



CAL LIGHTING

3625 E. Philadelphia St. Ontario CA. 91761. Tel: 909.947.5200. Fax: 909.947.5673. www.calighting.com. service@calighting.com.
Specifications subject to change without notice

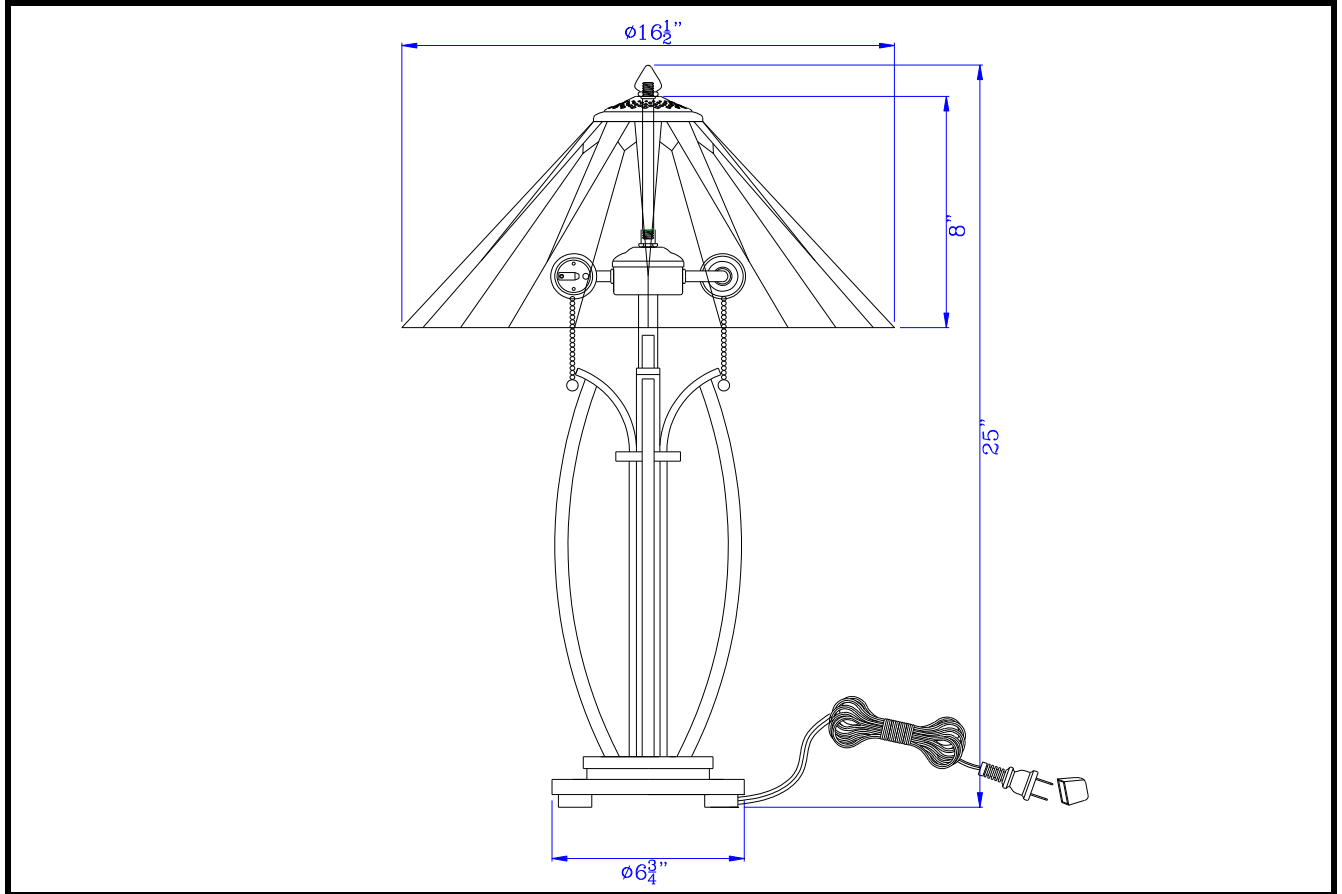
Type: _____

Project: _____

Catalog No.: _____

BO-3105TB

Lamp/Wattage: _____



- Model No:** BO-3105TB
- Description:** 60W x 2 metal/resin Tiffany table lamp with pull chain switches
- Material:** Resin
- Finish :** Black
- Height:** 25"
- Base Width:** Dia.6 3/4"
- Wattage :** 60W X 2
- Socket :** Medium Base (E26)
- Switch:** ON/Off
- Bulb:** Incandescent
- Wire Length:** 6'
- Wire Color:** Black
- Shade No:**
- Material:** Tiffany
- Shade size:** Dia.16 1/2" H8"

Certificate :  c UL us