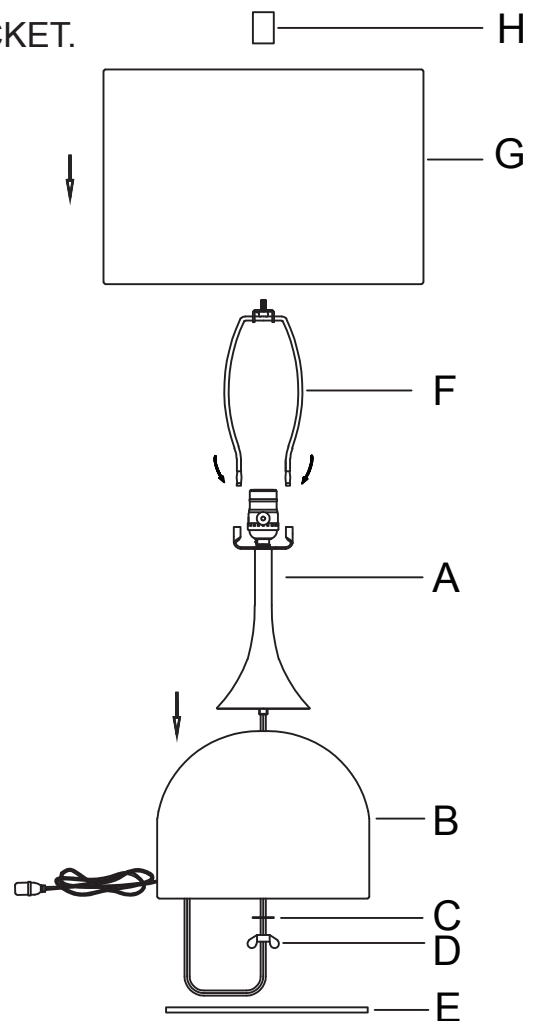


ASSEMBLY INSTRUCTIONS

ITEM NO:BO-3098TB-2

CAREFULLY UNPACK AND PLACE ALL PARTS ON A SMOOTH SURFACE.

1. SCREW SOCKET ASSEMBLY (A) ONTO LAMP BASE (B), THEN TIGHTEN WITH WASHER (C) BY BUTTERFLY NUT (D) TO TIGHTEN.
2. GET THE REMAINING SLACK OF THE POWER CORD OUT FROM BASE HOLD. PUT THE FELT PAD (E) TO THE BOTTOM OF THE BASE (B).
3. INSERT HARP (F) TO THE SADDLE (A) .
4. PLACE SHADE (G) ONTO HARP (F) BY FINIAL (H) CLOCKWISE TO TIGHTEN.
5. INSTALL BULB (NOT INCLUDED) INTO THE SOCKET.
6. INSERT THE POWER PLUG INTO AN OUTLET AND ENJOY !!



Use MAX 100 Wattage type A bulb (bulb not included)

IMPORTANT SAFETY INSTRUCTIONS:

THIS PORTABLE LAMP HAS A POLARIZED PLUG (ONE BLADE IS WIDER THAN THE OTHER) AS A FEATURE TO REDUCE THE RISK OF ELECTRIC SHOCK. THIS PLUG WILL FIT IN A POLARIZED OUTLET ONLY ONE WAY. IF IT DOES NOT FIT FULLY IN THE OUTLET, REVERSE THE PLUG. IF IT STILL DOES NOT FIT, CONTACT A QUALIFIED ELECTRICIAN. NEVER USE WITH AN EXTENSION CORD UNLESS THE PLUG CAN BE FULLY INSERTED. DO NOT ALTER THE PLUG.

SAVE THESE INSTRUCTIONS FOR FUTURE REFERENCE.