



CAL LIGHTING

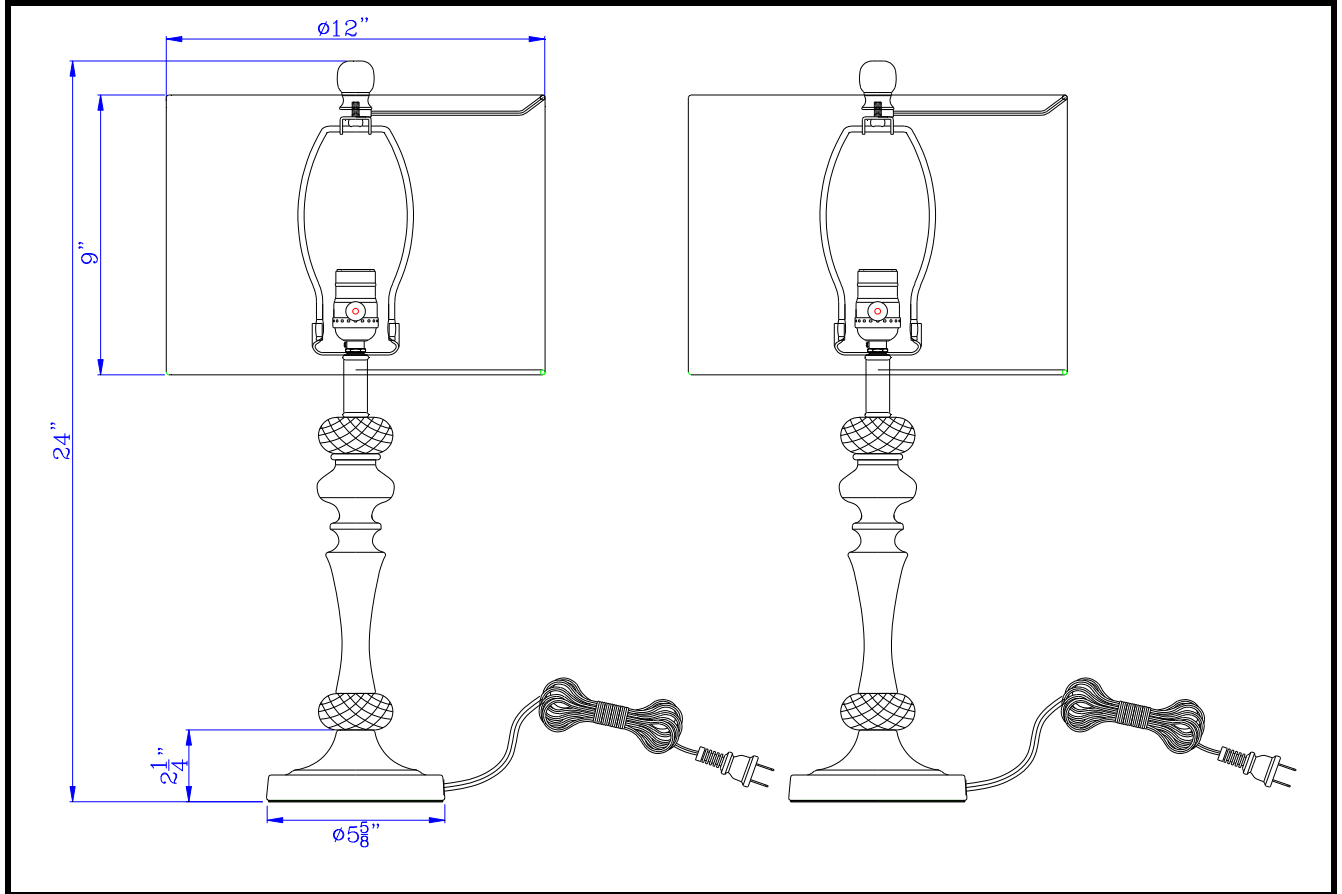
3625 E. Philadelphia St. Ontario CA. 91761. Tel: 909.947.5200. Fax: 909.947.5673. www.calighting.com. service@calighting.com.
Specifications subject to change without notice

Type: _____

Project: _____

Catalog No.: **BO-3097TB-2**

Lamp/Wattage: _____



- Model No:** BO-3097TB-2
- Description:** 60W Effingham table lamp with crystal font and hardback drum fabric shade (sold as pairs)
- Material:** Metal
- Finish :** Chrome
- Height:** 24"
- Base Width:** Dia.5 5/8"
- Wattage :** 60W
- Socket :** Medium Base (E26)
- Switch:** On/off
- Bulb:** Incandescent
- Wire Length:** 6'
- Wire Color:** Silver
- Shade No:**
- Material:** Fabric
- Shade size:** 12" X 12" X 9"

Certificate : 