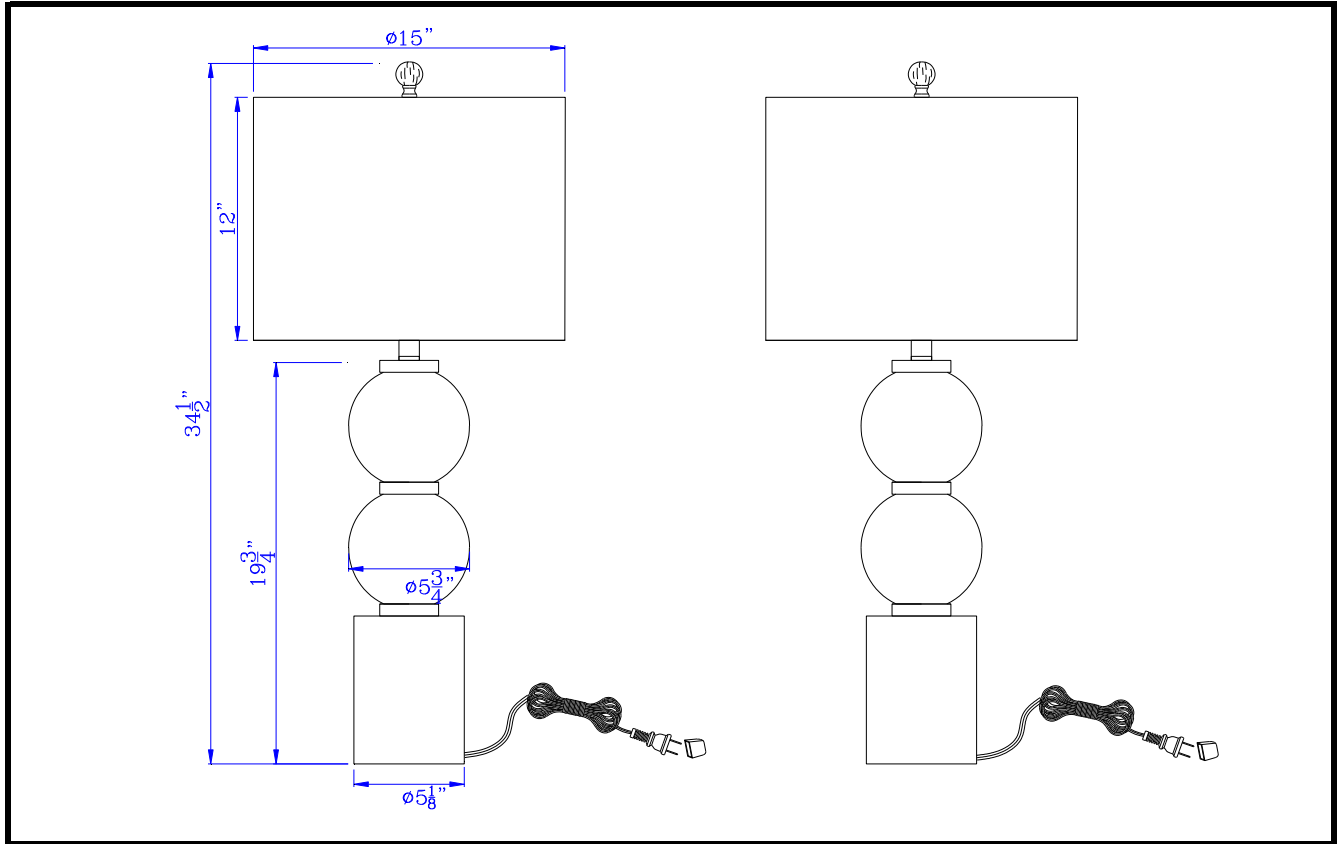




CAL LIGHTING

3625 E. Philadelphia St. Ontario CA. 91761. Tel: 909.947.5200. Fax: 909.947.5673. www.calighting.com. service@calighting.com.
Specifications subject to change without notice

Type: _____
Project: _____
Catalog No.: **BO-3091TB-2**
Lamp/Wattage: _____



- Model No:** BO-3091TB-2
- Description:** 150W 3 way Mystic glass/resin table lamp with drum fabric shade (sold as pairs)
- Material:** Resin
- Finish :** Textured Glass/Dark Oak
- Height:** 34 1/2"
- Base Width:** Dia.5 1/8"
- Wattage :** 150W
- Socket :** Medium Base (E26)
- Switch:** 3-Way
- Bulb:** Incandescent
- Wire Length:** 6'
- Wire Color:** Silver
- Shade No:**
- Material:** Fabric
- Shade size:** 15" X 15" X 12"

Certificate : 