



CAL LIGHTING

3625 E. Philadelphia St. Ontario CA. 91761. Tel: 909.947.5200. Fax: 909.947.5673. www.calighting.com. service@calighting.com.
Specifications subject to change without notice

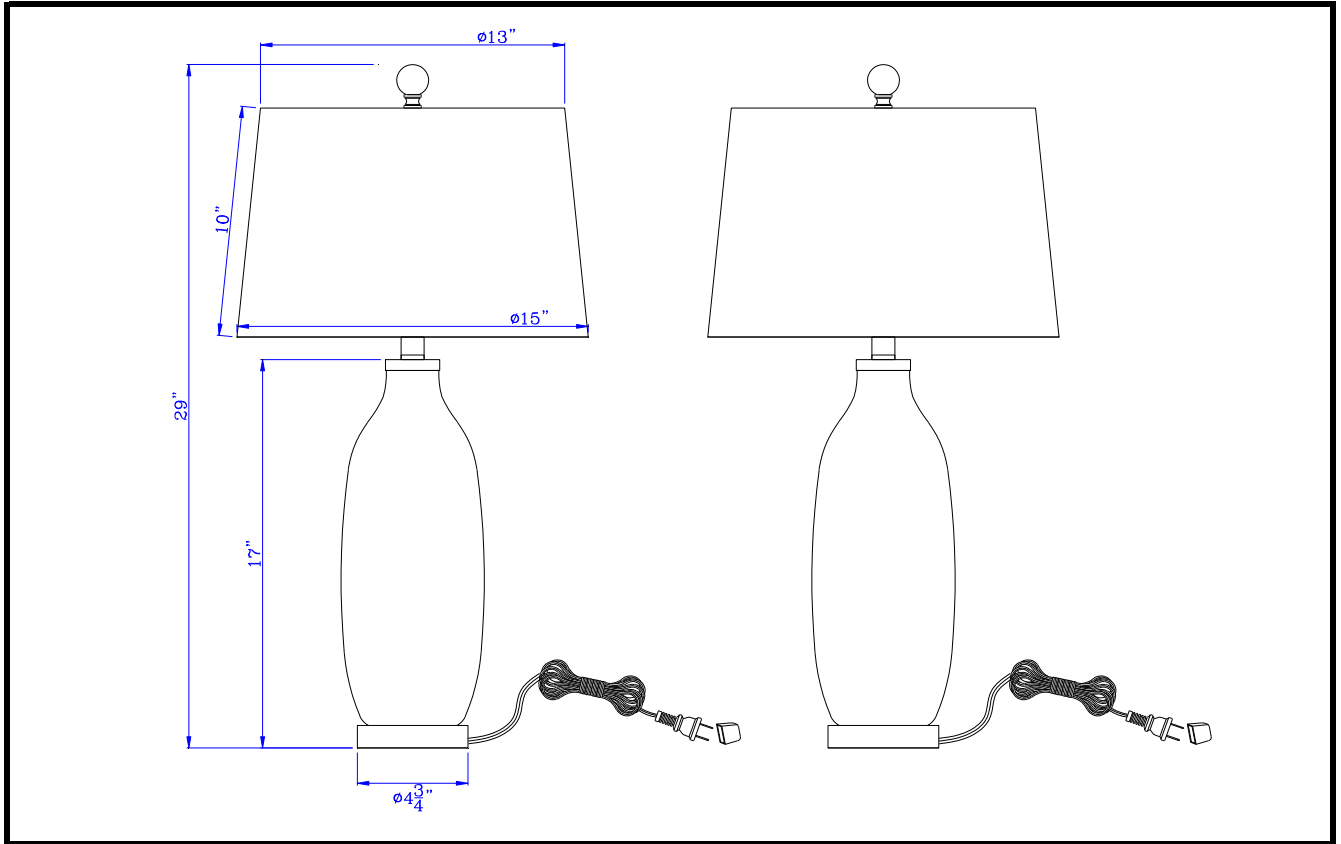
Type: _____

Project: _____

Catalog No.: _____

BO-3085TB-2

Lamp/Wattage: _____



- Model No:** BO-3085TB-2
- Description:** Cullman table lamp w/ crystal base and hardback taper drum fabric shade (sold as pairs)
- Material:** Crystal
- Finish :** Aqua
- Height:** 29"
- Base Width:** Dia.4 3/4"
- Wattage :** 150W
- Socket :** Medium Base (E26)
- Switch:** 3-Way
- Bulb:** Incandescent
- Wire Length:** 6'
- Wire Color:** Silver
- Shade No:**
- Material:** Fabric
- Shade size:** 13" X 15" X 10"
- Certificate :** 