



# CAL LIGHTING

3625 E. Philadelphia St. Ontario CA. 91761. Tel: 909.947.5200. Fax:  
909.947.5673. www.calighting.com. service@calighting.com.  
Specifications subject to change without notice

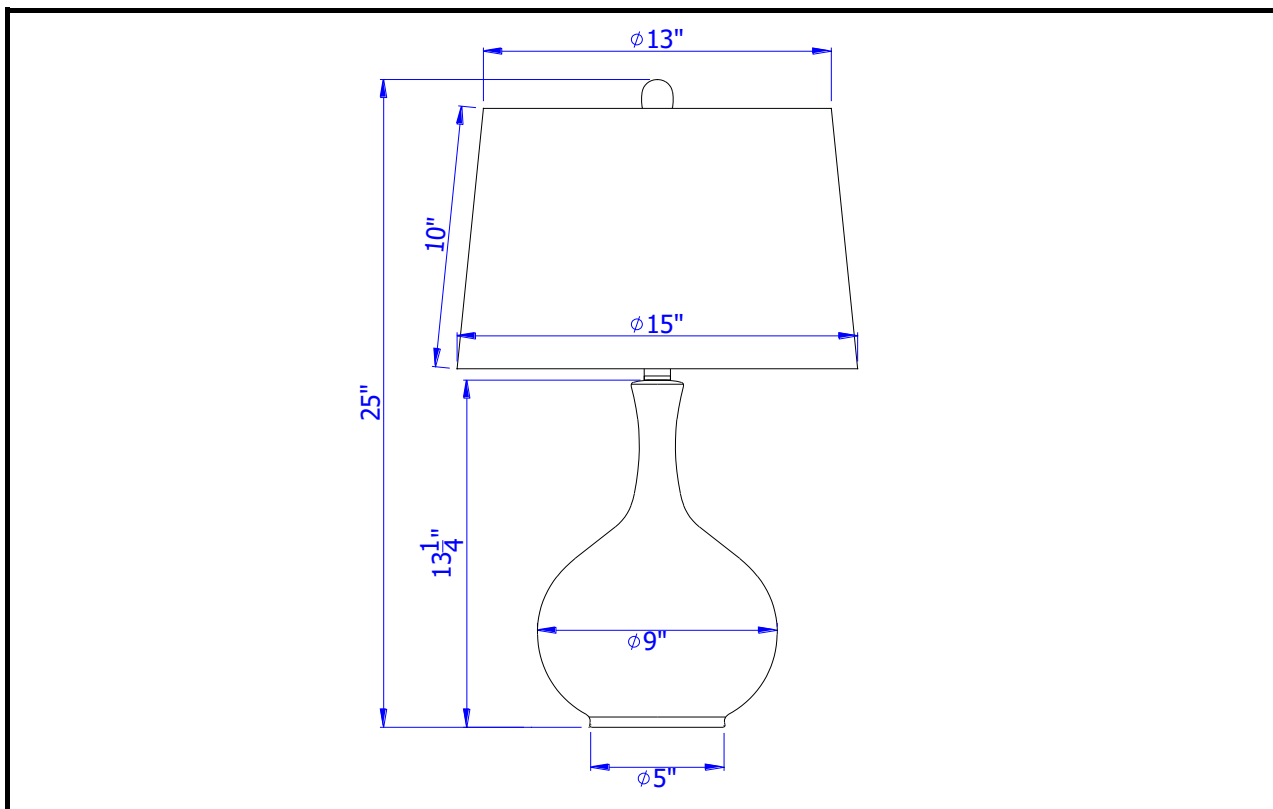
Type: \_\_\_\_\_

Project: \_\_\_\_\_

Catalog No.: \_\_\_\_\_

BO-3036TB

Lamp/Wattage: \_\_\_\_\_



- Model No:** BO-3036TB  
**Description:** Vernate ceramic table lamp with hardback taper drum shade  
**Material:** Ceramic  
**Finish :** Distressed Stone  
**Height:** 25"  
**Base Width:** Dia.5"  
**Wattage :** 150W  
**Socket :** Medium Base (E26)  
**Switch:** 3-WAY  
**Bulb:** Incandescent, CFL  
**Wire Length:** 6'  
**Wire Color:** Silver  
**Shade No:**  
**Material:** Fabric  
**Shade size:** 13"X15"X10"  
**Certificate :** 