



# CAL LIGHTING

3625 E. Philadelphia St. Ontario CA. 91761. Tel: 909.947.5200. Fax: 909.947.5673. www.calighting.com. service@calighting.com.  
Specifications subject to change without notice

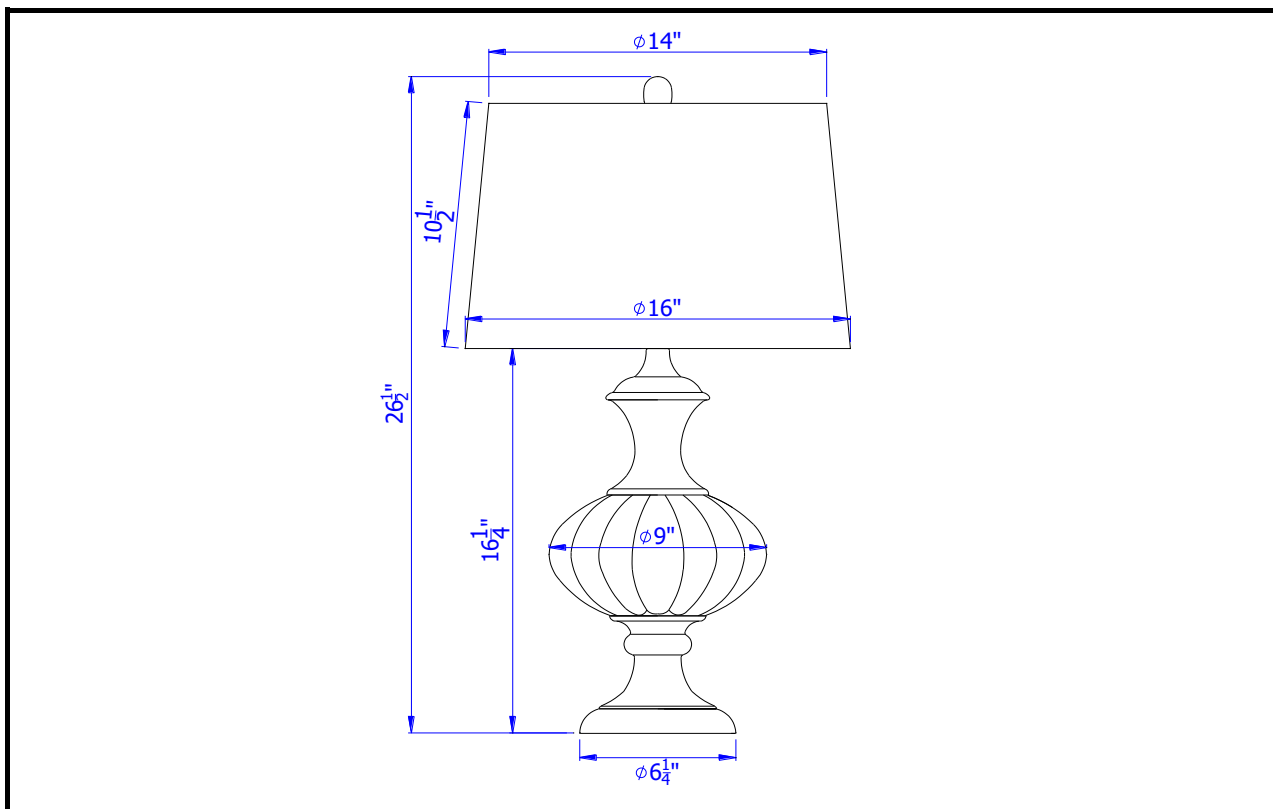
Type: \_\_\_\_\_

Project: \_\_\_\_\_

Catalog No.: \_\_\_\_\_

BO-3035TB

Lamp/Wattage: \_\_\_\_\_



- Model No:** BO-3035TB  
**Description:** Ossona metal/glass table lamp with hardback taper drum shade  
**Material:** Glass/Metal  
**Finish :** Chrome/Crackle  
**Height:** 26 1/2"  
**Base Width:** Dia.6 1/4"  
**Wattage :** 150W  
**Socket :** Medium Base (E26)  
**Switch:** 3-WAY  
**Bulb:** Incandescent, CFL  
**Wire Length:** 6'  
**Wire Color:** Silver  
**Shade No:**  
**Material:** Fabric  
**Shade size:** 14"X16"X10 1/2"  
**Certificate :** 