



CAL LIGHTING

3625 E. Philadelphia St. Ontario CA. 91761. Tel: 909.947.5200. Fax: 909.947.5673. www.calighting.com. service@calighting.com.
Specifications subject to change without notice

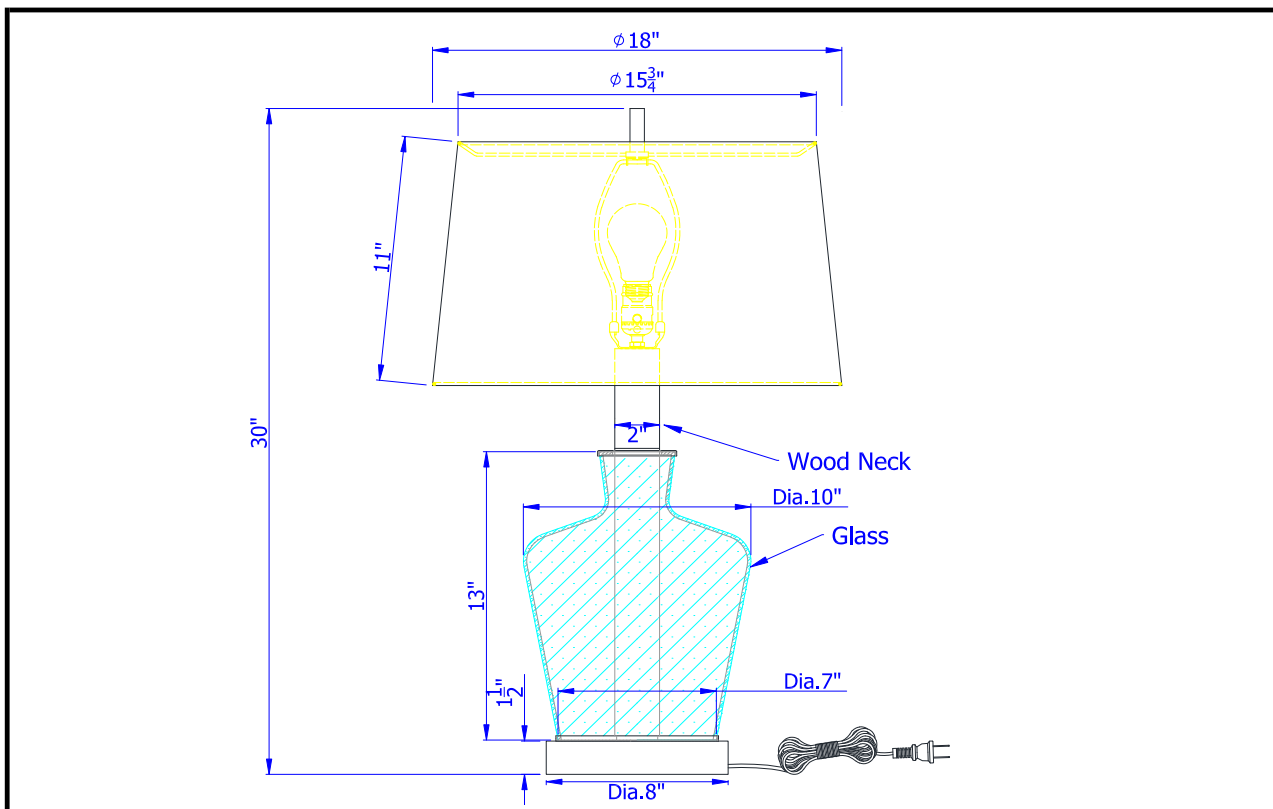
Type: _____

Project: _____

Catalog No.: _____

BO-3031TB

Lamp/Wattage: _____



- Model No:** BO-3031TB
Description: Salford Glass/Wood table lamp with taper drum hardback shade
Material: Glass
Finish : Glass/BassWood
Height: 30"
Base Width: Dia.8"
Wattage : 150W
Socket : Medium Base (E26)
Switch: 3-WAY
Bulb: Incandescent, CFL
Wire Length: 6'
Wire Color: Brown
Shade No:
Material: Fabric
Shade size: 15 3/4"X18"X11"

Certificate :

