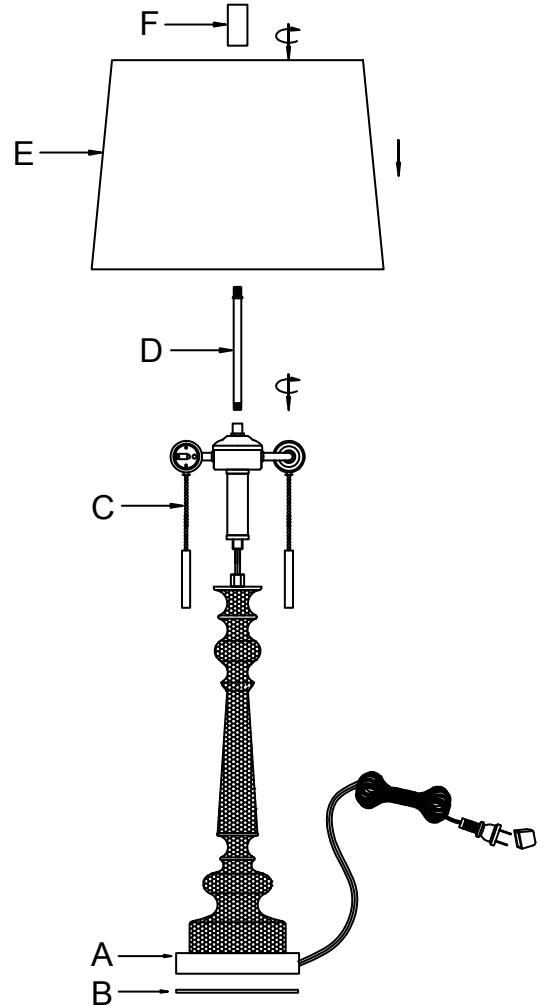


ASSEMBLY INSTRUCTIONS

ITEM NO: BO-3024TB

CAREFULLY UNPACK AND PLACE ALL PARTS ON A SMOOTH SURFACE.

1. SCREW SOCKET ASSEMBLY (C) CLOCKWISE INTO LAMP BODY (A) TO TIGHTEN. PUT THE FELT PAD (B) TO THE BOTTOM OF THE BASE (A).
2. SCREW THE THREADED ROD (D) INTO THE SOCKET ASSEMBLY (C) TO TIGHTEN.
3. REMOVE THE FINIAL (F) FROM THE THREADED ROD (D), PLACE SHADE (E) ONTO THREADED ROD (D) BY FINIAL (F) CLOCKWISE TO TIGHTEN.
4. INSTALL BULB (NOT INCLUDED) INTO THE SOCKET.
5. INSERT THE POWER PLUG INTO AN OUTLET AND ENJOY !!



**Use Max 60W X 2 type A bulbs
(bulbs not included)**

** TO REDUCE THE RISK OF ELECTRIC SHOCK, ALWAYS UNPLUG FROM THE ELECTRICAL OUTLET BEFORE INSTALLATION.*

** THIS FIXTURE IS SUITABLE FOR DRY LOCATION ONLY.*

** THIS FIXTURE SHOULD ONLY BE CLEANED WITH A SOFT LINT FREE CLOTH DAMPLED WITH WATER. DO NOT USE ANY CHEMICAL OR ABUSIVE CLEANER AS THEY MAY DAMAGE THE SURFACE OF THE PRODUCTS.*

THIS PORTABLE LAMP HAS A POLARIZED PLUG (ONE BLADE IS WIDER THAN THE OTHER) AS A SAFETY FEATURE TO REDUCE THE RISK OF ELECTRIC SHOCK. THIS PLUG WILL FIT IN A POLARIZED OUTLET ONLY ONE WAY. IF IT DOES NOT FIT FULLY IN THE OUTLET, REVERSE THE PLUG. IF IT STILL DOES NOT FIT, CONTACT A QUALIFIED ELECTRICIAN. NEVER USE WITH AN EXTENSION CORD UNLESS THE PLUG CAN BE FULLY AND EASILY INSERTED. DO NOT ATTEMPT TO ALTER THE PLUG.

SAVE THESE INSTRUCTIONS FOR FUTURE REFERENCE.