



CAL LIGHTING

3625 E. Philadelphia St. Ontario CA. 91761. Tel: 909.947.5200. Fax: 909.947.5673. www.calighting.com. service@calighting.com.
Specifications subject to change without notice

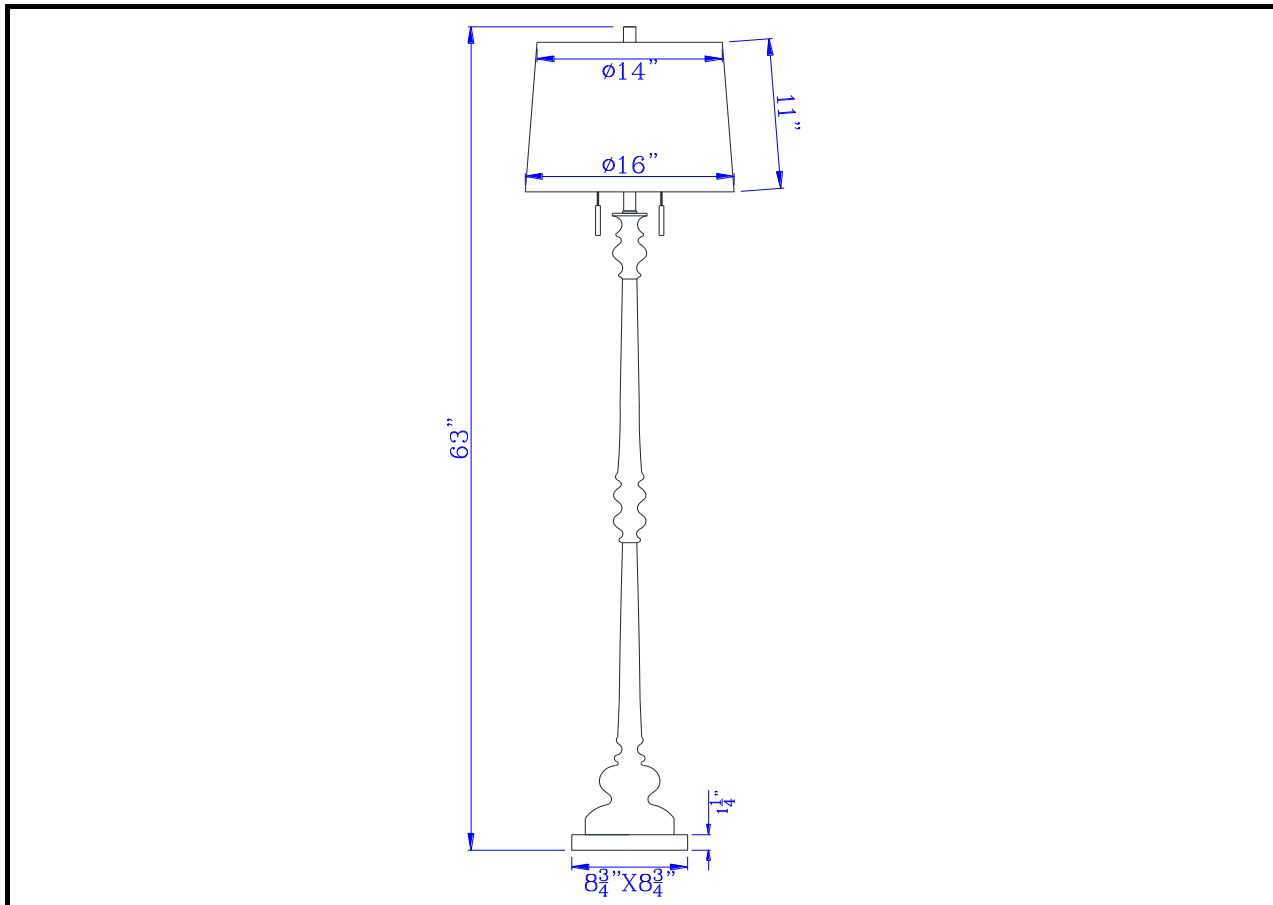
Type: _____

Project: _____

Catalog No.: _____

BO-3024FL

Lamp/Wattage: _____



- Model No:** BO-3024FL
Description: Torrington Resin Floor Lamp with Pull Chain Switch and Hardback Linen Shade
Material: Resin
Finish : Rustic Iron
Height: 63"
Reach/Depth: 16"
Base Width: 8 3/4"X8 3/4"
Wattage : 150W
Socket : Medium Base (E26)
Switch: 3-WAY
Bulb: Incandescent, CFL
Wire Length: 6'
Wire Color: Black
Shade No:
Material: Fabric
Shade size: 14"x16"x11"
Certificate : 