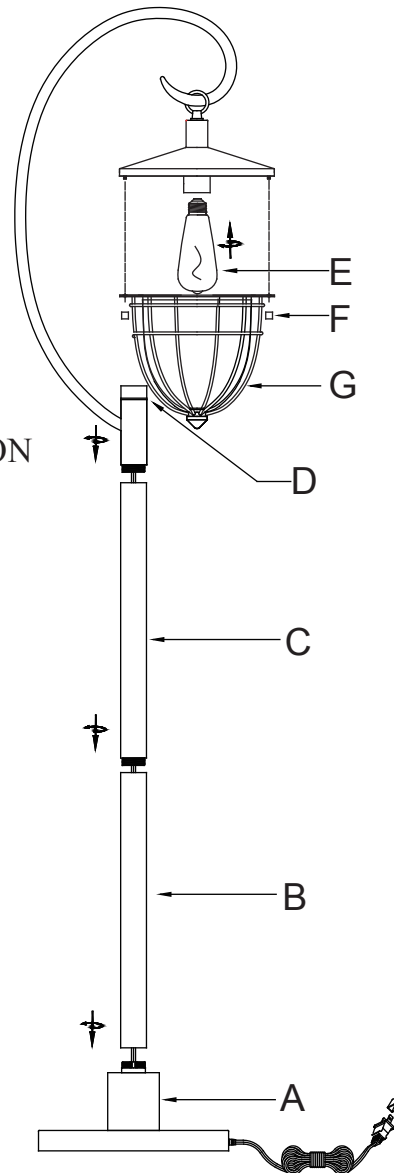


ASSEMBLY INSTRUCTIONS

ITEM NO:BO-2993FL

CAREFULLY UNPACK AND PLACE ALL PARTS ON A SMOOTH SURFACE.

1. SCREW POLE (B) CLOCKWISE INTO BASE (A) TO TIGHTEN.
2. SCREW POLE (C) CLOCKWISE INTO POLE (B) TO TIGHTEN.
3. SCREW ARCH PIPE CLOCKWISE INTO POLE (C) TO TIGHTEN.
4. INSTALL BULB (E) INTO THE SOCKET.
5. UNSCREW THE PREASSEMBLED THREE THUMB SCREWS (F) FROM THE SOCKET CUP, PLACE THE SHADE (G) OVER THE SOCKET AND SECURE BY RETIGHTENING THE THREE THUMB SCREWS (F) .
6. INSERT THE POWER PLUG INTO AN OUTLET.
7. USE THE ROTARY SWITCH (D) TO TURE LAMP ON AND ENJOY !!



Use MAX 60 Wattage type A bulb (60W Edison bulb included)

IMPORTANT SAFETY INSTRUCTIONS:

THIS PORTABLE LAMP HAS A POLARIZED PLUG (ONE BLADE IS WIDER THAN THE OTHER) AS A FEATURE TO REDUCE THE RISK OF ELECTRIC SHOCK. THIS PLUG WILL FIT IN A POLARIZED OUTLET ONLY ONE WAY. IF IT DOES NOT FIT FULLY IN THE OUTLET, REVERSE THE PLUG. IF IT STILL DOES NOT FIT, CONTACT A QUALIFIED ELECTRICIAN. NEVER USE WITH AN EXTENSION CORD UNLESS THE PLUG CAN BE FULLY INSERTED. DO NOT ALTER THE PLUG.

SAVE THESE INSTRUCTIONS FOR FUTURE REFERENCE.