



# CAL LIGHTING

3625 E. Philadelphia St. Ontario CA. 91761. Tel: 909.947.5200. Fax: 909.947.5673. www.calighting.com. service@calighting.com.  
Specifications subject to change without notice

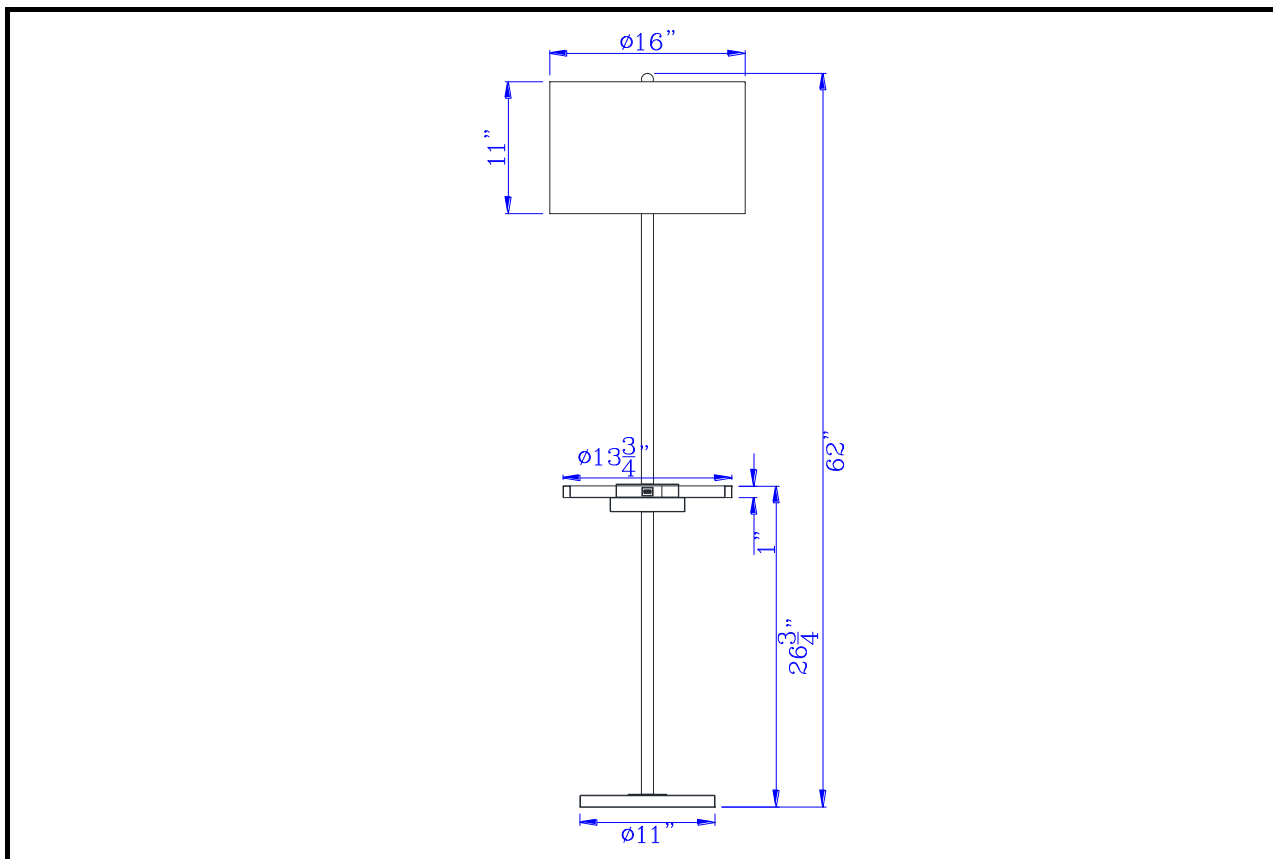
Type: \_\_\_\_\_

Project: \_\_\_\_\_

Catalog No.: \_\_\_\_\_

BO-2983FL-DB

Lamp/Wattage: \_\_\_\_\_



- Model No:** BO-2983FL-DB  
**Description:** 150W 3 way Crofton metal floor lamp with centered metal tray table with 2 USB charging ports and weighted metal base  
**Material:** Metal  
**Finish :** Brushed Steel  
**Height:** 62"  
**Reach/Depth:** 16"  
**Base Width:** Dia.11"  
**Wattage :** 150W  
**Socket :** Medium Base (E26)  
**Switch:** 3-WAY  
**Bulb:** Incandescent, CFL  
**USB Port:** 2  
**Wire Length:** 6'  
**Wire Color:** Dark Bronze  
**Shade No:**  
**Material:** Fabric  
**Shade size:** 16"x16"x11"

**Certificate :**

