



CAL LIGHTING

3625 E. Philadelphia St. Ontario CA. 91761. Tel: 909.947.5200. Fax: 909.947.5673. www.calighting.com. service@calighting.com.
Specifications subject to change without notice

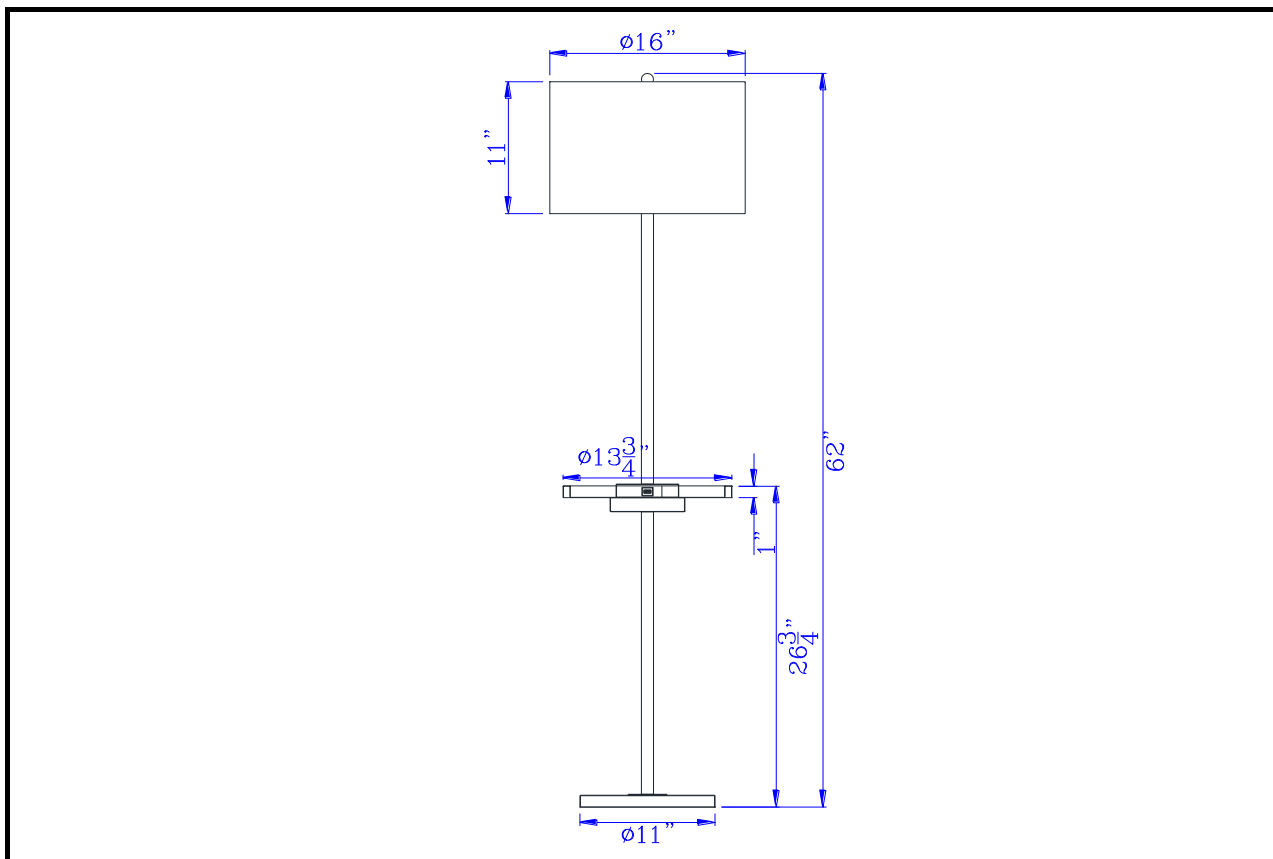
Type: _____

Project: _____

Catalog No.: _____

BO-2983FL-BS

Lamp/Wattage: _____



- Model No:** BO-2983FL-BS
Description: 150W 3 way Crofton metal floor lamp with centered metal tray table with 2 USB charging ports and weighted metal base
Material: metal
Finish : Brushed Steel
Height: 62"
Reach/Depth: 16"
Base Width: Dia.11"
Wattage : 150W
Socket : Medium Base (E26)
Switch: 3-WAY
Bulb: Incandescent, CFL
USB Port: 2
Wire Length: 6'
Wire Color: Silver
Shade No:
Material: Fabric
Shade size: 16"x16"x11"
Certificate :

