



CAL LIGHTING

3625 E. Philadelphia St. Ontario CA. 91761 • Tel: 909.947.5200 • Fax:
909.947.5673 • www.calighting.com • service@calighting.com •
Specifications subject to change without notice

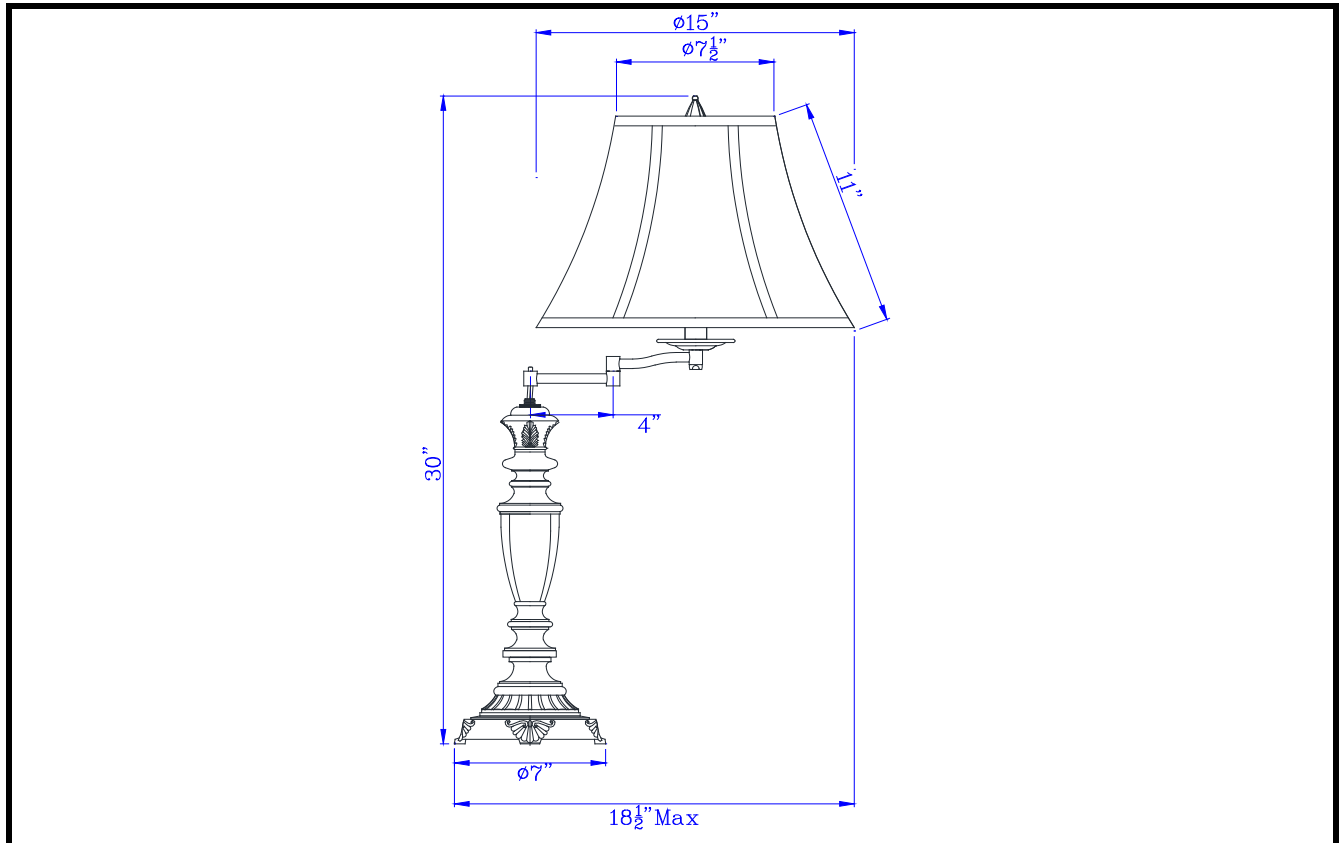
Type: _____

Project: _____

Catalog No.: _____

BO-2948TB

Lamp/Wattage: _____



- Model No:** BO-2948TB
Description: 150W 3 way Mayo aluminum casted swing arm table lamp with softback faux silk shade
Material: Aluminum cast
Finish : Dark Bronze
Height: 30"
Reach/Depth: 18 1/2"
Base Width: Dia. 7"
Wattage : 150W
Socket : Medium Base (E26)
Switch: 3-Way
Bulb: Incandescent, CFL
Wire Length: 6'
Wire Color: Black
Shade No:
Material: Fabric
Shade size: 7 1/2"x15"x11"

Certificate :

