



# CAL LIGHTING

3625 E. Philadelphia St. Ontario CA. 91761 • Tel: 909.947.5200 • Fax:  
909.947.5673 • www.calighting.com • service@calighting.com •  
Specifications subject to change without notice

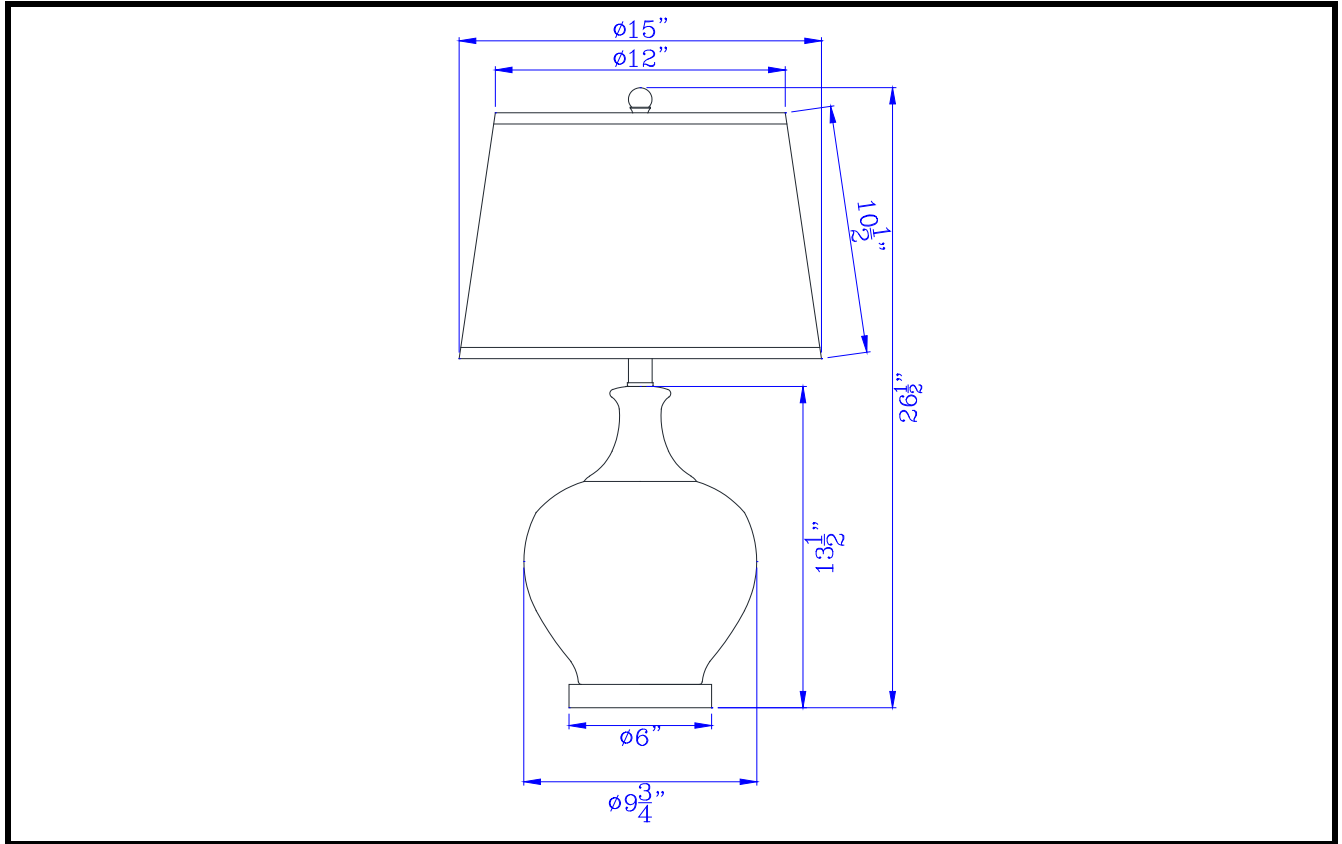
Type: \_\_\_\_\_

Project: \_\_\_\_\_

Catalog No.: \_\_\_\_\_

BO-2934TB

Lamp/Wattage: \_\_\_\_\_



- Model No:** BO-2934TB  
**Description:** 150W 3 way Harlingen ceramic table lamp with taper drum linen hardback shade  
**Material:** Ceramic  
**Finish :** Marble  
**Height:** 26 1/2"  
**Reach/Depth:** 15"  
**Base Width:** Dia.6"  
**Wattage :** 150W  
**Socket :** Medium Base (E26)  
**Switch:** 3-Way  
**Bulb:** Incandescent, CFL  
**Wire Length:** 6'  
**Wire Color:** Clear  
**Shade No:**  
**Material:** Fabric  
**Shade size:** 12"x15"x10 1/2"

**Certificate :**

