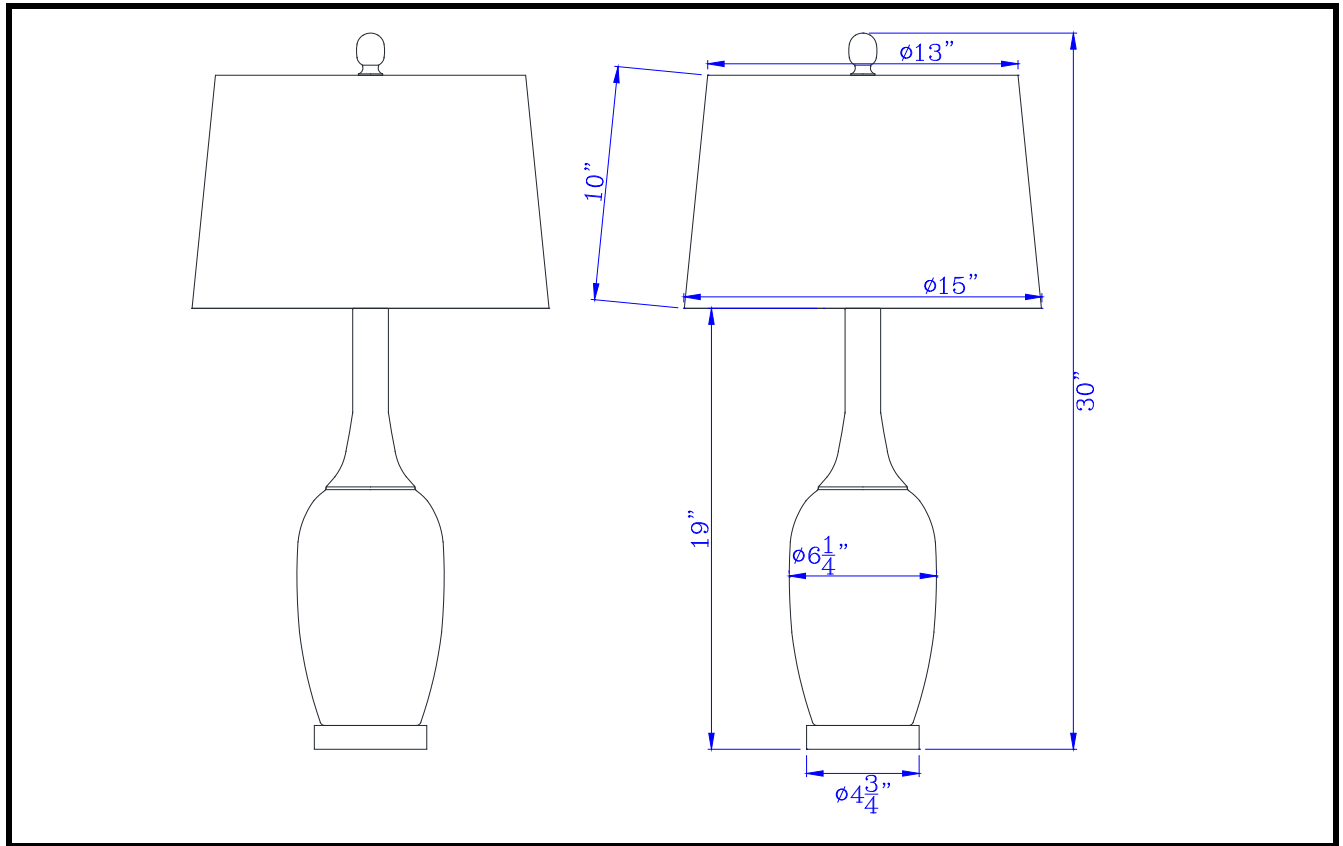




# CAL LIGHTING

3625 E. Philadelphia St. Ontario CA. 91761 • Tel: 909.947.5200 • Fax:  
909.947.5673 • www.calighting.com • service@calighting.com •  
Specifications subject to change without notice

Type: \_\_\_\_\_  
Project: \_\_\_\_\_  
Catalog No.: **BO-2914TB-2**  
Lamp/Wattage: \_\_\_\_\_



- Model No:** BO-2914TB-2
- Description:** 150W Paxton ceramic table lamp w/ leaf design and taper drum hardback fabric shade (Priced/sold as pairs)
- Material:** Glass
- Finish :** Pearl/Black
- Height:** 30"
- Reach/Depth:** 16"
- Base Width:** Dia.4 3/4"
- Wattage :** 150W
- Socket :** Medium Base (E26)
- Switch:** 3-Way
- Bulb:** Incandescent, CFL
- Wire Length:** 6'
- Wire Color:** Clear
- Shade No:**
- Material:** Fabric
- Shade size:** 13"x15"x10"

Certificate :

