

ASSEMBLY INSTRUCTIONS

ITEM NO:BO-2891TB

CAREFULLY UNPACK AND PLACE ALL PARTS ON A SMOOTH SURFACE.

1.SCREW SOCKET ASSEMBLY (D) CLOCKWISE INTO POLE (E) TO TIGHTEN.

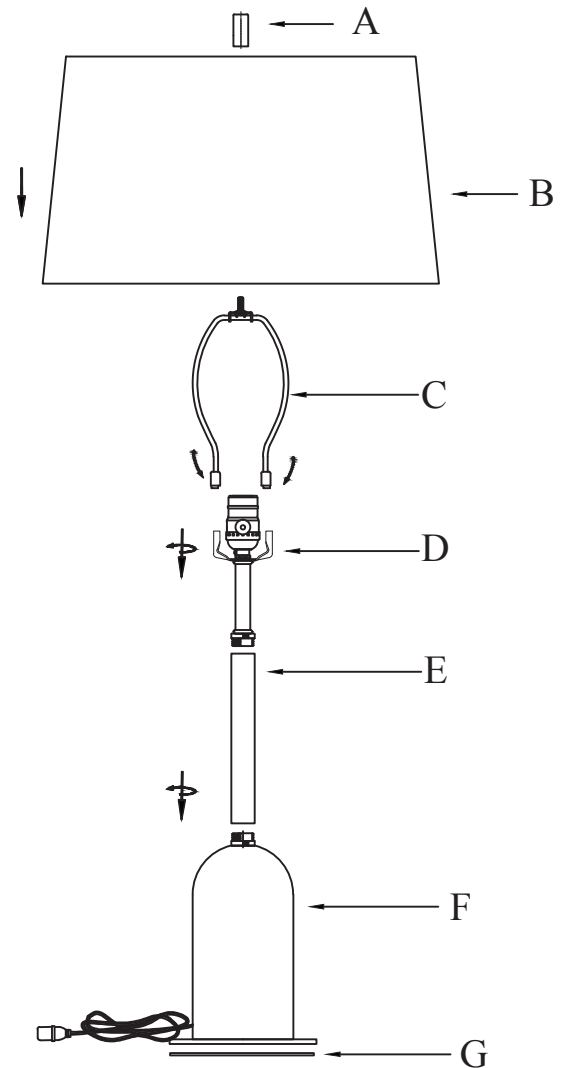
2.SCREW POLE (E) CLOCKWISE INTO BASE (F) TO TIGHTEN.
THEN PLACE THE FELT PAD (G) TO THE BOTTOM OF THE BASE .

3.INSERT HARP (C) TO THE SADDLE (D) .

4.PLACE SHADE (B) ONTO HARP (C) SCREW
FINIAL (A) CLOCKWISE TO TIGHTEN.

5.INSTALL BULB (NOT INCLUDED) INTO
THE SOCKET.

6.INSERT THE POWER PLUG INTO AN OUTLET
AND ENJOY !!



Use 3-way MAX 150 Wattage type A bulb (bulb not included)

IMPORTANT SAFETY INSTRUCTIONS:

THIS PORTABLE LAMP HAS A POLARIZED PLUG (ONE BLADE IS WIDER THAN THE OTHER) AS A FEATURE TO REDUCE THE RISK OF ELECTRIC SHOCK. THIS PLUG WILL FIT IN A POLARIZED OUTLET ONLY ONE WAY. IF IT DOES NOT FIT FULLY IN THE OUTLET, REVERSE THE PLUG. IF IT STILL DOES NOT FIT, CONTACT A QUALIFIED ELECTRICIAN. NEVER USE WITH AN EXTENSION CORD UNLESS THE PLUG CAN BE FULLY INSERTED. DO NOT ALTER THE PLUG.

SAVE THESE INSTRUCTIONS FOR FUTURE REFERENCE.