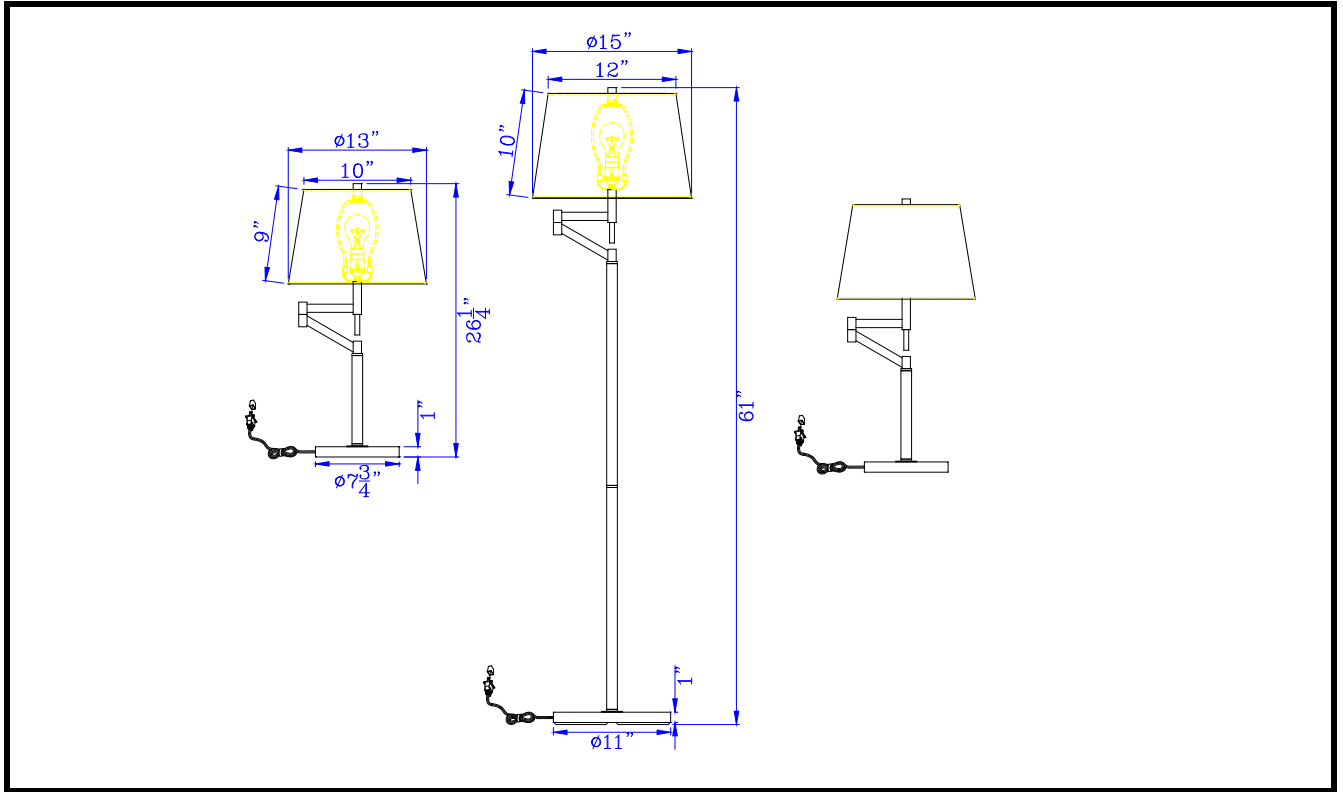




CAL LIGHTING

3625 E. Philadelphia St. Ontario CA. 91761 • Tel: 909.947.5200 • Fax:
909.947.5673 • www.calighting.com • service@calighting.com •
Specifications subject to change without notice

Type: _____
Project: _____
Catalog No.: _____
Lamp/Wattage: _____



- Model No:** BO-2874-3-DB
- Description:** 3 Pcs package, 2 x swing arm table lamp and 1x swing arm floor lamp all in one box
- Material:** Metal
- Finish :** Dark Bronze
- Height:** 61" 26 1/4"
- Reach/Depth:** 15" 13"
- Base Width:** Dia.11" Dia.7 3/4"
- Wattage :** 100W X 3
- Socket :** Medium Base (E26)
- Switch:** ON/Off
- Bulb:** Incandescent, CFL
- USB:**
- Outlet:**
- Wire Length:** 6'
- Wire Color:** Brown
- Shade No:**
- Material:** Fabric
- Shade size:** 12"x15"x10" 10"x13"x9"
- Certificate :**

