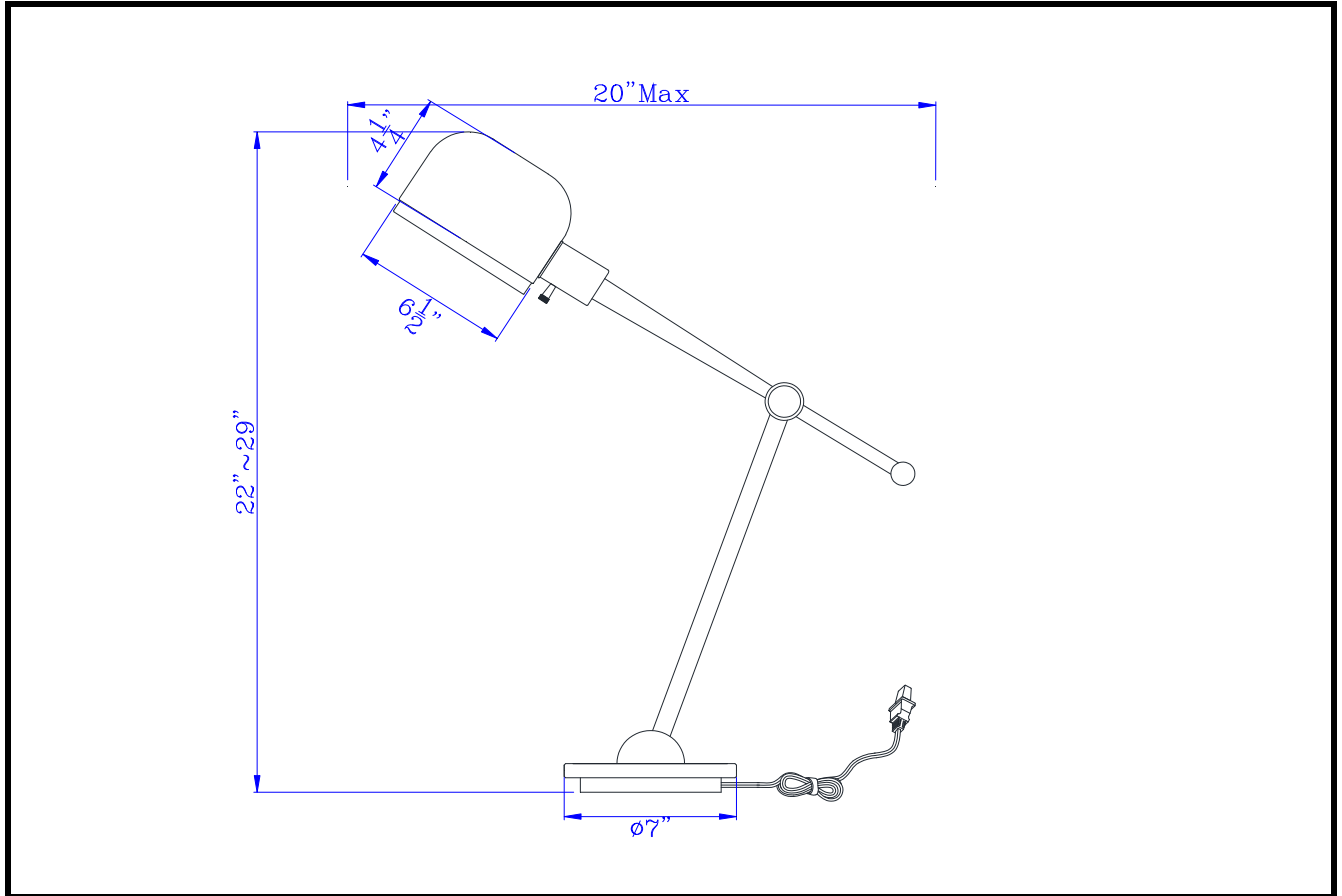




# CAL LIGHTING

3625 E. Philadelphia St. Ontario CA. 91761. Tel: 909.947.5200. Fax:  
909.947.5673. www.calighting.com. service@calighting.com.  
Specifications subject to change without notice

Type: \_\_\_\_\_  
Project: \_\_\_\_\_  
Catalog No.: \_\_\_\_\_  
Lamp/Wattage: \_\_\_\_\_



**Model No:** BO-2765DK  
**Description:** 60W Allendale metal desk lamp with marble base and metal shade  
**Material:** Metal  
**Finish :** DB (Dark Bronze)  
**Height:** 22"~29"  
**Reach/Depth:** 20"  
**Base Width:** Dia.7"  
**Wattage :** 60W  
**Socket :** Medium Base (E26)  
**Switch:** On/Off  
**Bulb:** Incandescent, CFL  
**Wire Length:** 6'  
**Shade No:**  
**Material:** Metal  
**Shade size:** Dia.6 1/2" H:4 1/4"

**Certificate :**

