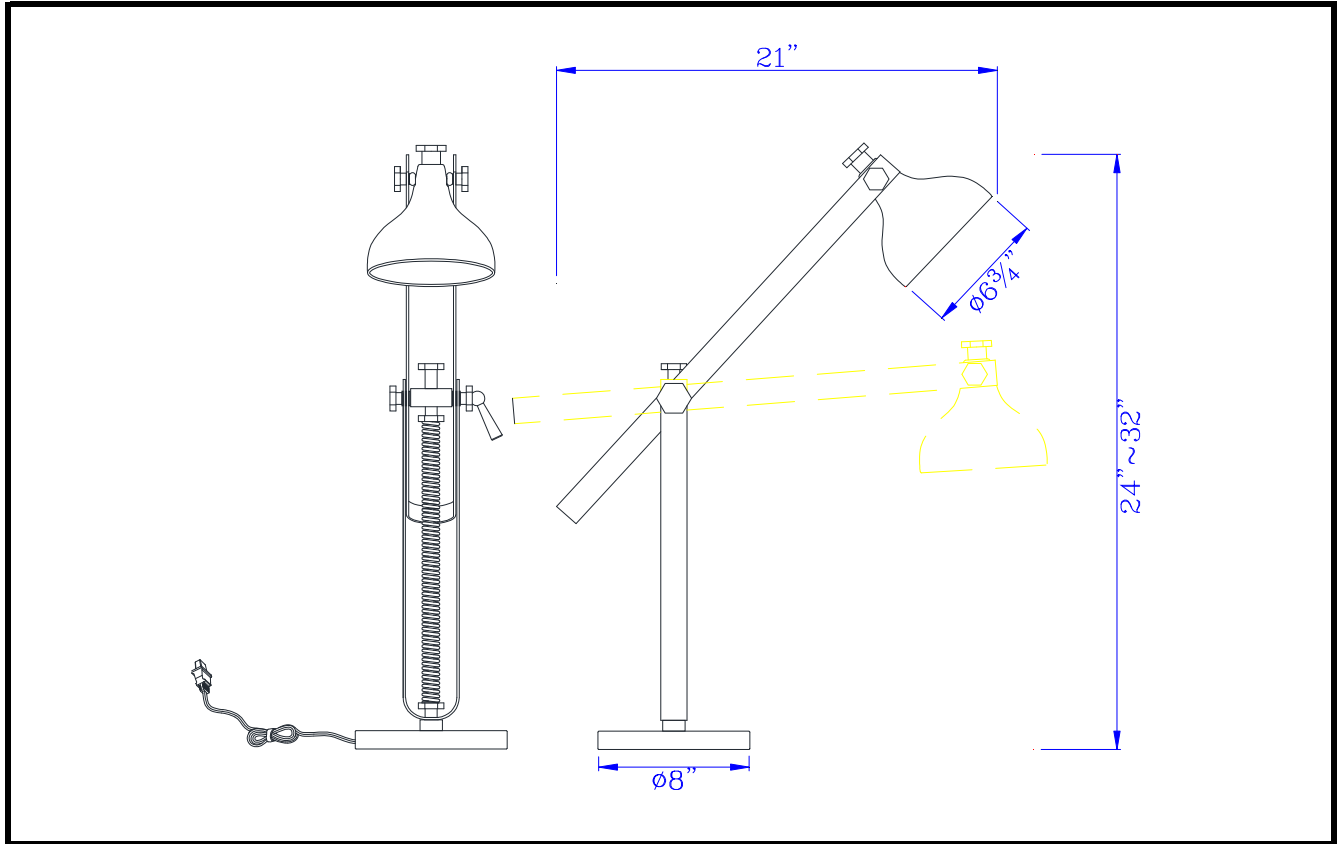




CAL LIGHTING

3625 E. Philadelphia St. Ontario CA. 91761. Tel: 909.947.5200. Fax: 909.947.5673. www.calighting.com. service@calighting.com.
Specifications subject to change without notice

Type: _____
Project: _____
Catalog No.: _____
Lamp/Wattage: _____



Model No: BO-2739DK
Description: 60W Latina adjustable desk lamp
Material: Metal
Finish : Dark Bronze
Height: 24"~32"
Reach: 21"
Base Width: Dia.8"
Wattage : 60W
Socket : Medium Base (E26)
Switch: On/off
Bulb: Incandescent, CFL
Wire Length: 6'
Wire Color: Black
Shade No:
Material: Metal
Shade size: Dia. 6 3/4"
Certificate :

