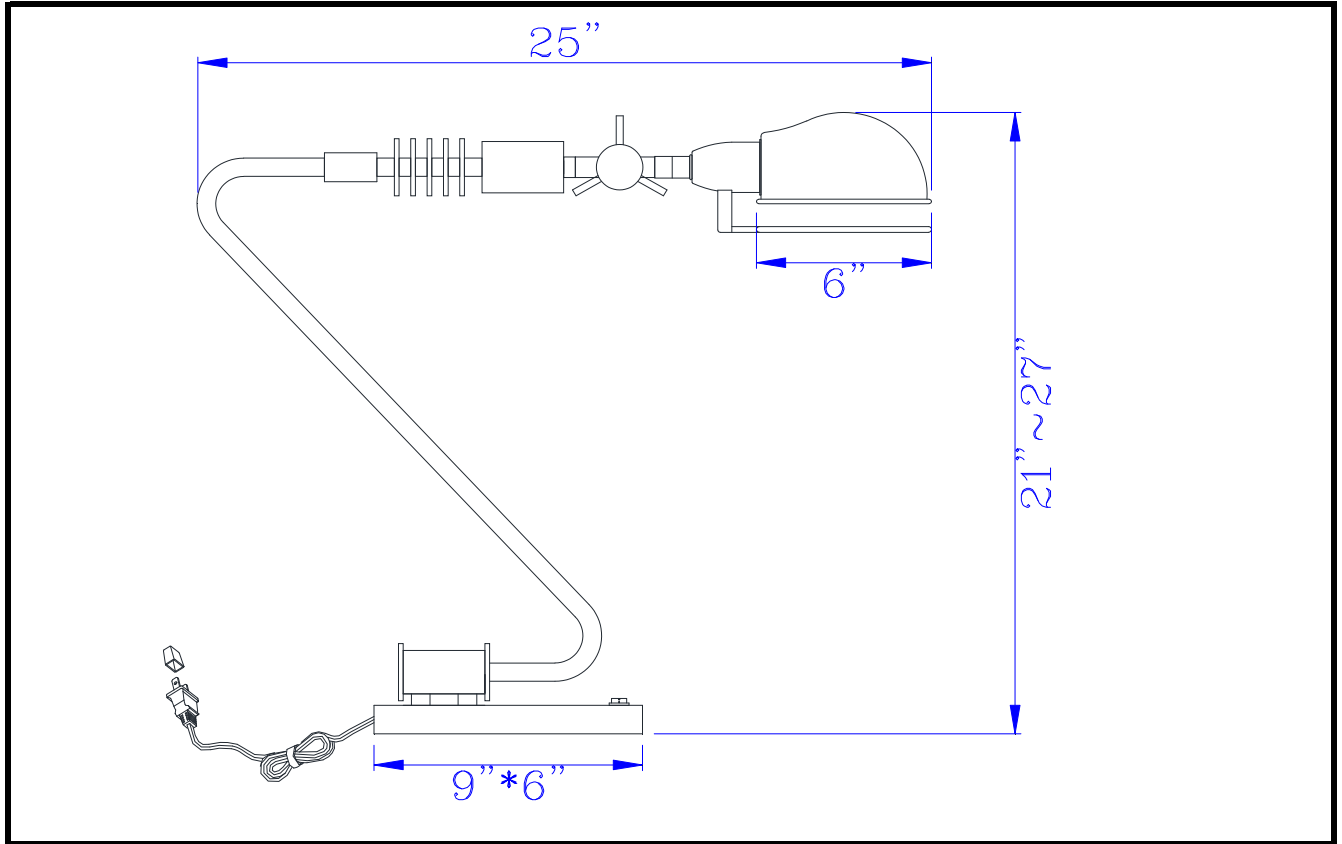




CAL LIGHTING

3625 E. Philadelphia St. Ontario CA. 91761. Tel: 909.947.5200. Fax:
909.947.5673. www.calighting.com. service@calighting.com.
Specifications subject to change without notice

Type: _____
Project: _____
Catalog No.: _____
Lamp/Wattage: _____



- Model No:** BO-2734DK
- Description:** 60W adjustable desk lamp
- Material:** Metal
- Finish :** Dark Bronze
- Height:** 21"~27"
- Reach:** 25"
- Base Width:** 9"x6"
- Wattage :** 60W
- Socket :** Medium Base (E26)
- Switch:** On/off
- Bulb:** Incandescent, CFL
- Wire Length:** 6'
- Wire Color:** Black
- Shade No:**
- Material:** Metal
- Shade size:** Dia.6"
- Warranty:** Three Years

Certificate : 