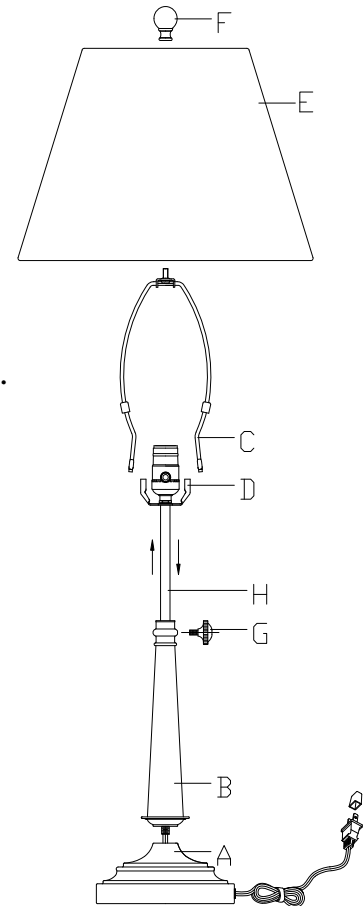


ASSEMBLY INSTRUCTIONS:

ITEM NO.: BO-2671TB

1. CAREFULLY UNPACK AND PLACE ALL PARTS ON A SMOOTH SURFACE AND LAY THEM UP AS PER THE SKETCH.
2. SCREW TUBE SECTION(B) INTO THE BASE(A), LOOSE NUT (G), THEN ADJUST THE UP AND DOWN TUBE (H) TO THE RIGHT HEIGHT, THEN TIGHTEN NUT (G). IF DIFFICULT TO ADJUST THE UP AND DOWN TUBE (H) TO DOWN, PLEASE PULL THE CORD FROM THE BASE FIRST.
3. SCREW HARP(C) INTO SADDLE OF THE SOCKET (D).
4. PUT SHADE (E) ONTO HARP (C) TIGHTEN IN WITH FINIAL (F), AND ADJUST THE LEVEL OF SHADE.
5. INSERT THE POLARIZED PLUG INTO OUTLET, TURN ON THE SWITCH AND ENJOY YOUR LAMP.



**USE 3-WAY 150 WATTAGE
(MAXIMUM) TYPE A BULB (BULB
NOT INCLUDED)**

IMPORTANT SAFETY INSTRUCTIONS:

THIS PORTABLE LAMP HAS A POLARIZED PLUG (ONE BLADE IS WIDER THAN THE OTHER) AS A SAFETY FEATURE TO REDUCE THE RISK OF ELECTRIC SHOCK. THIS PLUG WILL FIT IN A POLARIZED OUTLET ONLY ONE WAY. IF IT DOES NOT FIT FULLY IN THE OUTLET, REVERSE THE PLUG. IF IT STILL DOES NOT FIT, CONTACT A QUALIFIED ELECTRICIAN. NEVER USE WITH AN EXTENSION CORD UNLESS THE PLUG CAN BE FULLY AND EASILY INSERTED. DO NOT ATTEMPT TO ALTER THE PLUG.

SAVE THESE INSTRUCTIONS FOR FUTURE REFERENCE.