



CAL LIGHTING

3625 E. Philadelphia St. Ontario CA. 91761 • Tel: 909.947.5200 • Fax:
909.947.5673 • www.calighting.com • service@calighting.com •
Specifications subject to change without notice

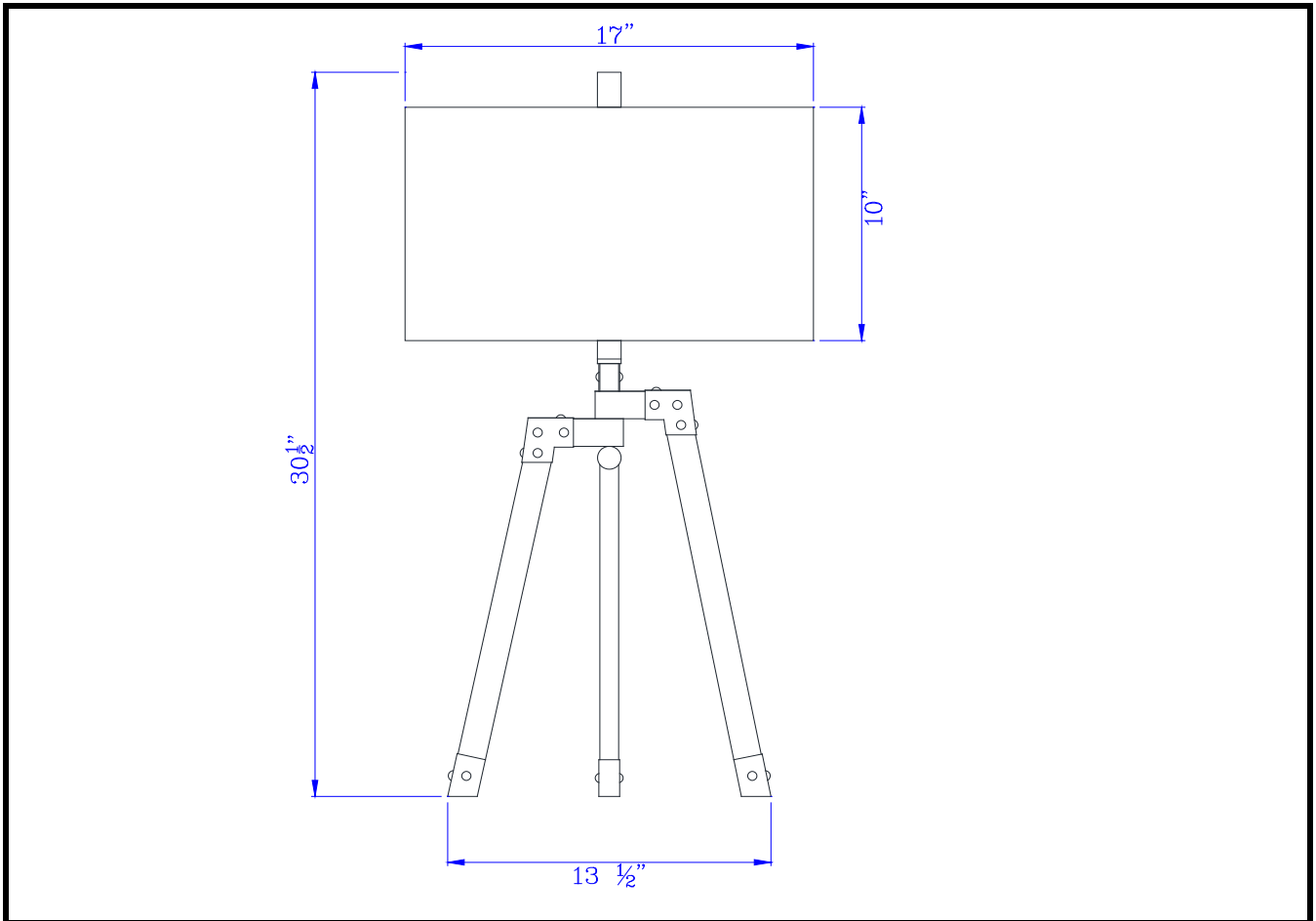
Type: _____

Project: _____

Catalog No.: _____

Lamp/Wattage: _____

Drawing:



- Model No:** BO-2626TB
- Description:** 150W 3 way metal Tripod table lamp with hardback linen shade
- Material:** Metal
- Finish :** Iron
- Height:** 30 1/2"
- Width:** 17"
- Wattage :** 150W
- Socket :** Medium Base (E27)
- Bulb:** Incandescent
- Chain Length:**
- Wire Length:** 6'
- Wire Color:** Black
- Shade No:**
- Material:** Linen
- Shade size:** 17"x17"x10"
- Certificate :** 