



CAL LIGHTING

3625 E. Philadelphia St. Ontario CA. 91761 • Tel: 909.947.5200 • Fax:
909.947.5673 • www.calighting.com • service@calighting.com •
Specifications subject to change without notice

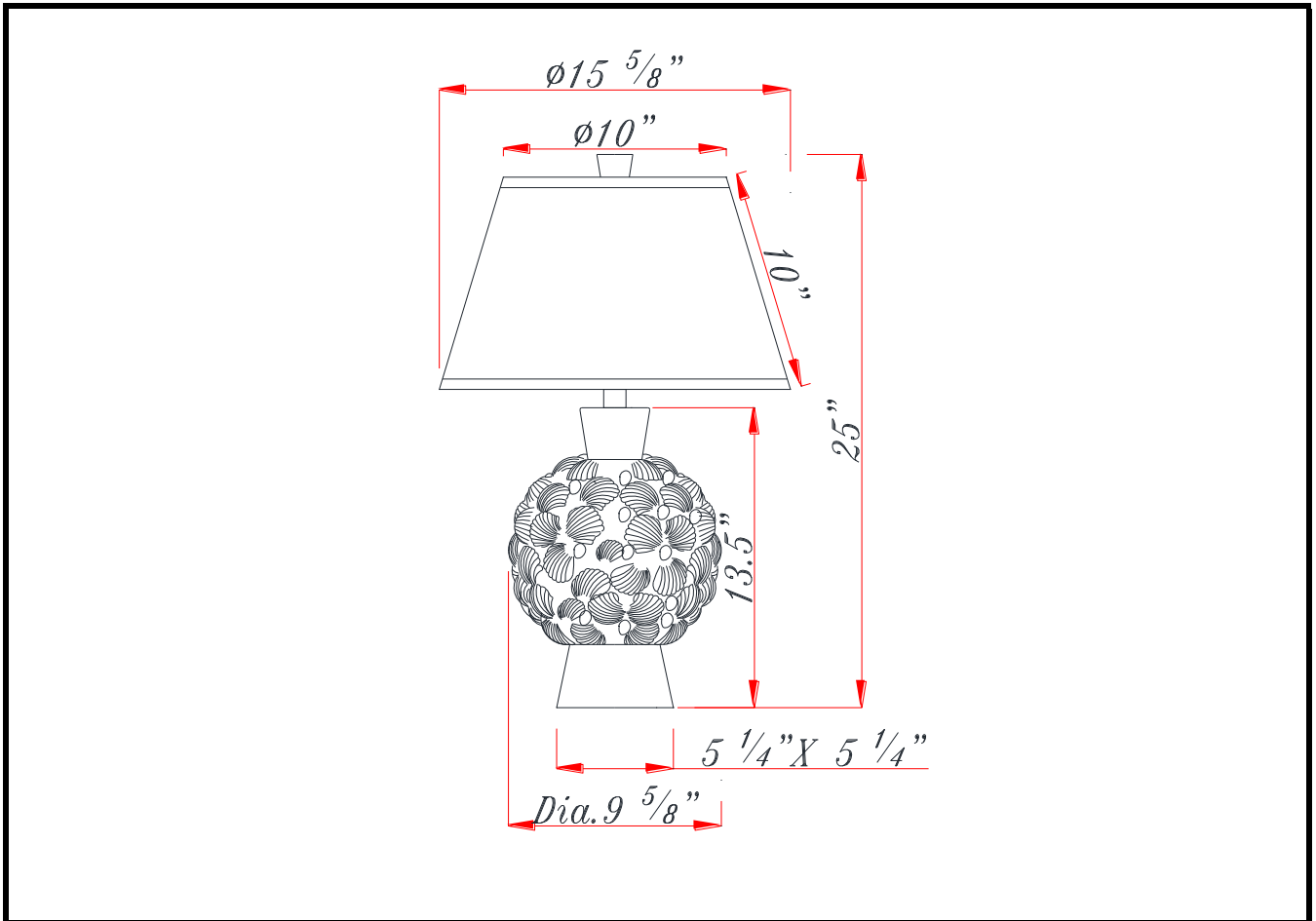
Type: _____

Project: _____

Catalog No.: _____

Lamp/Wattage: _____

Drawing:



Model No: BO-2614TB
Description: 150W 3 way Seashell resin table lamp with hardback fabric shade
Material: Resin
Finish : Shell
Height: 25"
Base Width: 5 1/4" x 5 1/4"
Wattage : 150W
Socket : E26
Bulb: 3-Way Rotary Socket Switch
Shade No:
Material: Linen
Shade size: 10X15 5/8"X10"

Certificate :

