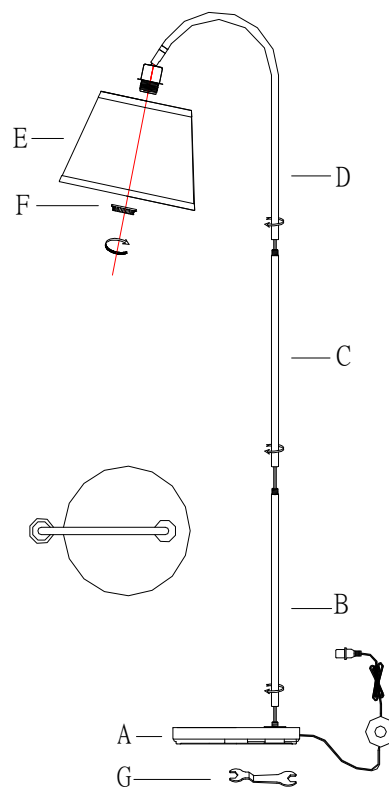


## ASSEMBLY INSTRUCTIONS:

### ITEM NO.: BO-2573FL

1. Carefully unpack and lay out all parts on smooth surface.
2. Screw Metal Tube(B),(C) and Bend Tube (D) into Base(A) one by one.
3. If the bend tube direction not same as below sketch, loosen off the bottom nut of Base(A) by Wrench(G), adjust the direction as per the sketch, tighten by Wrench(G).
4. Place Shade(E) on the socket of Bend Tube(D) and tighten it by Outer Ring(F).
5. **Your lamp now is ready to enjoy after screw a bulb on it.**

**Use 60 Wattage (Maximum) type A bulb (Bulb not included)**



## IMPORTANT SAFETY INSTRUCTIONS:

THIS PORTABLE LAMP HAS A POLARIZED PLUG (ONE BLADE IS WIDER THAN THE OTHER) AS A SAFETY FEATURE TO REDUCE THE RISK OF ELECTRIC SHOCK. THIS PLUG WILL FIT IN A POLARIZED OUTLET ONLY ONE WAY. IF IT DOES NOT FIT FULLY IN THE OUTLET, REVERSE THE PLUG. IF IT STILL DOES NOT FIT, CONTACT A QUALIFIED ELECTRICIAN. NEVER USE WITH AN EXTENSION CORD UNLESS THE PLUG CAN BE FULLY AND EASILY INSERTED. DO NOT ATTEMPT TO ALTER THE PLUG.

**SAVE THESE INSTRUCTIONS FOR FUTURE REFERENCE.**