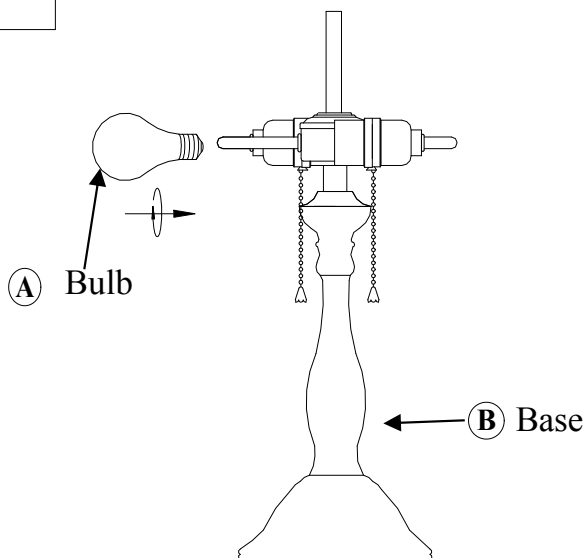


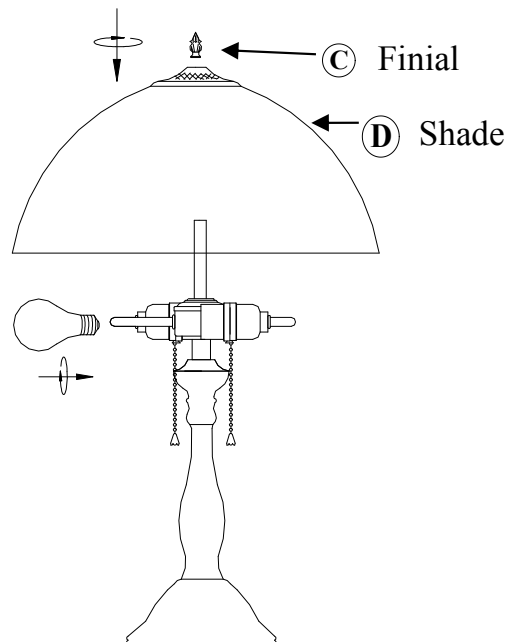
# INSTALLATION DIAGRAMS AND CAUTIONS

1



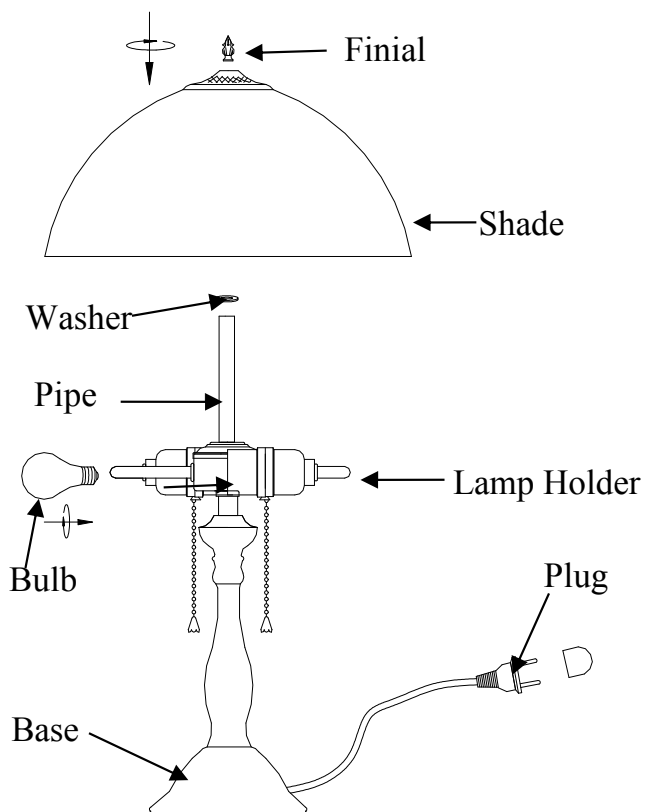
Screw on the bulb (A) make sure this is done with the power off.

2



Put the shade (D) on and screw the finial (C) on.

3



## CAUTIONS

\*Do not install the lamp with the power on.

\*Stay away from fire, direct sunshine and high temperature.

\*Never use it in the wet location

If the external flexible cable or cord of this luminaire is damaged, it shall be exclusively replaced by the manufacturer or his service agent or a similar qualified person in order to avoid a hazard.