



# CAL LIGHTING

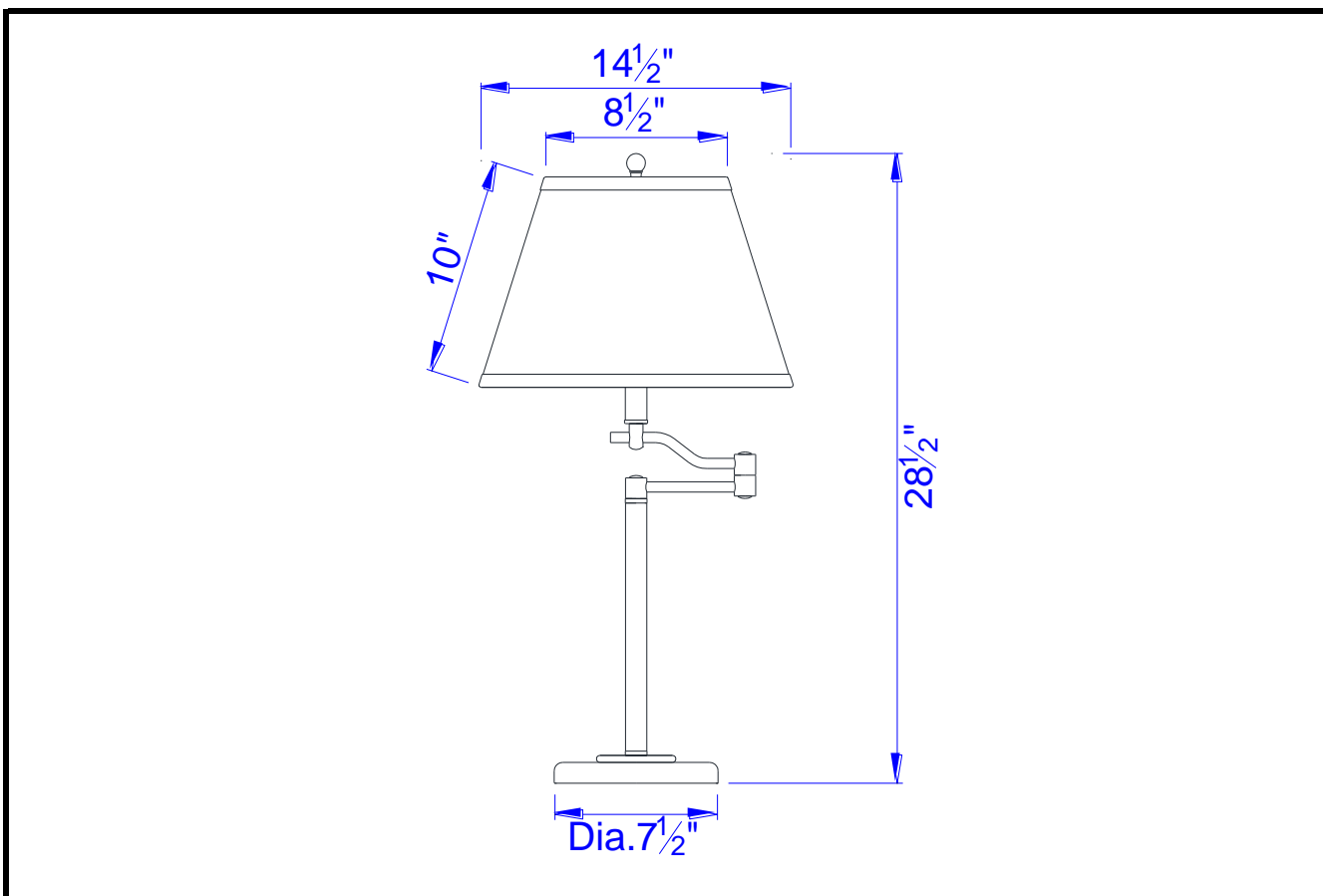
3625 E. Philadelphia St. Ontario CA. 91761 • Tel: 909.947.5200 • Fax:  
909.947.5673 • www.calighting.com • service@calighting.com •  
Specifications subject to change without notice

Type: \_\_\_\_\_

Project: \_\_\_\_\_

Catalog No.: \_\_\_\_\_

Lamp/Wattage: \_\_\_\_\_



- Model No:** BO-2350TB
- Description:** Dana Swing Arm Table Lamp
- Material:** Metal
- Finish :** DB (Dark Bronze)
- Height:** 28 1/2"
- Base Width:** Dia.7 1/2"
- Wattage :** 150W
- Socket :** Medium Base (E27)
- Switch:** 3-way
- Bulb:** Incandescent, CFL
- Wire Length:** 6'
- Wire Color:** Black
- Shade No:** SH-1425
- Material:** Linen
- Shade size:** 8 1/2"X14 1/2"X10"

**Certificate :**

