



CAL LIGHTING

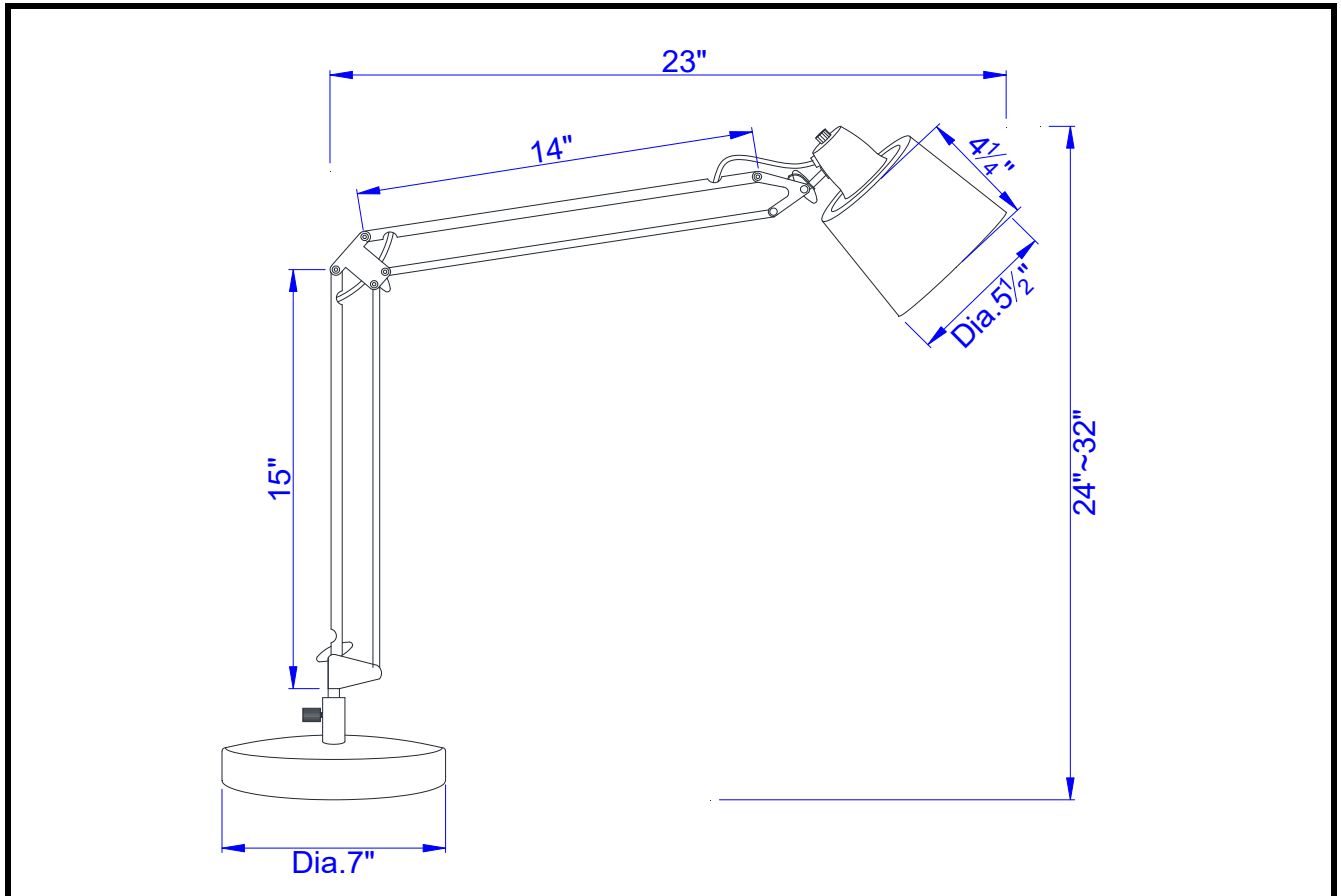
3625 E. Philadelphia St. Ontario CA. 91761. Tel: 909.947.5200. Fax: 909.947.5673. www.calighting.com. service@calighting.com.
Specifications subject to change without notice

Type: _____

Project: _____

Catalog No.: _____

Lamp/Wattage: _____



Model No: BO-2165TB

Description: Udbina Metal Desk Lamp with Adjustable Arms and Swivel Head

Material: Metal

Finish : BS (Brushed Steel)

Height: 24"~32"

Reach: 23"

Base Width: Dia.7"

Wattage : 60W

Socket : Medium Base (E27)

Switch: On/off

Bulb: Incandescent, CFL

Wire Length: 6'

Wire Color: Silver

Shade No:

Material: Metal

Shade size: 5 1/2"x5 1/2"x4 1/4"

Certificate :

