



CAL LIGHTING

3625 E. Philadelphia St. Ontario CA. 91761 • Tel: 909.947.5200 • Fax:
909.947.5673 • www.calighting.com • service@calighting.com •
Specifications subject to change without notice

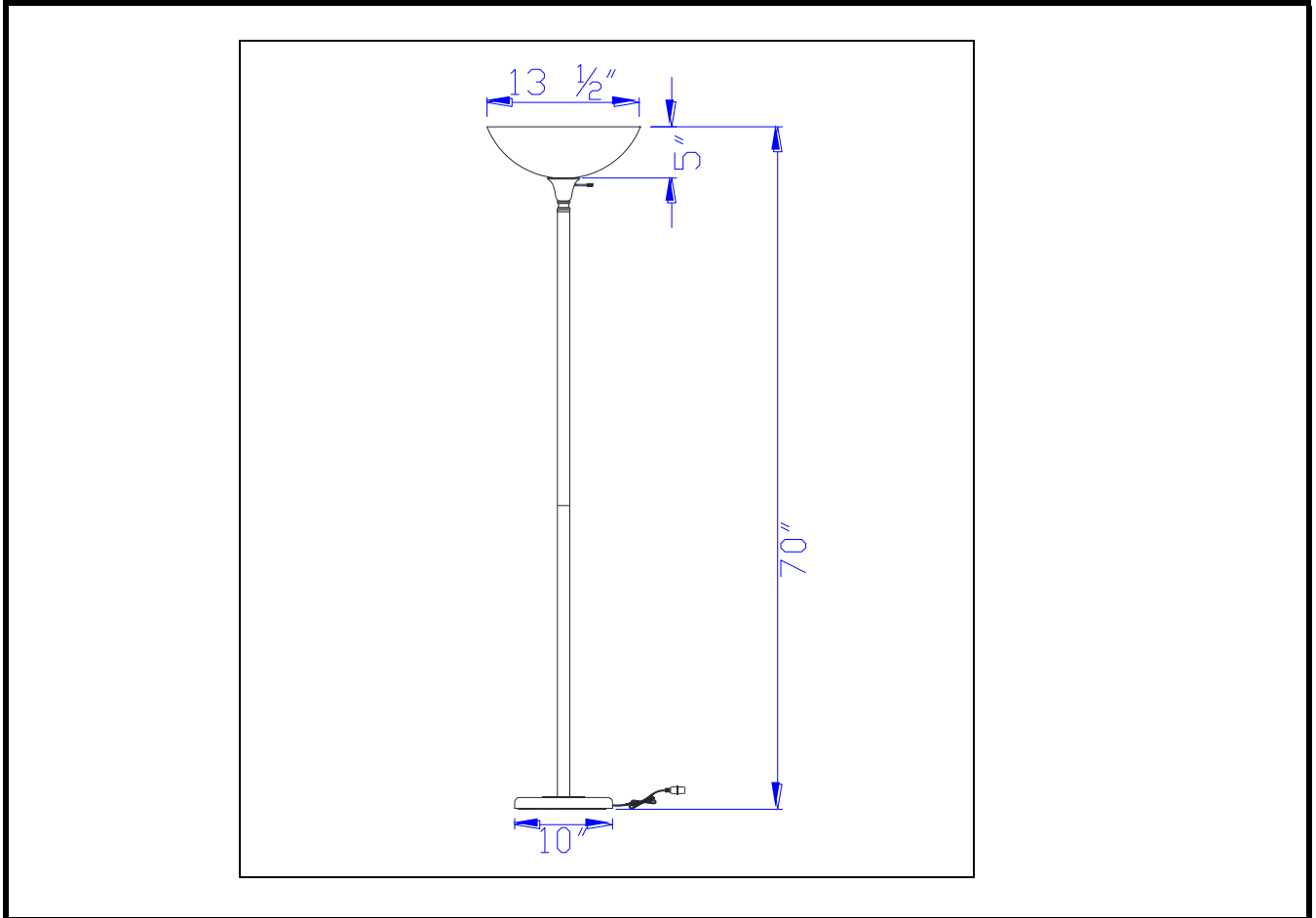
Type: _____

Project: _____

Catalog No.: _____

Lamp/Wattage: _____

Drawing:



- Model No:** BO-2055
- Description:** Metal Torchiere with Glass Shade
- Material:** Metal
- Finish :** BS (Brushed Steel)
- Height:** 70"
- Base Width:** Dia.10"
- Wattage :** 150W
- Socket :** Medium Base (E27)
- Switch:** 3-way
- Bulb:** Incandescent, CFL
- Wire Length:** 6'
- Wire Color:** Silver
- Shade No:**
- Material:** Glass
- Shade size:** Dia.13 1/2" H 5"

Certificate :

