



CAL LIGHTING

3625 E. Philadelphia St. Ontario CA. 91761. Tel: 909.947.5200. Fax:
909.947.5673. www.calighting.com. service@calighting.com.
Specifications subject to change without notice

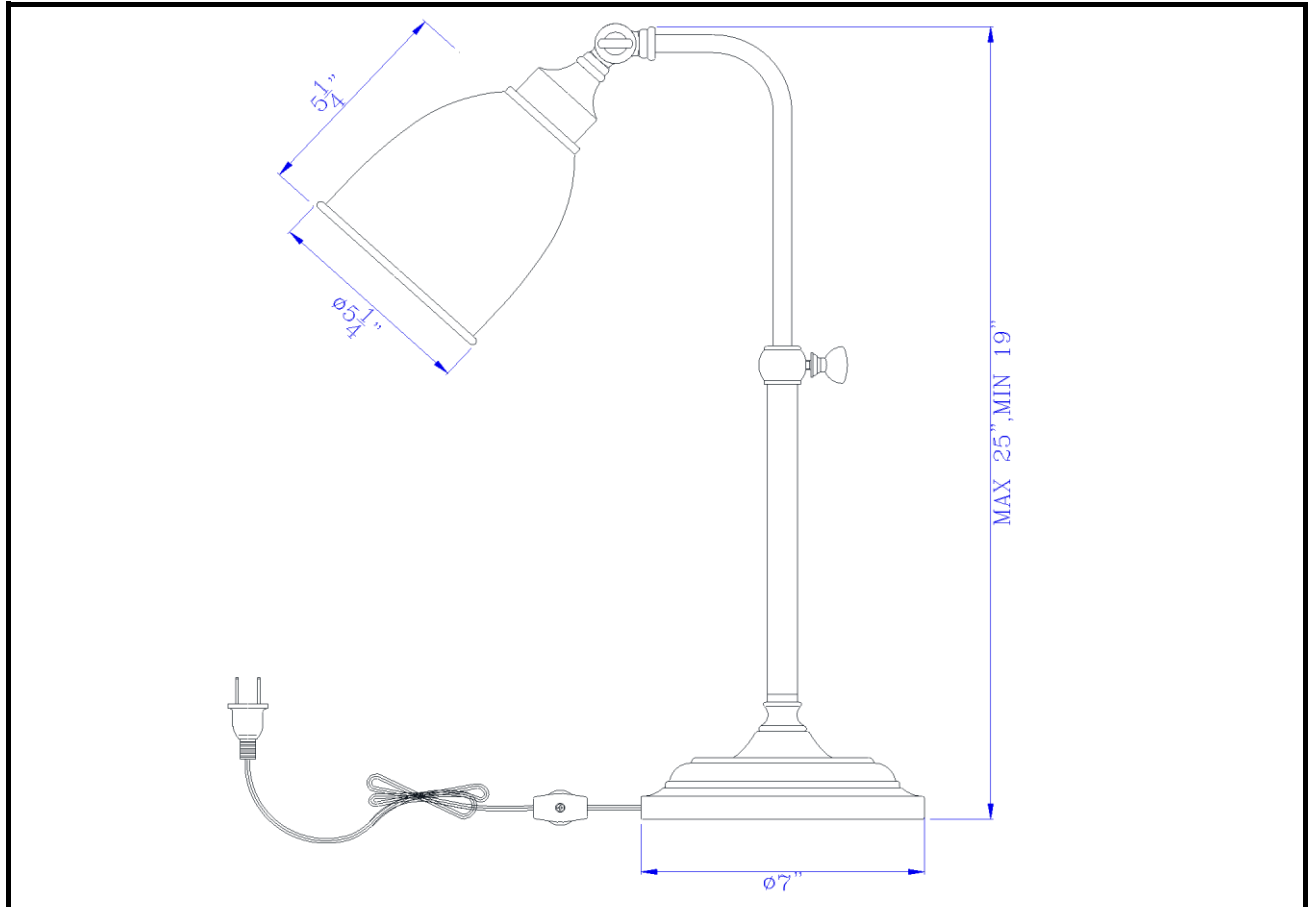
Type: _____

Project: _____

Catalog No.: **BO-2032TB-RU**

Lamp/Wattage: _____

Drawing:



- Model No:** BO-2032TB-RU
- Description:** Pharmacy Table Lamp with Adjustable Pole
- Material:** Metal
- Finish :** RU (Rust)
- Height:** 19"~25"
- Base Width:** 7"
- Wattage :** 60W
- Socket :** Medium Base (E27)
- Switch:** On/Off in-line
- Bulb:** Incandescent, CFL
- Wire Length:** 6'
- Wire Color:** Brown
- Shade No:**
- Material:** Metal
- Shade size:** Dia 5 1/4"
- Certificate :**

