



# CAL LIGHTING

3625 E. Philadelphia St. Ontario CA. 91761. Tel: 909.947.5200. Fax:  
909.947.5673. www.calighting.com. service@calighting.com.  
Specifications subject to change without notice

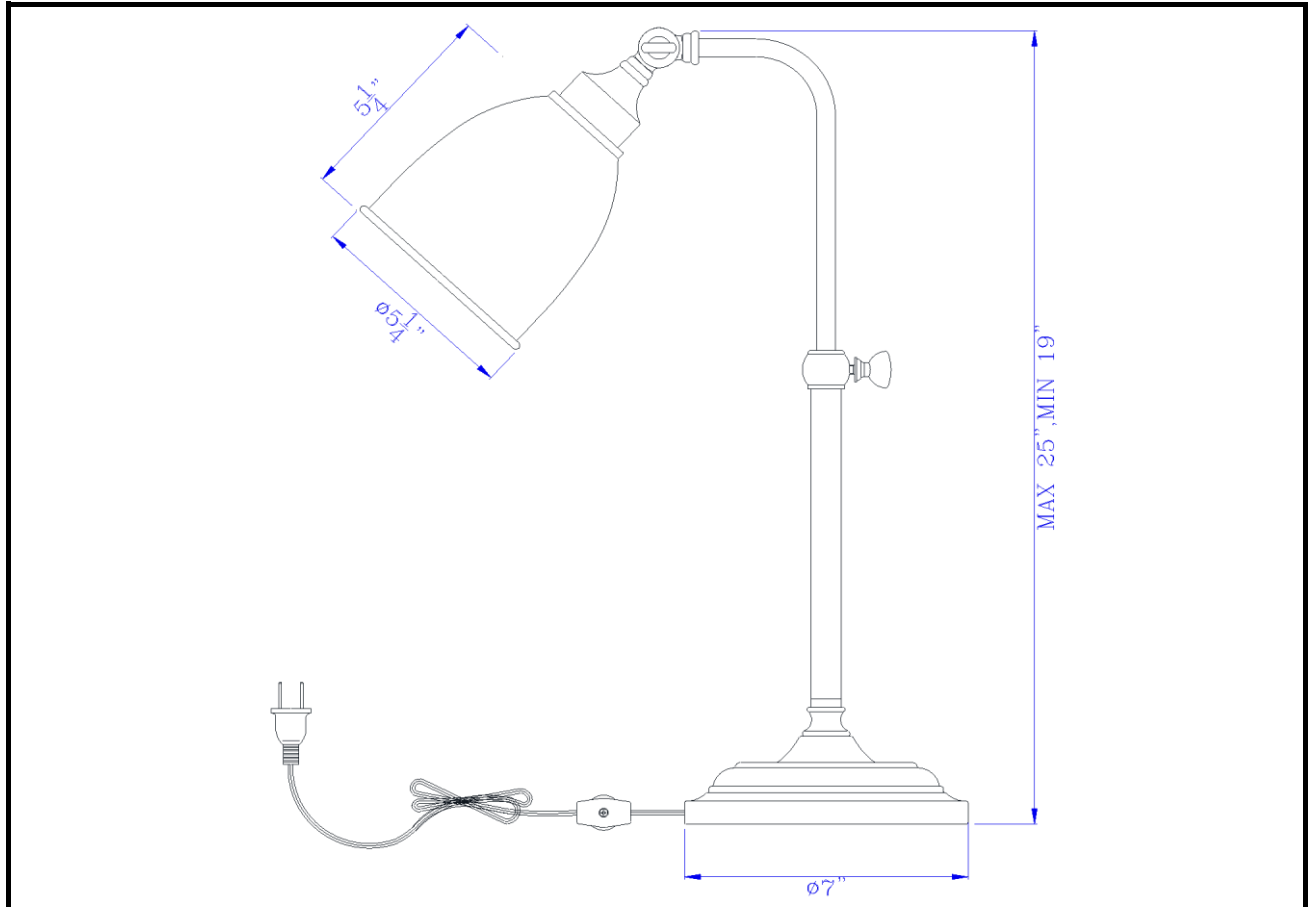
Type: \_\_\_\_\_

Project: \_\_\_\_\_

Catalog No.: **BO-2032TB-AB**

Lamp/Wattage: \_\_\_\_\_

## Drawing:



- Model No:** BO-2032TB-AB
- Description:** Pharmacy Table Lamp with Adjustable Pole
- Material:** Metal
- Finish :** AB (Antique Bronze)
- Height:** 19"~25"
- Base Width:** 7"
- Wattage :** 60W
- Socket :** Medium Base (E27)
- Switch:** On/Off in-line
- Bulb:** Incandescent, CFL
- Wire Length:** 6'
- Wire Color:** Gold
- Shade No:**
- Material:** Metal
- Shade size:** Dia 5 1/4"
- Certificate :**

