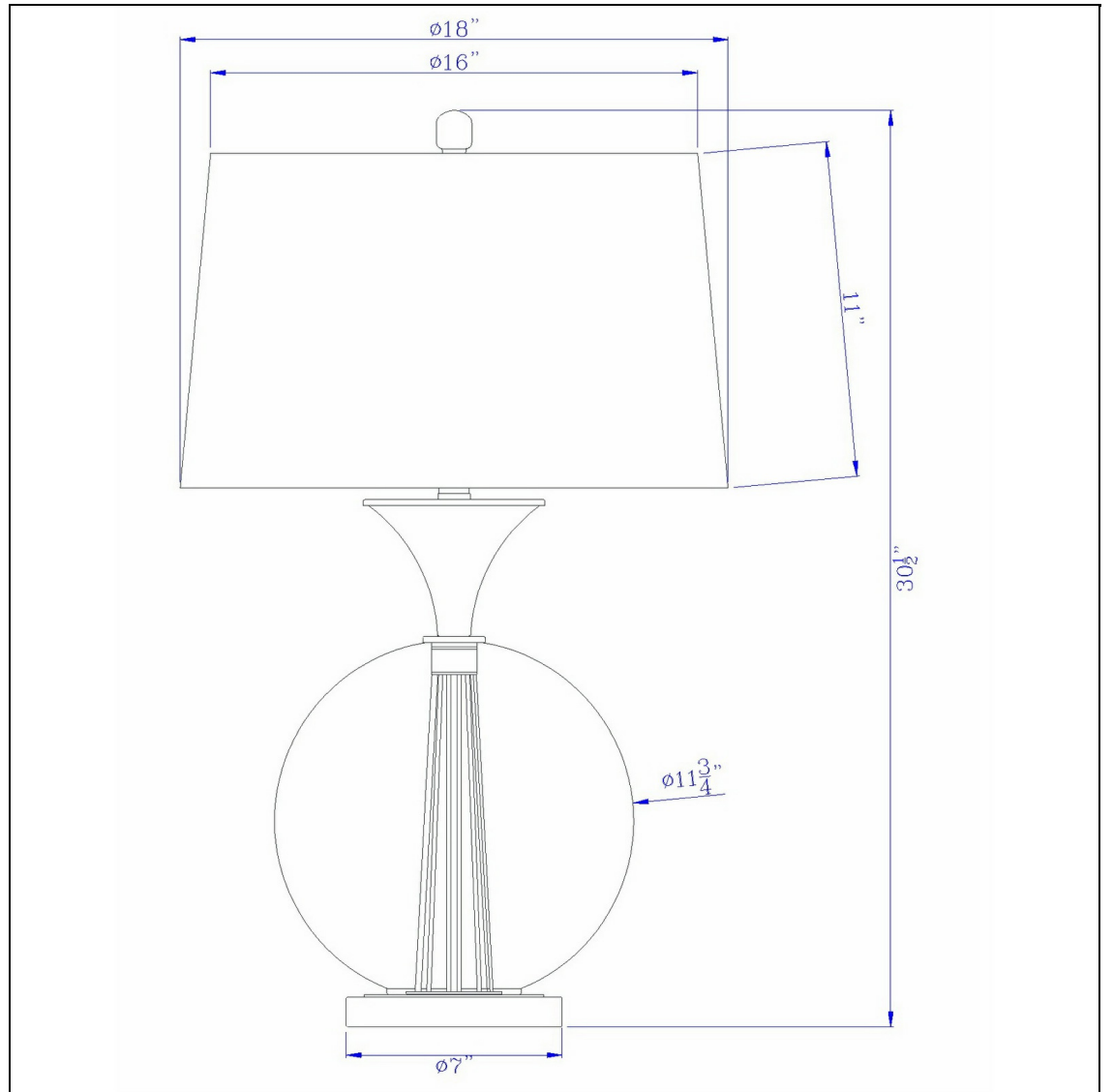


Product No. **BO-2990TB**



Description

150W 3 way Moxee glass/metal table lamp with hardback taper drum fabric shade  
Constructed with durable material  
Weighted base for better balance  
Clear round glass with antique brass finish  
Refresh your space with this metal torch table lamp. It features polished steel body with a clear ou

Technical Specifications

|                         |                     |                            |                            |
|-------------------------|---------------------|----------------------------|----------------------------|
| <b>UPC</b>              | 020193067284        | <b>Shade Top1</b>          | 16.00                      |
| <b>Wattage</b>          | 150W                | <b>Shade Bottom1</b>       | 18.00                      |
| <b>Switch Type</b>      | E26                 | <b>Shade Side</b>          | 11.00                      |
| <b>Bulb Base</b>        | E26                 | <b>Carton 1 Dimensions</b> | 20.80 x 19.80 x 19.50      |
| <b>Number of Lights</b> | 1                   | <b>Carton 2 Dimensions</b> | 0.00 x 0.00 x 19.50        |
| <b>Color</b>            | Glass/Antique Brass | <b>Package Dimensions</b>  | L: 19.50 W: 19.80 H: 20.80 |
| <b>Base Color</b>       | Glass               |                            |                            |