

# STEP 11 - Install Crystal Ball, Socket sleeve and Bulbs.

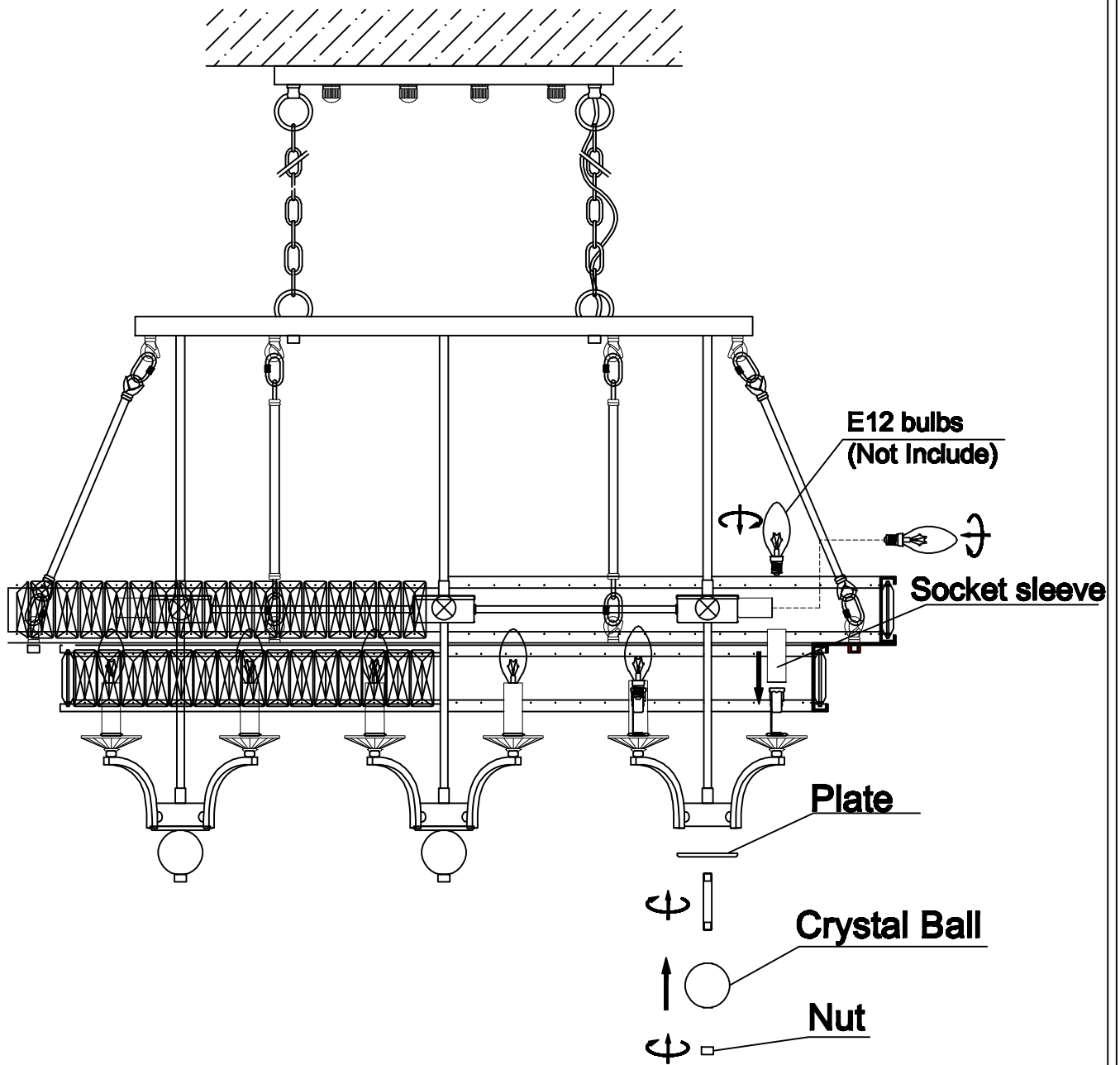


Figure 11