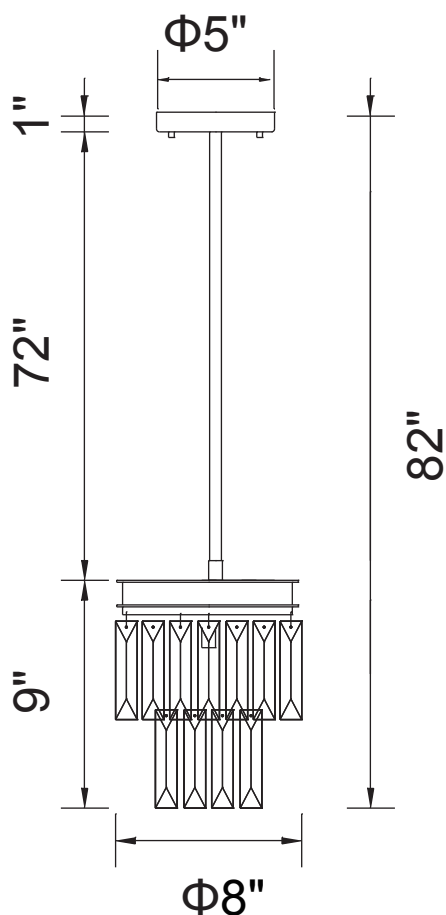


CWI LIGHTING

BRIGHTER LIVING. SIMPLIFIED.

PROJECT: _____
 FIXTURE TYPE: _____
 LOCATION: _____
 CONTACT/PHONE: _____



Item	9969P8-5-601
Collection	WEISS
Finish	Chrome
Glass	-----
Crystal	Clear
Input	120V AC,60HZ,AC

Shade	-----
Length/Dia.	8"
Width/Ext.	-----
Height	9"
Maximum	82"
Lumens	-----

Light Source	G9
Bulb Info.	5x40W
Included	-----
Dimmable	No
Color	-----
Weight	