

# CWI LIGHTING

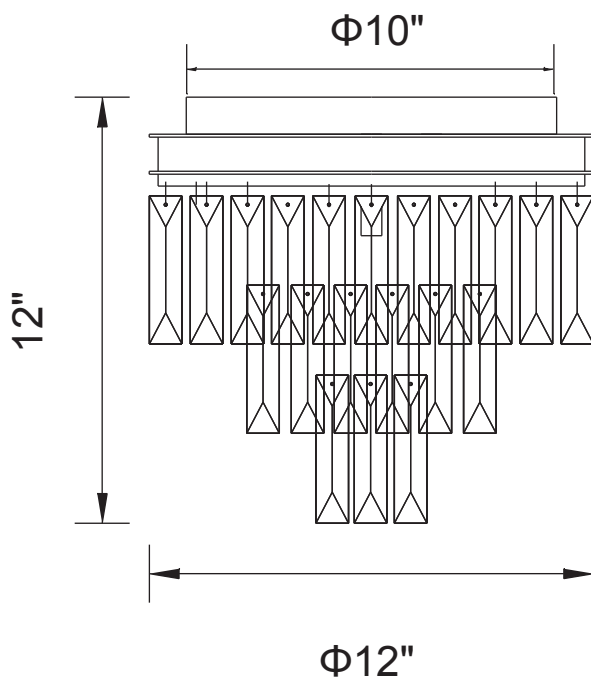
BRIGHTER LIVING. SIMPLIFIED.

PROJECT: \_\_\_\_\_

FIXTURE TYPE: \_\_\_\_\_

LOCATION: \_\_\_\_\_

CONTACT/PHONE: \_\_\_\_\_



Item	9969C12-8-601
Collection	WEISS
Finish	Chrome
Glass	-----
Crystal	Clear
Input	120V AC,60HZ,AC

Shade	-----
Length/Dia.	12"
Width/Ext.	-----
Height	12"
Maximum	-----
Lumens	-----

Light Source	G9
Bulb Info.	8x40W
Included	-----
Dimmable	No
Color	-----
Weight	