

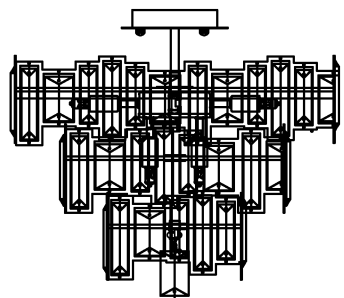
Trade Mark:
CRYSTAL WORLD INC

Product Name: Ceiling lamp

Model :9903C18-5

120Vac, 60Hz,AC ONLY

Lamp Size:D18"*H15"



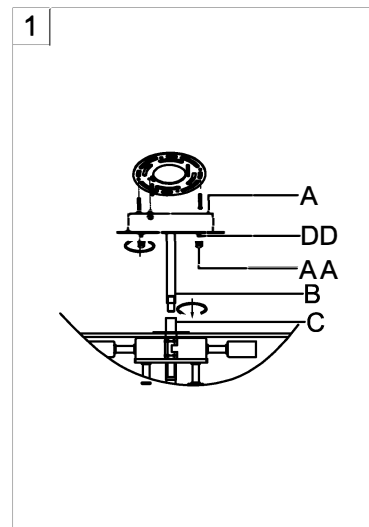
CEILING LAMP ASSEMBLY INSTRUCTIONS

1.Place fixture(A)onto mounting screws (DD).secure with cap nuts (AA) .
Please fix (A) with (B).(B) with (C).

Hardware Used


AA Cap nut  X 2

DD Mounting screw  X 2



2.Install bulbs (NOT INCLUDED).
USE
120V G9 5*40W Max.

1

 40*63 : 1PCS

1PCS

