

# CWI LIGHTING

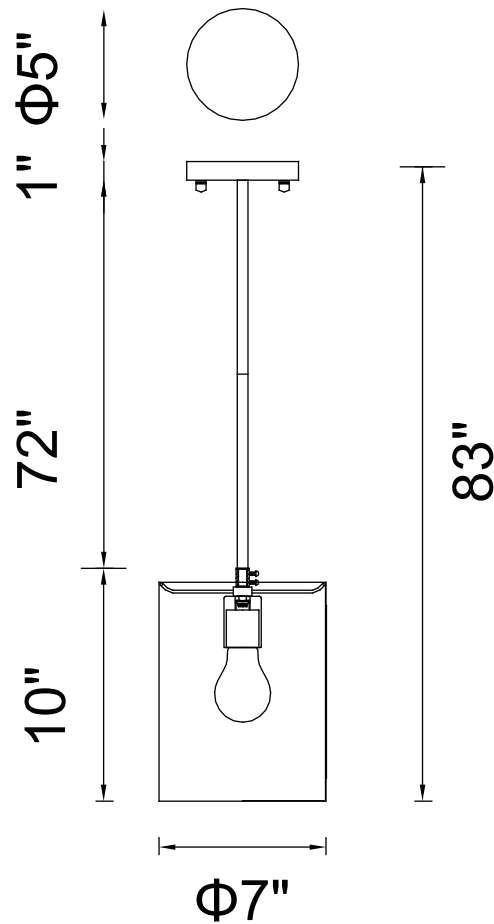
BRIGHTER LIVING. SIMPLIFIED.

PROJECT: \_\_\_\_\_

FIXTURE TYPE: \_\_\_\_\_

LOCATION: \_\_\_\_\_

CONTACT/PHONE: \_\_\_\_\_



Item	9848P7-1-601
Collection	ORCHID
Finish	Chrome
Glass	-----
Crystal	-----
Input	120V AC,60HZ,AC

Shade	Black
Length/Dia.	7"
Width/Ext.	-----
Height	10"
Maximum	83"
Lumens	-----

Light Source	E12
Bulb Info.	1x60W
Included	-----
Dimmable	No
Color	-----
Weight	-----