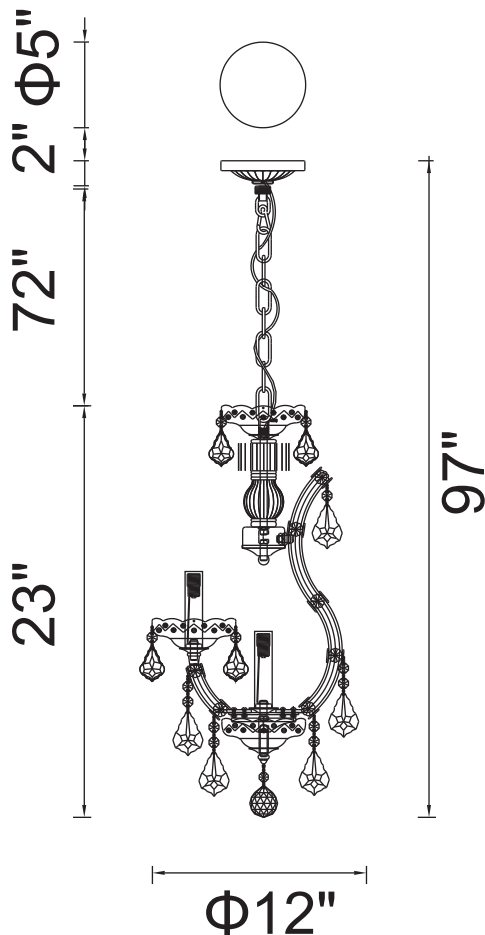




PROJECT: _____
 FIXTURE TYPE: _____
 LOCATION: _____
 CONTACT/PHONE: _____



| | |
|------------|-----------------|
| Item | 8311P12C-3 |
| Collection | MARIA THERESA |
| Finish | Chrome |
| Glass | ----- |
| Crystal | Clear |
| Input | 120V AC,60HZ,AC |

| | |
|-------------|-------|
| Shade | ----- |
| Length/Dia. | 12" |
| Width/Ext. | ----- |
| Height | 23" |
| Maximum | 97" |
| Lumens | ----- |

| | |
|--------------|-------|
| Light Source | E12 |
| Bulb Info. | 3x60W |
| Included | ----- |
| Dimmable | No |
| Color | ----- |
| Weight | |

