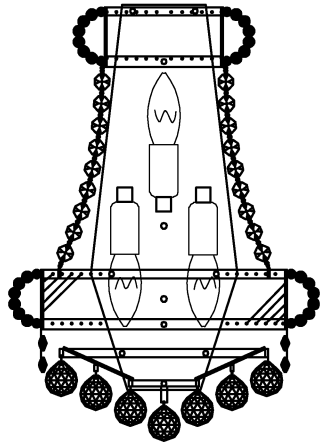


Trade Mark:  
CRYSTAL WORLD INC

Product Name: Wall lamp  
Model :8001W12G-B  
120Vac, 60Hz,AC ONLY  
Lamp Size:W12"xH17"xE7"



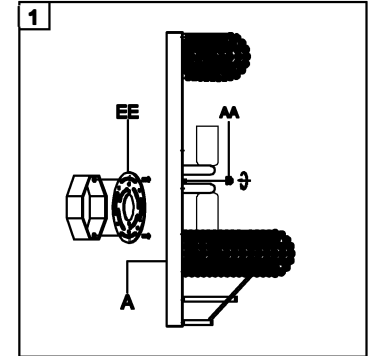
Intertek  
4006677

## WALL LAMP ASSEMBLY INSTRUCTIONS

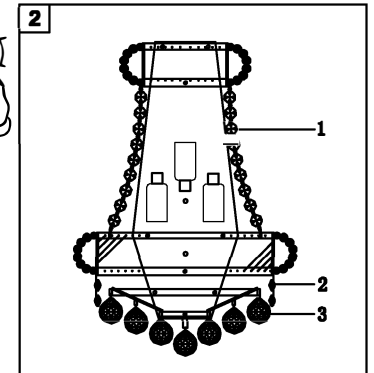
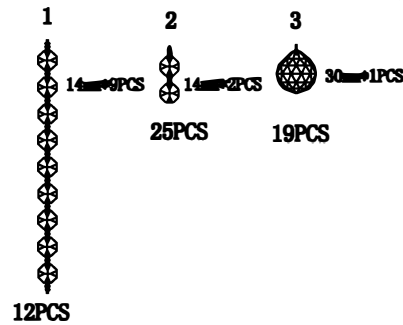
1. Place fixture (A) onto crossbar (EE).  
Secure with cap nuts (AA).

### Hardware Used

AA Cap nut      X 2



2. Please hang the crystal (1) (2) (3) to the fixture .



3. Install light bulbs ( not included).  
Use bulb  
120V E12      3\*40W Max.

