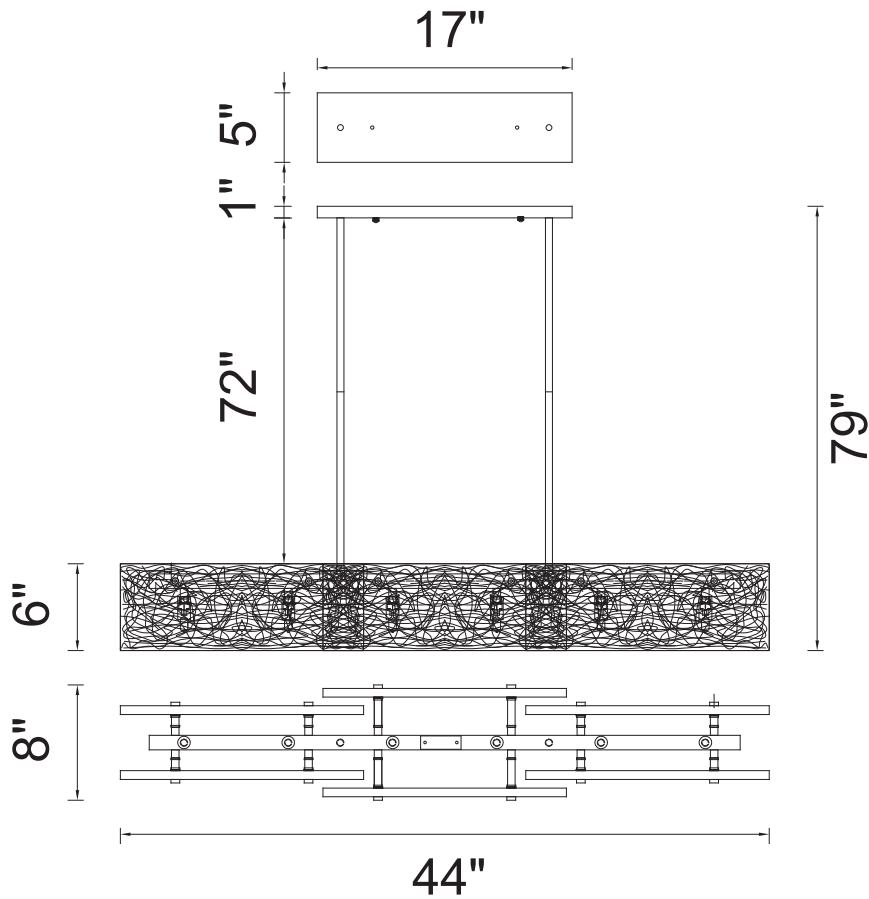


CWI LIGHTING

BRIGHTER LIVING. SIMPLIFIED.

PROJECT: _____
 FIXTURE TYPE: _____
 LOCATION: _____
 CONTACT/PHONE: _____



| | |
|------------|-----------------|
| Item | 5640P44C-RC |
| Collection | WILMA |
| Finish | Chrome |
| Glass | Clear+Smoke |
| Crystal | ----- |
| Input | 120V AC,60HZ,AC |

| | |
|-------------|-------|
| Shade | ----- |
| Length/Dia. | 44" |
| Width/Ext. | 8" |
| Height | 6" |
| Maximum | 79" |
| Lumens | ----- |

| | |
|--------------|-------|
| Light Source | G9 |
| Bulb Info. | 6x40W |
| Included | ----- |
| Dimmable | No |
| Color | ----- |
| Weight | |