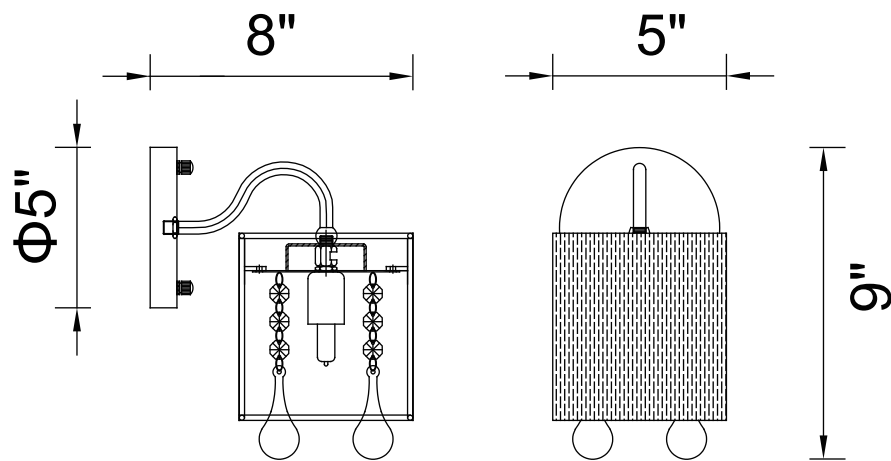


PROJECT: _____

FIXTURE TYPE: _____

LOCATION: _____

CONTACT/PHONE: _____



| | |
|------------|-----------------|
| Item | 5006W5C-1 |
| Collection | WATER DROP |
| Finish | Chrome |
| Glass | ----- |
| Crystal | Clear |
| Input | 120V AC,60HZ,AC |

| | |
|-------------|-------|
| Shade | Black |
| Length/Dia. | 5" |
| Width/Ext. | 8" |
| Height | 9" |
| Maximum | ----- |
| Lumens | ----- |

| | |
|--------------|-------|
| Light Source | G9 |
| Bulb Info. | 1×40W |
| Included | ----- |
| Dimmable | No |
| Color | ----- |
| Weight | |