

# Assembly Instruction Sheet #IS-120 9T7

## For Style 1209T7

**Tools Required:** Flathead screwdriver, Phillips screwdriver, pliers, wire cutters, wire strippers, electrical tape, safety glasses.

**Light Source:** (1) SUGGESTED LED G9 BULB MAX 5W (Not Include).

**Estimated Assembly Time:** 20-30 minutes

**Preparation:** Identify and inspect all parts before beginning installation. Check package content list and diagrams below to be sure all parts are present. If any parts are missing or damaged, do not attempt to assemble, install, or operate the fixture. Contact customer service for replacement parts.

### **⚠ Warnings and Cautions**

Turn off electricity at circuit breaker or main fuse box before installation. Consult a licensed electrician if in doubt.

These instructions are provided for your safety. It is very important you read them completely before installing the fixture.

We strongly recommend that a licensed, professional electrician perform the installation.

Disconnect fixture from power source before replacing bulbs. Make sure bulbs are given sufficient time to cool before removal.

### **STEP 1 - Install Glass Shade and Bulbs.**

**A.** Install bulbs (Not Include) into sockets and push snug into place.

**B.** Please put the Glass Shade to the Fixture Body (A).

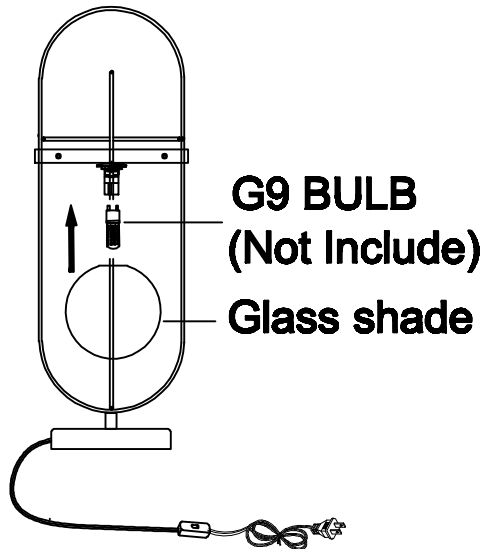


Figure 1

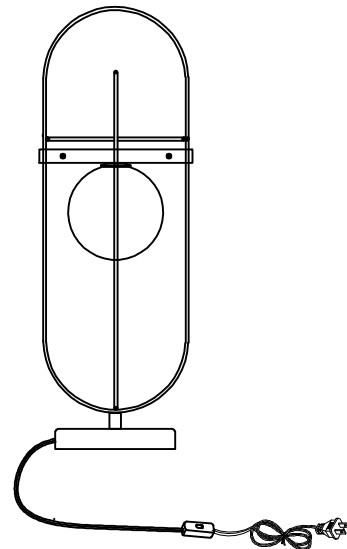


Figure 2