

Assembly Instruction Sheet #S-1206P10 For Style 1206P10

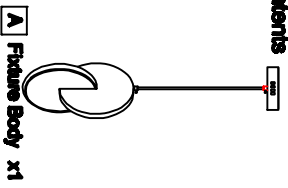
Tools Required: Fishhook screwdriver, Phillips screwdriver, pliers, wire cutters, wire strippers, electrical tape, safety glasses.

Light Source: (1) 120V LED 1-W DIMMABLE (pilot)
Estimated Assembly Time: 18-30 minutes
Preparation: Identify and label all parts before beginning installation. Check package content list and diagrams below to be sure all parts are present. If any parts are missing or damaged, do not attempt to assemble, install, or operate the fixture. Contact customer service for replacement parts.

⚠ Warnings and Cautions

Turn off electricity at circuit breaker or main fuse box before installation. Consult a licensed electrician if in doubt. These instructions are provided for your safety. It is very important you read them completely before installing the fixture. We strongly recommend that a licensed, professional electrician perform the installation. Disconnect fixture from power source before replacing bulbs. Make sure bulbs are given sufficient time to cool before removal.

Package Contents



Hardware Contents

| PART | DESCRIPTION | QUANTITY |
|------|------------------|----------|
| AA | Decorative Cap | 2pcs |
| BB | Decorative Cap | 2pcs |
| CC | Outlet Box Screw | 2pcs |
| DD | Mounting Screw | 2pcs |
| EE | Mounting Bracket | 2pcs |
| FF | Decorative Cap | 2pcs |

STEP 1 - Attach Mounting Screws, Lock Washers and Hex Nuts to Mounting Bracket.

A. Line up a set of holes on the Mounting bracket (EE) and Holes on the Backplate. Thread Mounting Screws (DD) into the holes on the Mounting bracket (EE). Pass Lock Washers and Thread Hex Nuts onto the Mounting Screws (DD). Hand tighten unit snug.

Figure 1

STEP 2 - Attach Mounting Bracket to Outlet Box

A. Pass the supply wires through the Mounting bracket (EE). Attach the Mounting bracket (EE) to the Outlet Box with the head of the Green Ground Screw. Tighten unit snug.

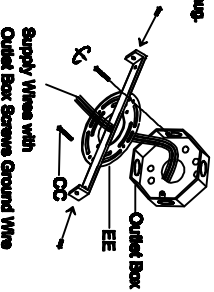


Figure 2

STEP 3 - Fit Backplate to Mounting Bracket Assembly

A. Fit the backplate to Mounting Screws (DD) and secure with Decorative Caps (AA). Note: The backplate should be snug against the ceiling and the Decorative Caps (AA). If not, adjust the length of the Mounting Screws (DD) by unscrewing the Hex Nut and then screwing Mounting Screws (DD) in or out of the Mounting bracket (EE) until the correct length is achieved. Once the Ceiling Canopy is secure, remove the Decorative Caps (AA) and Ceiling Canopy and proceed to step 4

Figure 3

STEP 4 - Wire Connections

A. Use standard wire connectors to make all wire connections. Twist connections until wires are tightly joined together. Wrap each connection with approved electrical tape and carefully seal all the connected wires into the Outlet Box.

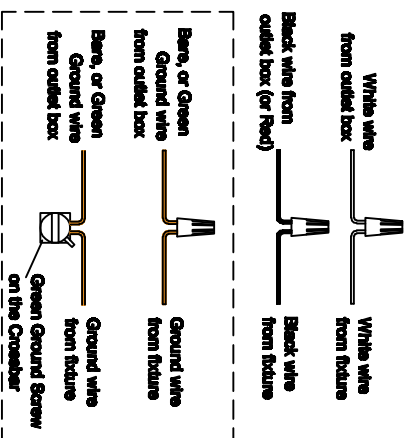


Figure 4

STEP 5 - Install Ceiling Canopy to Ceiling

A. Carefully tuck all wires into the outlet box and position the Ceiling Canopy of the Fixture Body (A) over the outlet box. Align the holes in the Ceiling Canopy with the Mounting Screws (DD). Secure with Decorative Caps (AA) and hand tighten unit snug.

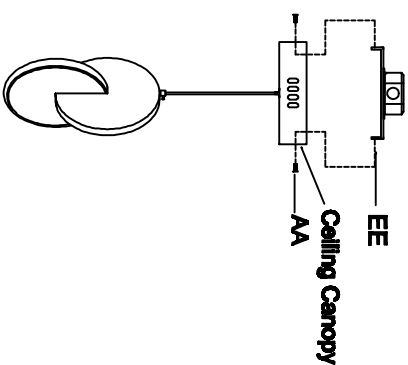


Figure 5