

Assembly Instruction Sheet #IS-1112P40

For Style 1112P40

Tools Required: Flathead screwdriver, Phillips screwdriver, pliers, wire cutters, wire strippers, electrical tape, safety glasses.

Light Source: (34) E12 Candelabra Base Bulbs 60W Maximum(Not Include).

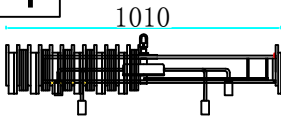
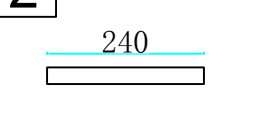
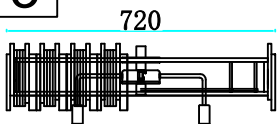
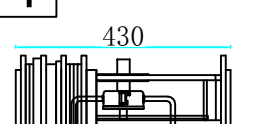
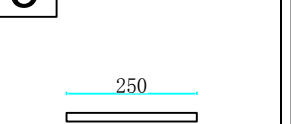
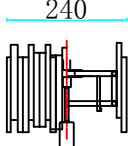
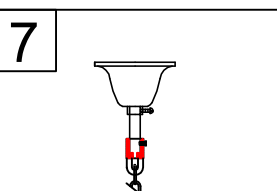
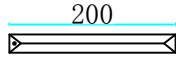
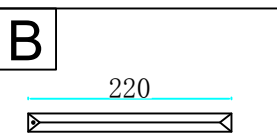
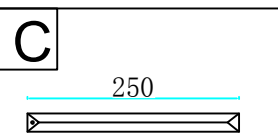
Estimated Assembly Time: 20-30 minutes

Preparation: Identify and inspect all parts before beginning installation. Check package content list and diagrams below to be sure all parts are present. If any parts are missing or damaged, do not attempt to assemble, install, or operate the fixture. Contact customer service for replacement parts.

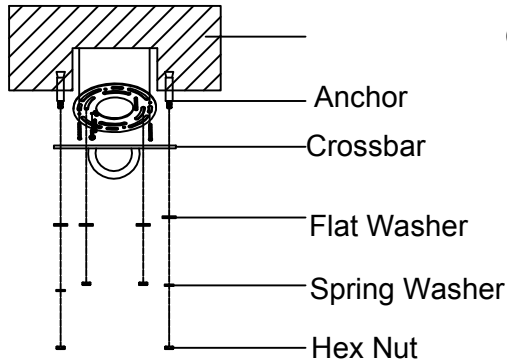
⚠ Warnings and Cautions

Turn off electricity at circuit breaker or main fuse box before installation. Consult a licensed electrician if in doubt. These instructions are provided for your safety. It is very important you read them completely before installing the fixture. We strongly recommend that a licensed, professional electrician perform the installation. Disconnect fixture from power source before replacing bulbs. Make sure bulbs are given sufficient time to cool before removal.

Package Contents

<p>1</p>  <p>QTY X 1</p> <p>Fixture Body</p>	<p>2</p>  <p>QTY X 2</p> <p>Middle rod</p>	<p>3</p>  <p>QTY X 1</p> <p>Metal frame</p>	<p>4</p>  <p>QTY X 1</p> <p>Metal frame</p>	<p>5</p>  <p>QTY X 1</p> <p>Middle rod</p>
<p>6</p>  <p>QTY X 1</p> <p>Metal frame</p>	<p>7</p>  <p>QTY X 1</p> <p>Ceiling Canopy</p>			
<p>A</p>  <p>QTY X 10</p> <p>Crystal</p>	<p>B</p>  <p>QTY X 210</p> <p>Crystal</p>	<p>C</p>  <p>QTY X 200</p> <p>Crystal</p>		

STEP 1

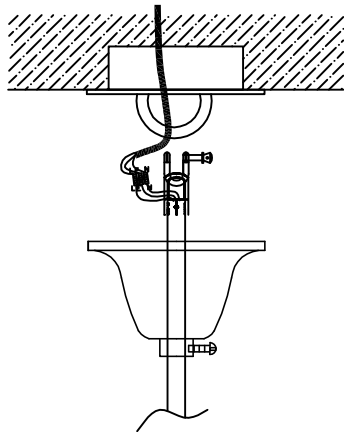


PARTS

NOTE

assemble parts
as shown
**Install the
Crossbar to the
Ceiling**

STEP 2

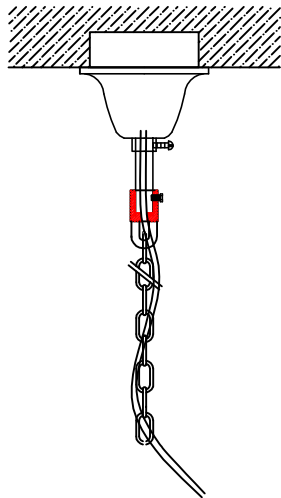


PARTS

NOTE

assemble parts
as shown

STEP 3

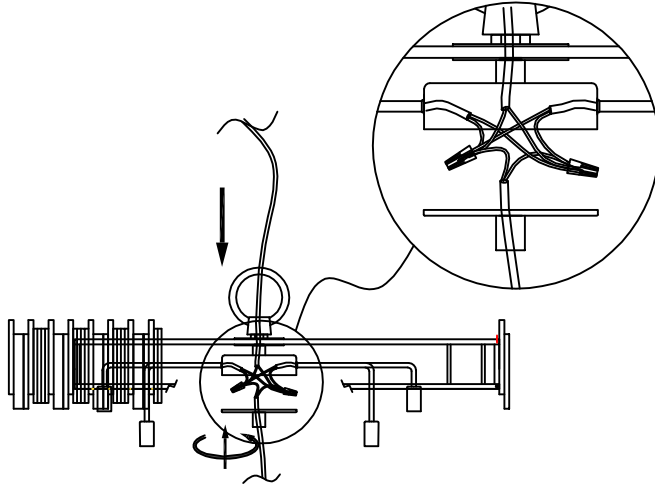


PARTS

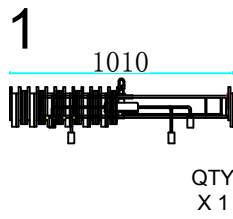
NOTE

assemble parts
as shown

STEP 4

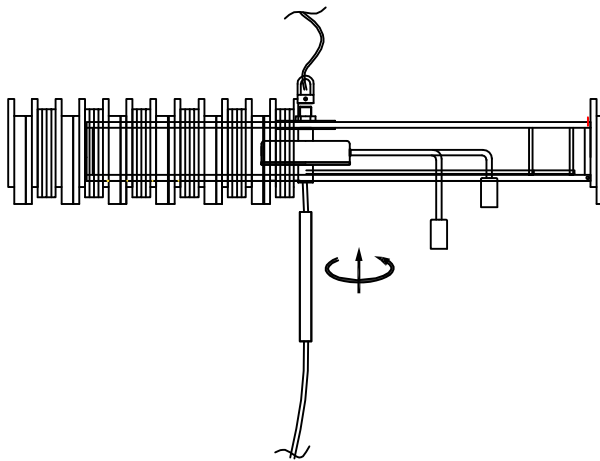


PARTS

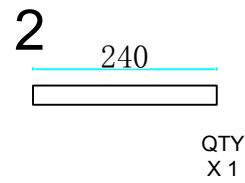


NOTE
assemble parts
as shown

STEP 5

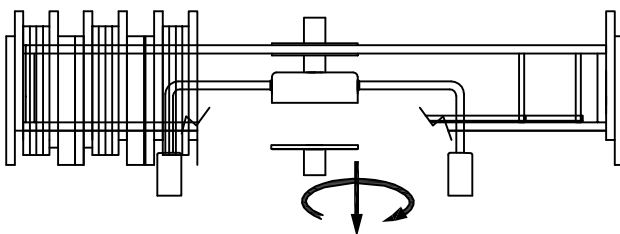


PARTS

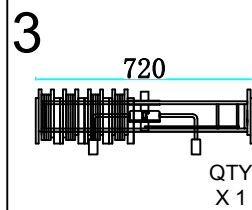


NOTE
assemble parts
as shown

STEP 6

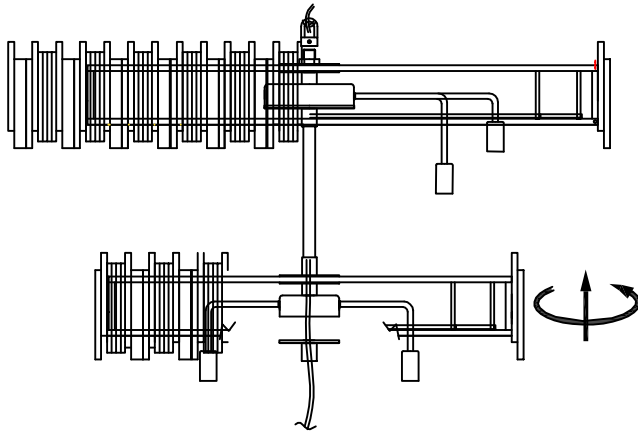


PARTS



NOTE
assemble parts
as shown

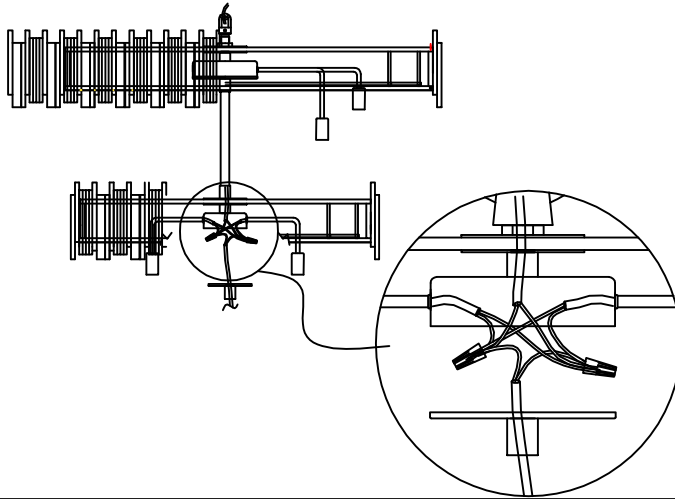
STEP 7



PARTS

NOTE
assemble parts
as shown

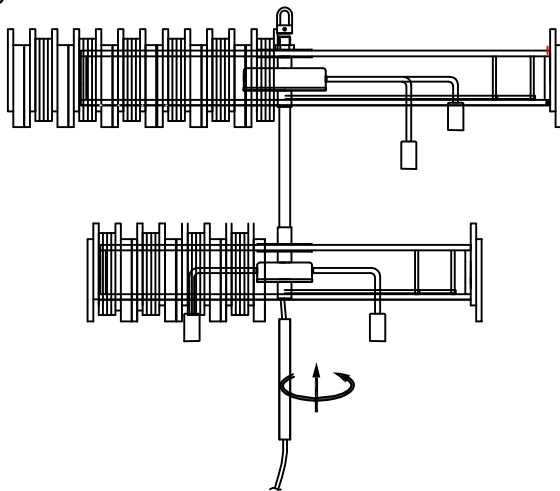
STEP 8



PARTS

NOTE
assemble parts
as shown

STEP 9



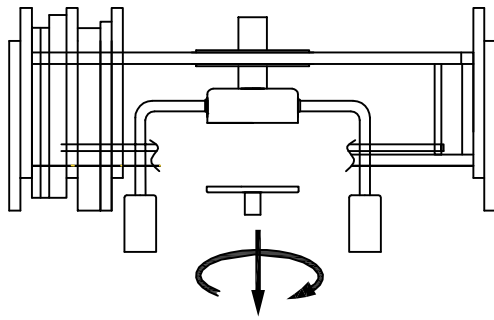
PARTS

2
240

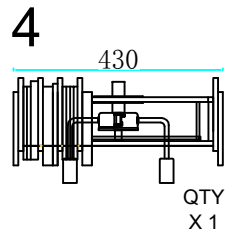
QTY
X 1

NOTE
assemble parts
as shown

STEP 10

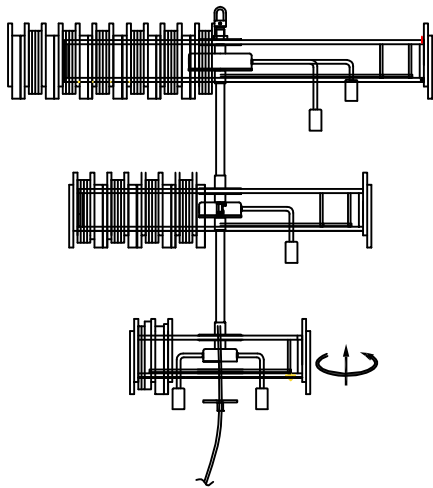


PARTS



NOTE
assemble parts
as shown

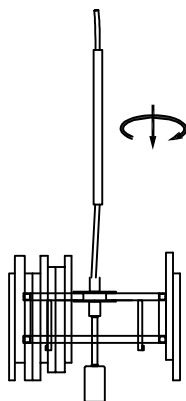
STEP 11



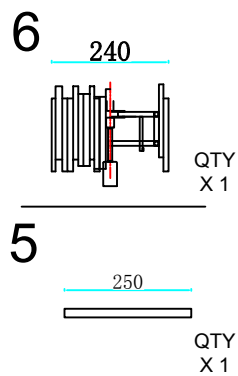
PARTS

NOTE
assemble parts
as shown

STEP 12

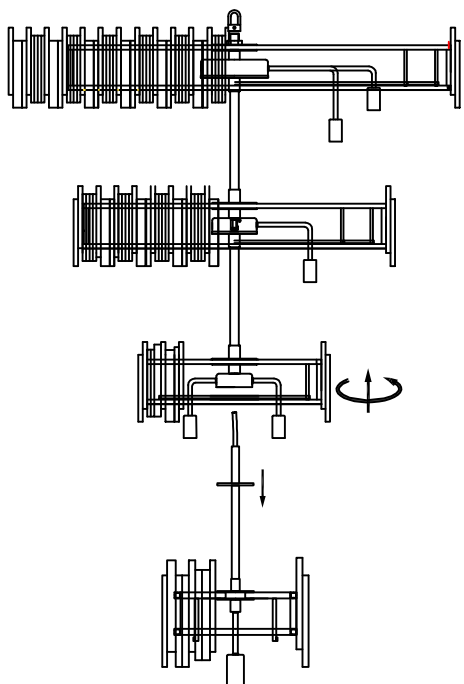


PARTS



NOTE
assemble parts
as shown

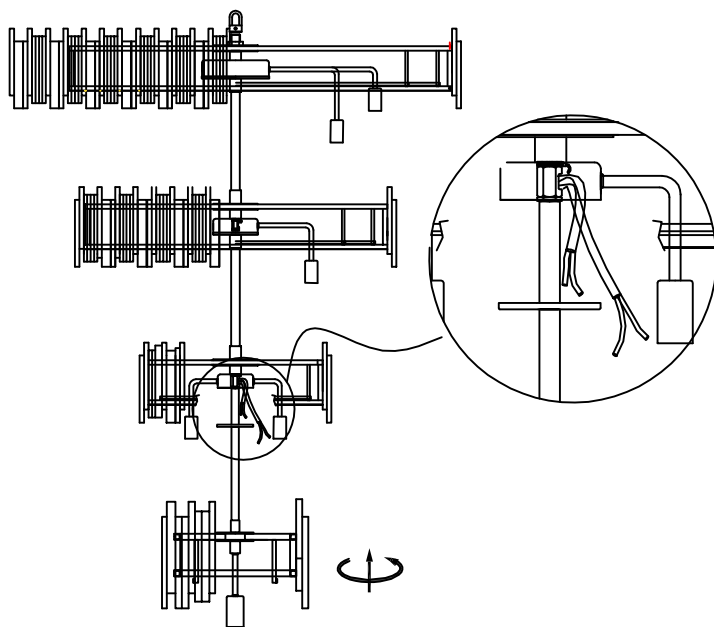
STEP 13



PARTS

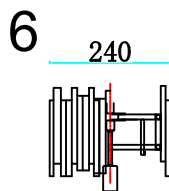
NOTE
assemble parts
as shown

STEP 14



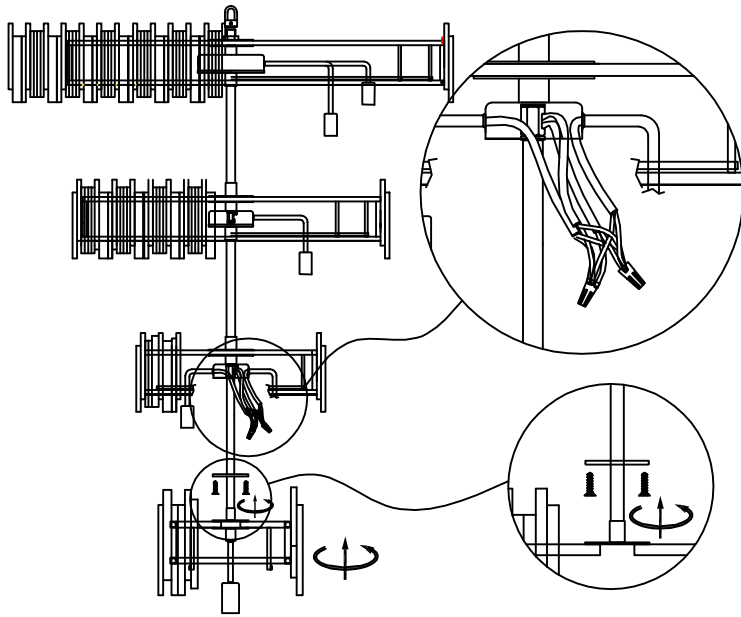
PARTS

NOTE
assemble parts
as shown



QTY
X 1

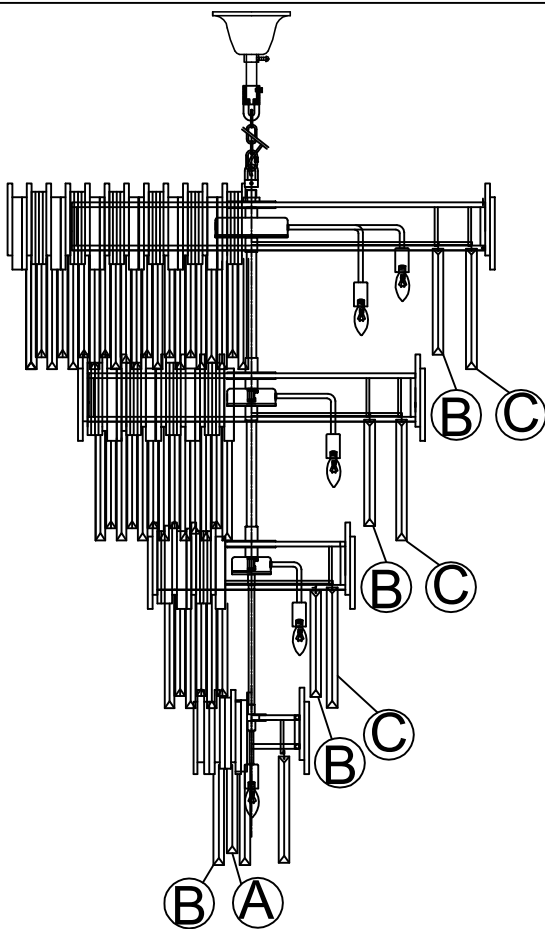
STEP 15



PARTS

NOTE
assemble parts
as shown

STEP 17



PARTS

NOTE
assemble parts
as shown

