

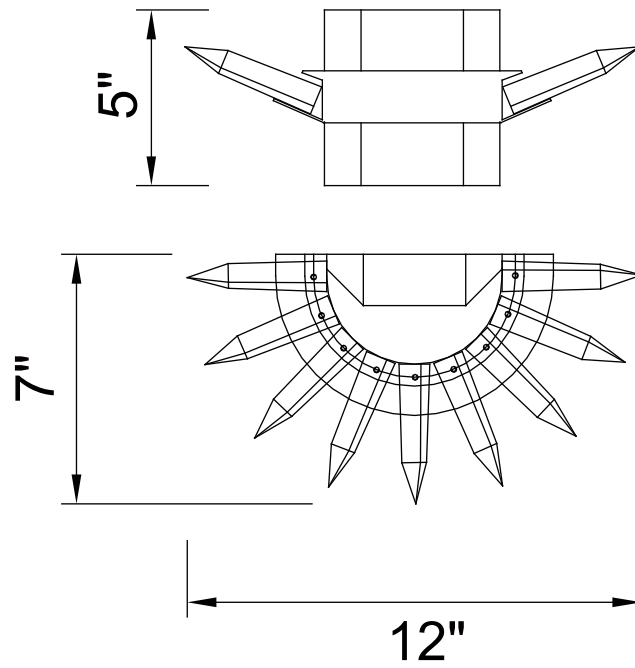


PROJECT: \_\_\_\_\_

FIXTURE TYPE: \_\_\_\_\_

LOCATION: \_\_\_\_\_

CONTACT/PHONE: \_\_\_\_\_



Item	1108W12-613
Collection	ARCTIC QUEEN
Finish	Polished Nickel
Glass	-----
Crystal	Clear
Input	120V AC,60HZ,AC

Shade	-----
Length/Dia.	12"
Width/Ext.	7"
Height	5"
Maximum	-----
Lumens	-----

Light Source	LED
Bulb Info.	5W
Included	-----
Dimmable	Yes
Color	4000K
Weight	