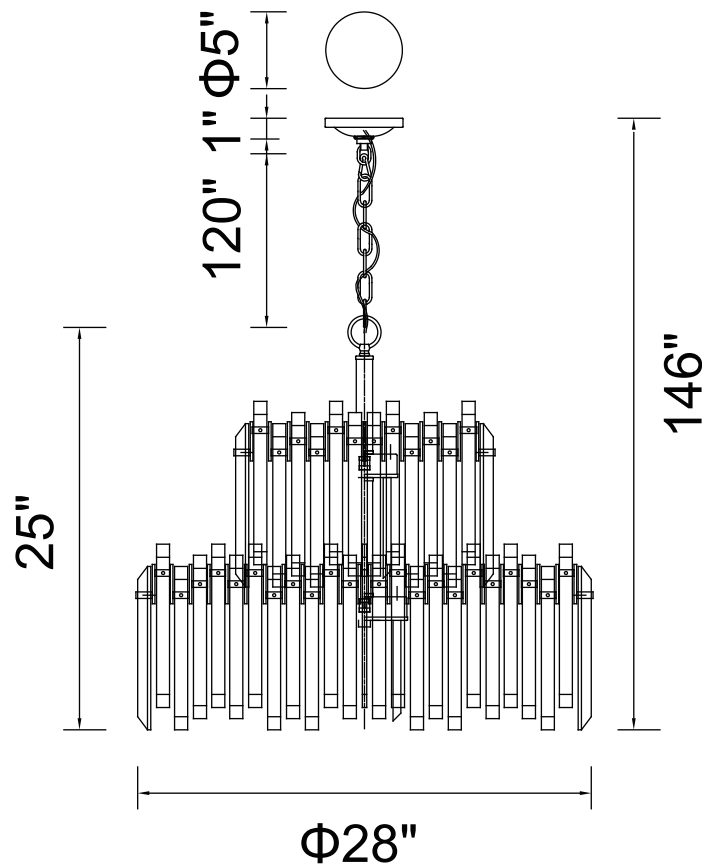


PROJECT: \_\_\_\_\_

FIXTURE TYPE: \_\_\_\_\_

LOCATION: \_\_\_\_\_

CONTACT/PHONE: \_\_\_\_\_



|            |                 |
|------------|-----------------|
| Item       | 1065P28-12-601  |
| Collection | HENRIETTA       |
| Finish     | Chrome          |
| Glass      | -----           |
| Crystal    | -----           |
| Input      | 120V AC,60HZ,AC |

|             |       |
|-------------|-------|
| Shade       | ----- |
| Length/Dia. | 28"   |
| Width/Ext.  | ----- |
| Height      | 25"   |
| Maximum     | 146"  |
| Lumens      | ----- |

|              |        |
|--------------|--------|
| Light Source | E12    |
| Bulb Info.   | 12×60W |
| Included     | -----  |
| Dimmable     | No     |
| Color        | -----  |
| Weight       | 29.4KG |