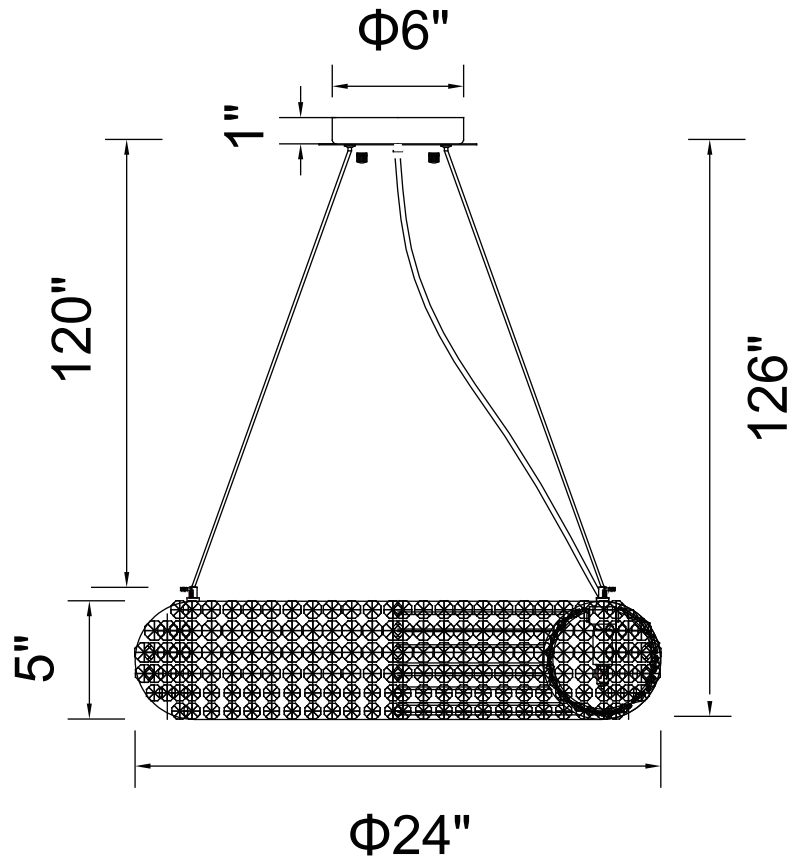


PROJECT: \_\_\_\_\_

FIXTURE TYPE: \_\_\_\_\_

LOCATION: \_\_\_\_\_

CONTACT/PHONE: \_\_\_\_\_



Item	1057P24-8-601
Collection	VERONIQUE
Finish	Chrome
Glass	-----
Crystal	-----
Input	120V AC,60HZ,AC

Shade	-----
Length/Dia.	24"
Width/Ext.	-----
Height	5"
Maximum	126"
Lumens	-----

Light Source	G9
Bulb Info.	8×40W
Included	-----
Dimmable	No
Color	-----
Weight	10.5KG