

Assembly Instruction Sheet #IS-0413W7-1-101

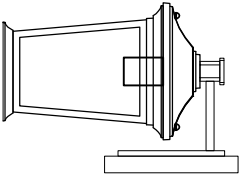
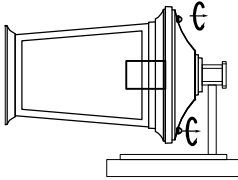

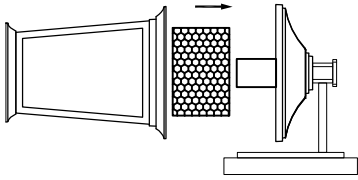
For Style 0413W7-1-101

Tools Required: Flathead screwdriver, Phillips screwdriver, pliers, wire cutters, wire strippers, electrical tape, safety glasses.
Light Source: (1) E26 Base Bulb 60W Medium (not include).
Estimated Assembly Time: 15-30 minutes.

Preparation: Identify and inspect all parts before beginning installation. Check package content list and diagrams below to be sure all parts are present. If any parts are missing or damaged, do not attempt to assemble, install, or operate the fixture. Contact customer service for replacement parts.

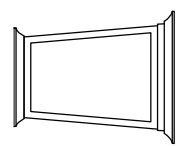
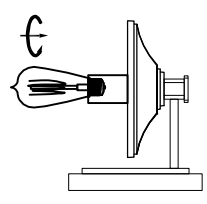
⚠ Warnings and Cautions

Turn off electricity at circuit breaker or main fuse box before installation. Consult a licensed electrician if in doubt. These instructions are provided for your safety. It is very important you read them completely before installing the fixture. We strongly recommend that a licensed, professional electrician perform the installation. Disconnect fixture from power source before replacing bulbs. Make sure bulbs are given sufficient time to cool before removal.

<p>Package Contents</p>  <p>A Fixture Body x1</p>	<p>STEP 1 A. Loosen the screw.</p> 									
<p>Hardware Contents</p> <table border="1"> <thead> <tr> <th>PART</th> <th>DESCRIPTION</th> <th>QUANTITY</th> </tr> </thead> <tbody> <tr> <td>BB</td> <td>Wire nut</td> <td>2pos</td> </tr> <tr> <td>CC</td> <td>Outlet Box Screw</td> <td>2pos</td> </tr> </tbody> </table> 	PART	DESCRIPTION	QUANTITY	BB	Wire nut	2pos	CC	Outlet Box Screw	2pos	<p>STEP 2 A. Remove the styrofoam from the Fixture Body.</p> 
PART	DESCRIPTION	QUANTITY								
BB	Wire nut	2pos								
CC	Outlet Box Screw	2pos								

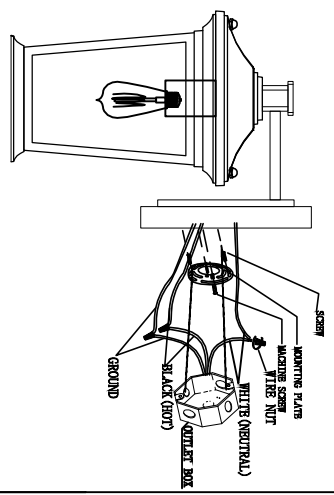
STEP 3

A. Install bulbs into sockets and screw snug into place.



STEP 5

A. Wire Connections



STEP 4

A. Lock the screw.

