

HAIKU[®] COASTAL

Installation Guide

Guide d'installation

Guía de instalación



CONTENTS

Specifications.....	1
Before You Start.....	2
Fan Installation	5
Troubleshooting.....	22
Maintenance	24
Contact Us.....	25



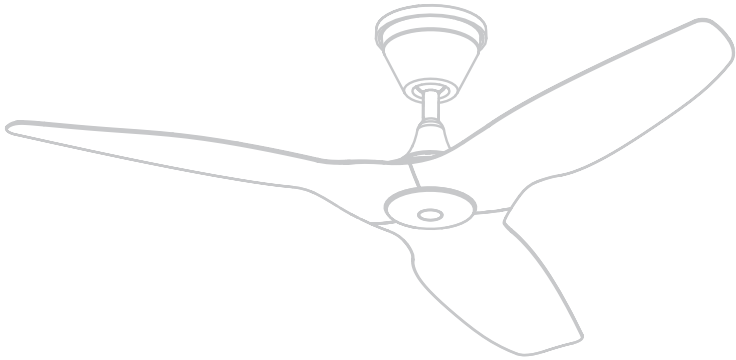
Rev. C
12/05/2023

READ AND SAVE THESE INSTRUCTIONS



SPECIFICATIONS

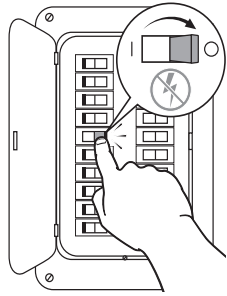
Model	Mounting	Input Voltage	Maximum Weight	Maximum Watts
MK-HKC1-042506	Flat ceilings 8 ft (2.4 m) or taller	100–240 VAC, 1 Φ , 50/60 Hz	14.2 lb (6.4 kg)	42 W



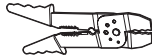
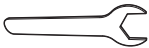
BEFORE YOU START

☑ Turn Off Power at Breaker

Contact an electrician if you are uncomfortable performing electrical work. A licensed electrician must install the fan if required by local code.



☑ Gather Tools



☑ Prepare Fan Site and Gather Hardware

CAUTION

Do not use the fan with a dimmer switch or a third-party switch.

Outlet Box: Make sure your outlet box is suitable for fan support. If there is not an outlet box at the fan location, install one on a ceiling joist or beam. You will need to supply two 10-32 screws for attaching the fan mounting bracket to the outlet box.

Concrete Ceiling: You will need to supply four M6 anchor bolts* for attaching the fan mounting bracket to the ceiling. If required by your local building and safety codes, you will also need to supply an M6 anchor hook* for the safety cable. See page 4 for hardware specifications and installation details.

Wood Ceiling Joist: You will need to supply two corrosion-resistant 12-11 x 45 mm hex head timber screws with seal for attaching the fan mounting bracket directly to the joist. If required by local code, mount or embed an outlet box into the joist. The outlet box must be suitable for fan support.

Exposed Outdoor Locations:** Wet-rated fans installed in exposed outdoor locations must have fixed/permanent coverage above the fan wiring cover, must be installed in a GFCI protected branch circuit, and can be mounted to flat ceilings only.

*If anchor bolts and anchor hook are included with your fan, use them for concrete mounting.

**When installing the fan in an exposed outdoor location, use only light kits marked "Suitable for Use in Wet Locations."

☑ Check Ceiling Height

Consult the table below to make sure you have the appropriate downrod length for your ceiling height. For minimum clearance guidelines, consult the Important Safety Instructions booklet included with this installation guide.

Ceiling Height	Fan Diameter	Downrod Length
≥ 8 ft (≥ 2.4 m)	52 in. (132 cm)	5 in. (128.5 mm)
≥ 9 ft (≥ 2.7 m)	52 in. (132 cm)	10 in. (256 mm)
≥ 10 ft (≥ 3 m)	52 in. (132 cm)	22 in. (561 mm)
≥ 11 ft (≥ 3.4 m)	52 in. (132 cm)	34.8 in. (884 mm)
≥ 12 ft (≥ 3.7 m)	52 in. (132 cm)	50.8 in. (1291 mm)
≥ 13 ft (≥ 4 m)	52 in. (132 cm)	62.8 in. (1595 mm)

BEFORE YOU START

☑ Prepare Concrete Ceiling (if applicable)

Drill four $\text{Ø } 8 \text{ mm}$ holes in top of mounting bracket cover in the marked locations (Fig. 1). Use mounting bracket cover as drilling template and drill four $\text{Ø } 8 \text{ mm}$ holes in concrete ceiling. The hole depth should not exceed 40 mm (Fig. 2).

Remove dust from holes. Insert four M6 anchor bolts* into holes. Strike the heads of the anchor bolts with a hammer, ensuring bolt sleeves are flush with ceiling surface. Secure mounting bracket cover to mounting bracket. Make sure round cutout on side of cover is aligned with tab on bracket (see page 7). Position mounting bracket on anchor bolts (Fig. 3). Ensure all anchor bolts are fully tightened to expand and lock the anchors.

If required by local building and safety codes, install an M6 anchor hook* for the safety cable. Drill an $\text{Ø } 8 \text{ mm}$ hole for the anchor hook. The hole depth should not exceed 50 mm (Fig. 2). Remove dust from hole, and then insert the anchor hook and fully tighten.

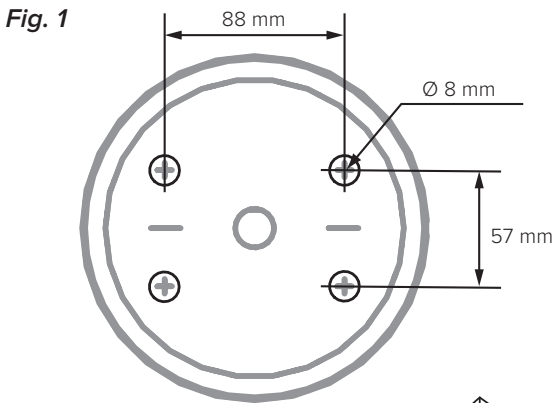


Fig. 2

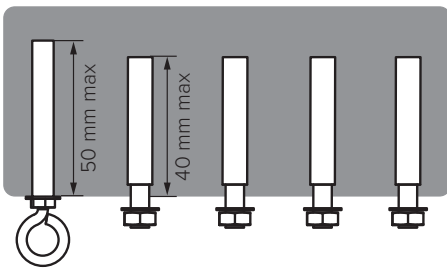
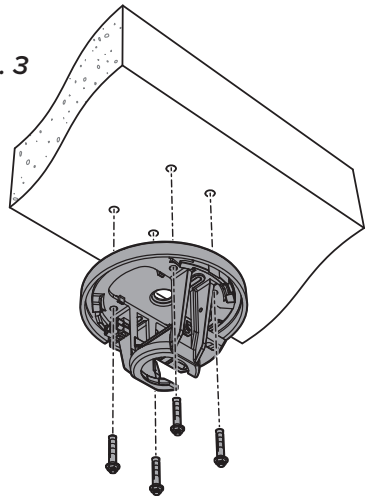


Fig. 3



*If anchor bolts and anchor hook are included with your fan, use them for concrete mounting.

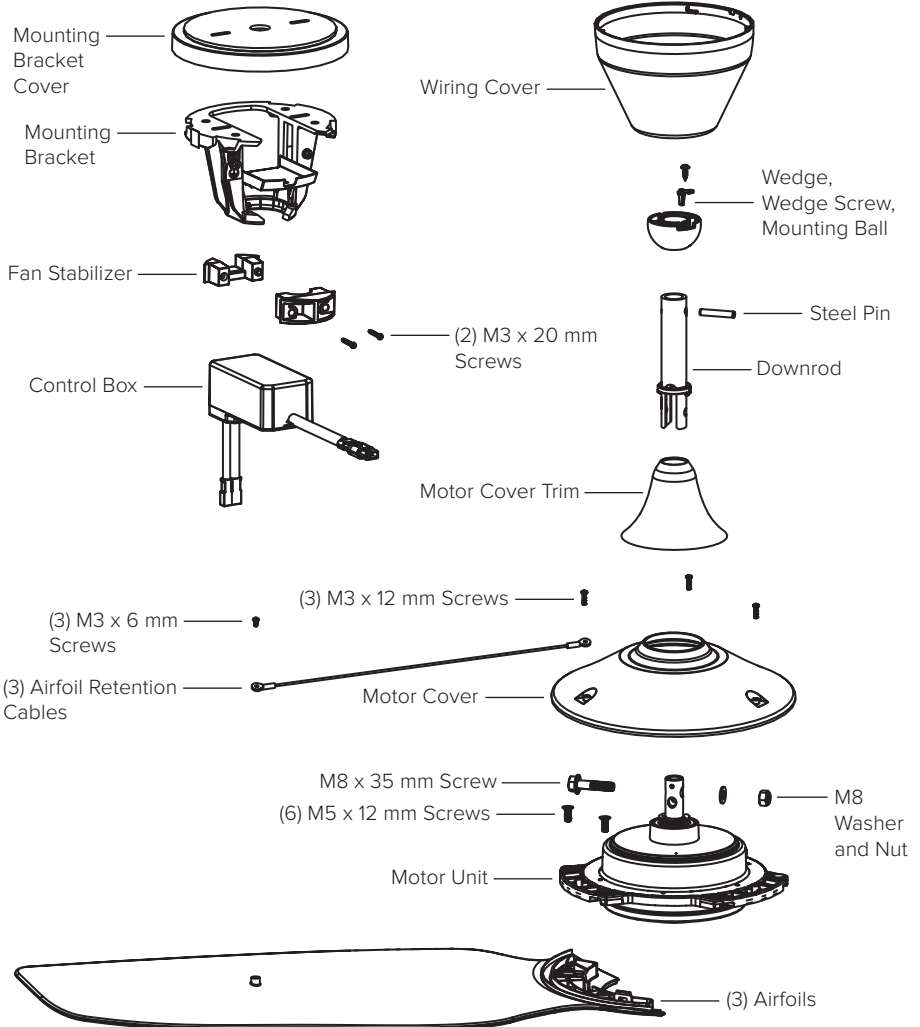
FAN INSTALLATION



The fan stabilizer is required for outdoor installations and is for use on flat ceilings only.



Electrical wires and safety cable not shown.



FAN INSTALLATION

Hardware included

Airfoil Hardware—Step 3

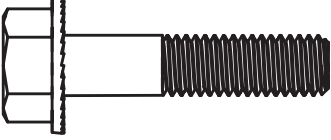
x6  M5 x 12 mm Screw

Motor Cover and Airfoil Retention Cable Hardware—Step 4

x3  M3 x 12 mm Screw

x3  M3 x 6 mm Screw

Lower Mounting Hardware—Step 5

x1  M8 x 35 mm Screw

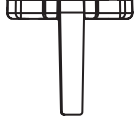
x1  M8 Washer

x1  M8 Nut

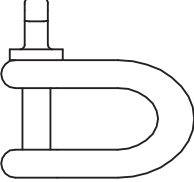
Upper Mounting Hardware—Step 7

x1  Steel Pin

x1  Wedge Screw

x1  Wedge

Safety Cable Shackle—Step 11

x1  Shackle

Fan Stabilizer Hardware—Step 12

x2  M3 x 20 mm Screw

1. Install mounting bracket

⚠ WARNING

**Disconnect power to fan location before installing mounting bracket.
Mount only to an outlet box marked acceptable for fan support.**

Secure mounting bracket cover to mounting bracket. Make sure round cutout on side of cover is aligned with tab on bracket (Fig. 1.1). Secure mounting bracket to mounting structure with suitable hardware (not supplied) (Fig. 1.2). Outlet box shown. Your mounting structure may differ. Mounting bracket electrical wires not shown.

Fig. 1.1

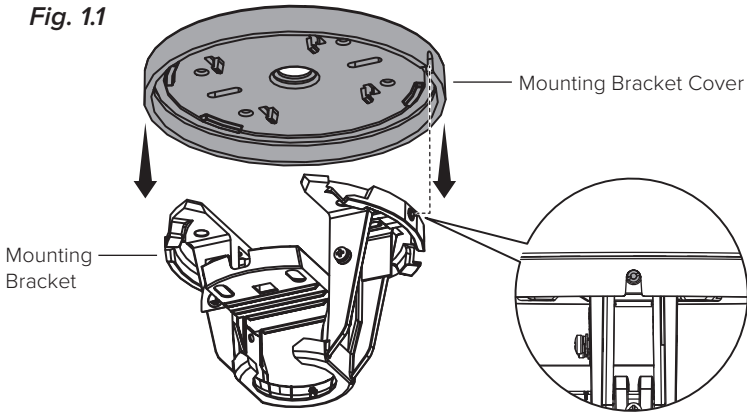
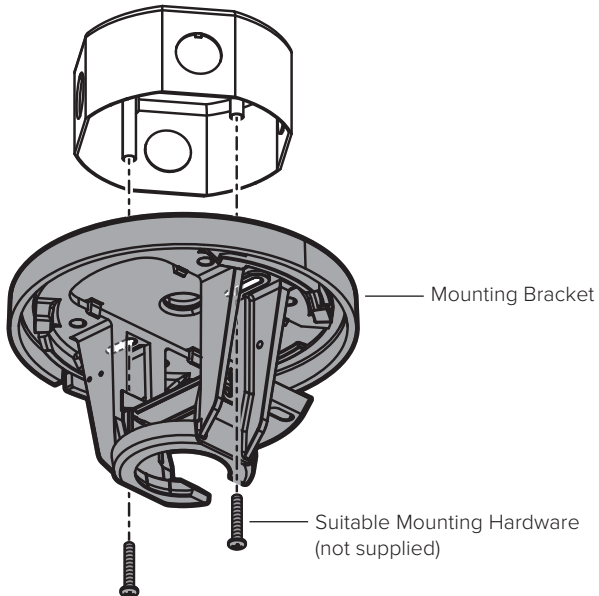


Fig. 1.2



2. Wire fan

WARNING

Disconnect power to fan location before wiring fan.

Do not connect fan to a damaged power source. Do not attempt to resolve electrical failures on your own. Consult a qualified electrician if uncertain of the electrical installation of this fan.

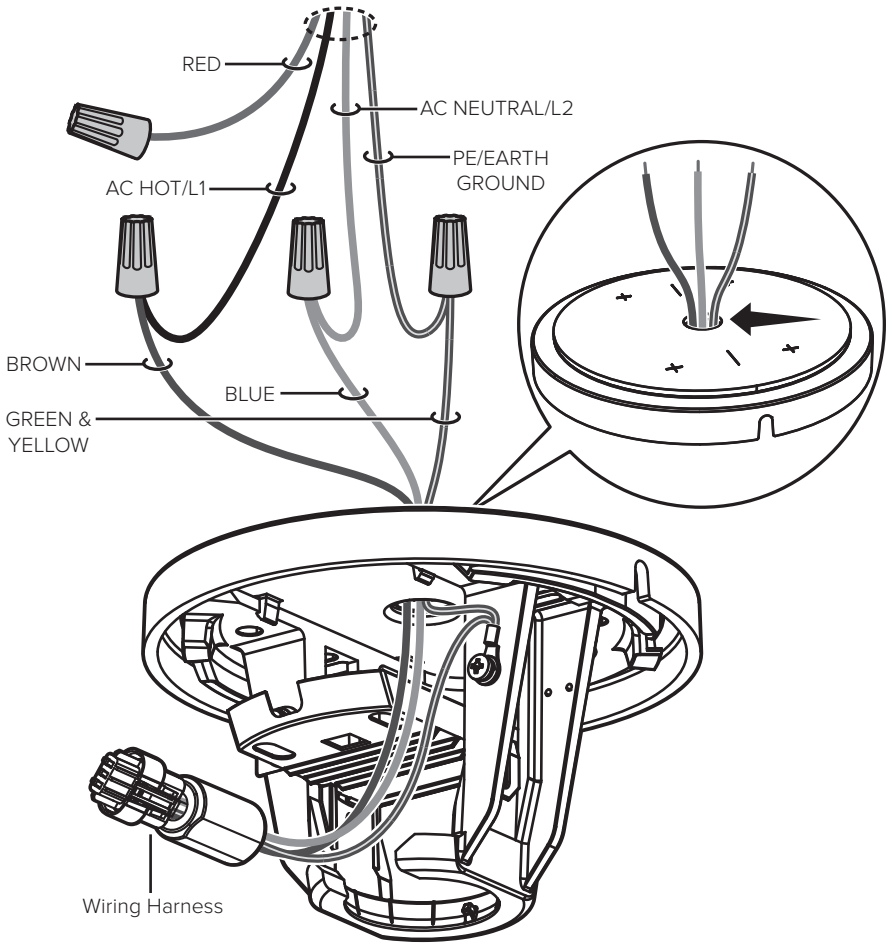
Do not use the fan with a dimmer switch or a third-party switch.

Connect wires from mounting bracket to supply power wires (*Fig. 2*). Carefully tuck wiring into outlet box or building structure so that only the wiring harness is hanging out. Ensure wire connectors are turned upward and that wires are spread apart with grounded conductors on one side of the outlet box/mounting structure and ungrounded conductors on the other side.

Supply Power Wire Colors

	North America 100–120 V	Australia	All other regions
AC Hot/L1 Brown	Black	Brown or Red	Brown
AC Neutral/L2 Blue	White	Black or Light Blue	Blue
PE/Earth Ground Green with Yellow	Green or Bare Copper	Green with Yellow	Green with Yellow

Fig. 2



3. Install airfoils



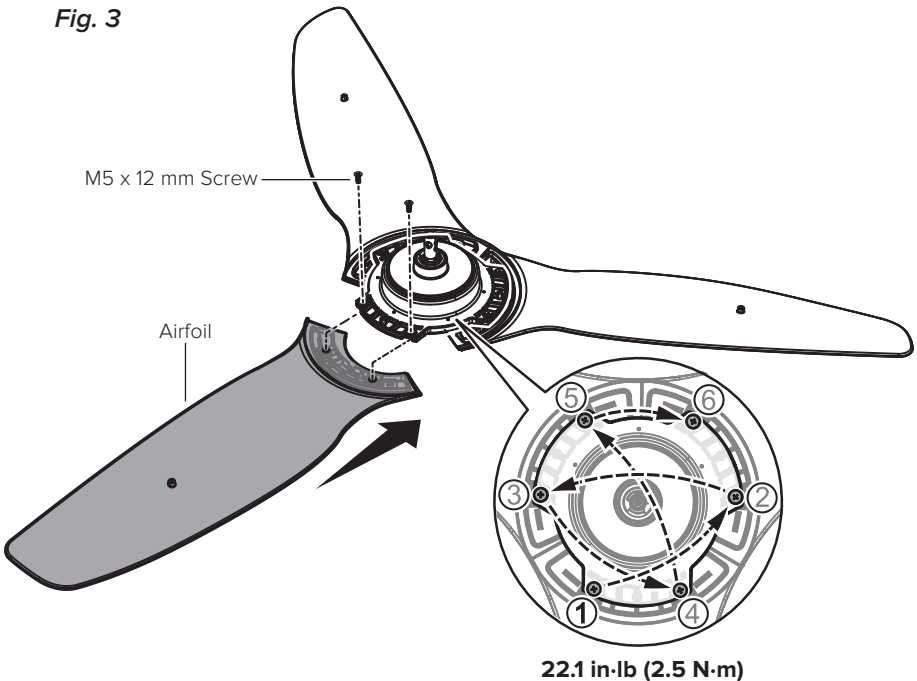
Make sure sticker color on each airfoil matches corresponding sticker color on fan hub.



Tighten airfoil screws to **22.1 in·lb (2.5 N·m)**. Do not use power tools. Over-tightening screws may cause airfoils to warp and void your warranty.

Align each airfoil on fan hub, making sure sticker color on airfoil matches corresponding sticker color on fan hub. Secure airfoils to hub with M5 x 12 mm screws and tighten screws to **22.1 in·lb (2.5 N·m)** in sequence shown (Fig. 3).

Fig. 3



Do not use power tools.

4. Install motor cover and airfoil retention cables

Secure motor cover and airfoil retention cables to motor unit with M3 x 12 mm screws (Fig. 4.1). Secure other end of retention cables to airfoils with M3 x 6 mm screws (Fig. 4.2).

Fig. 4.1

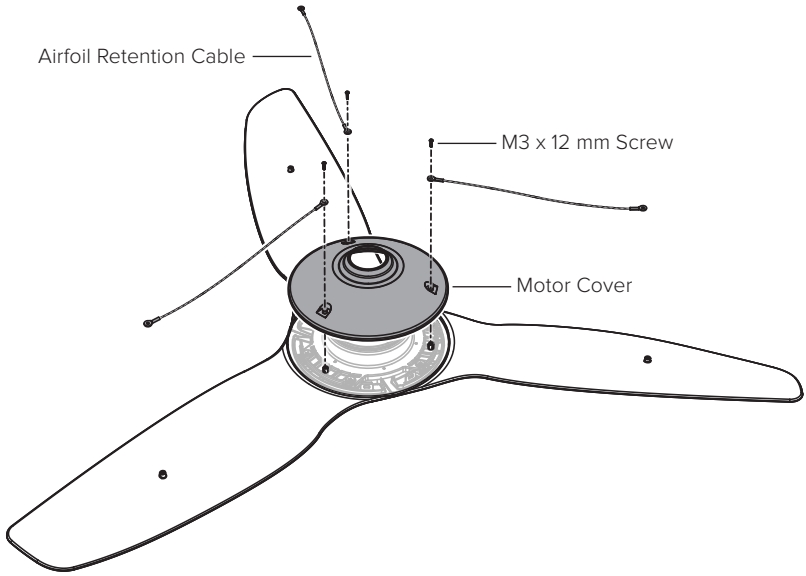
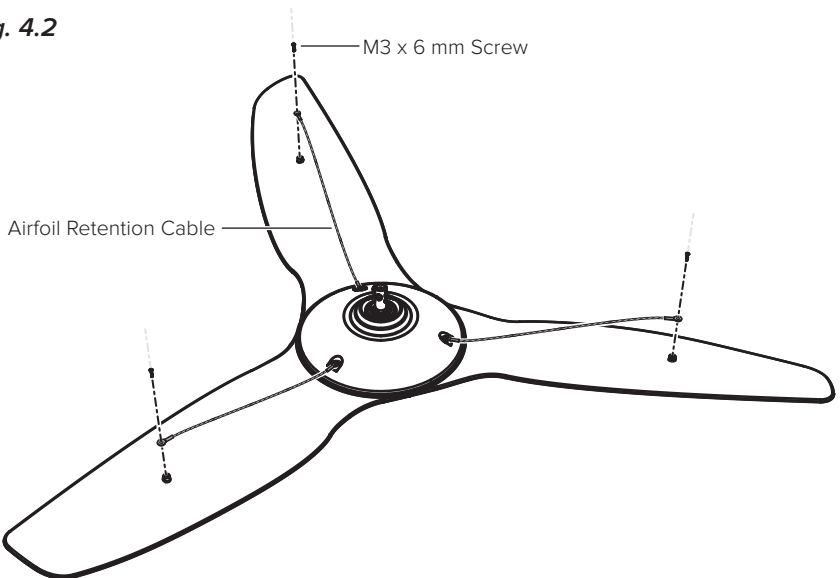


Fig. 4.2



5. Install downrod

Remove ground screw and tag from motor shaft (Fig. 5.1). Align arrow on downrod with arrow on shaft and connect downrod ground wire and safety cable to shaft (Fig. 5.2). Make sure cable lugs are pointing straight up and are not turned at an angle (Fig. 5.3).

Route each wiring harness out of the downrod on the same side as its matching harness on the motor shaft (Fig. 5.4). Secure downrod to shaft with M8 x 35 mm screw, M8 washer, and M8 nut (Fig. 5.4).

Fig. 5.1

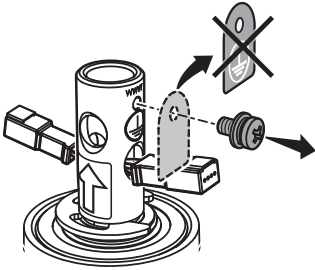


Fig. 5.2

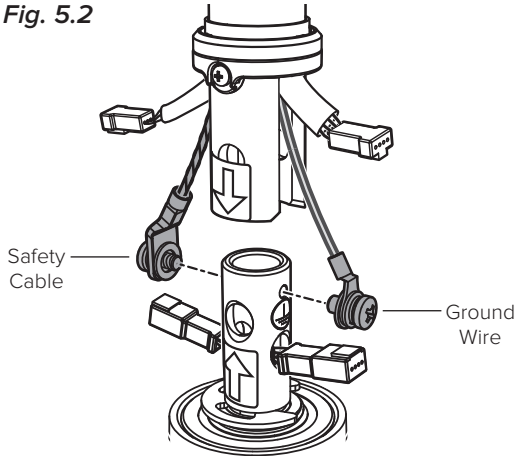


Fig. 5.3

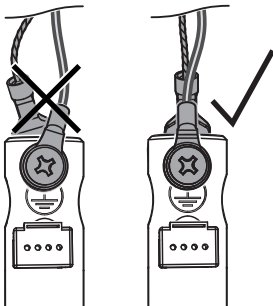
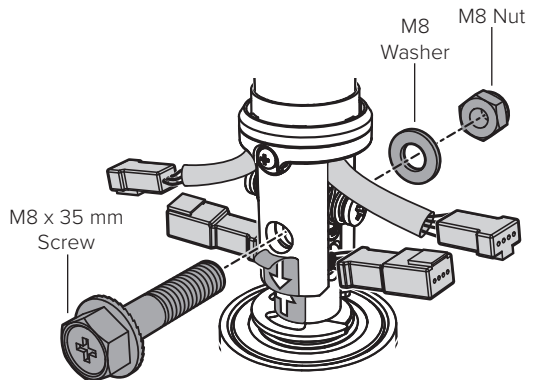


Fig. 5.4



Gently pull downrod wiring harnesses downward to create enough slack to reach motor shaft harnesses, and then connect the harnesses (*Fig. 5.5*).

Make sure all hardware is secure, and then gently tug cables at top of downrod to reduce slack (*Fig. 5.6*).

Fig. 5.5

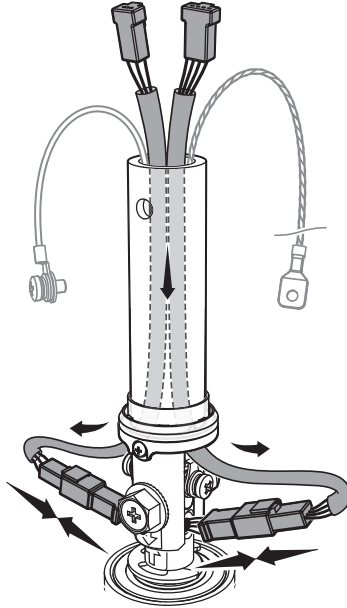
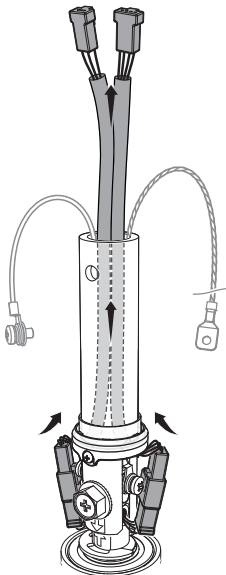


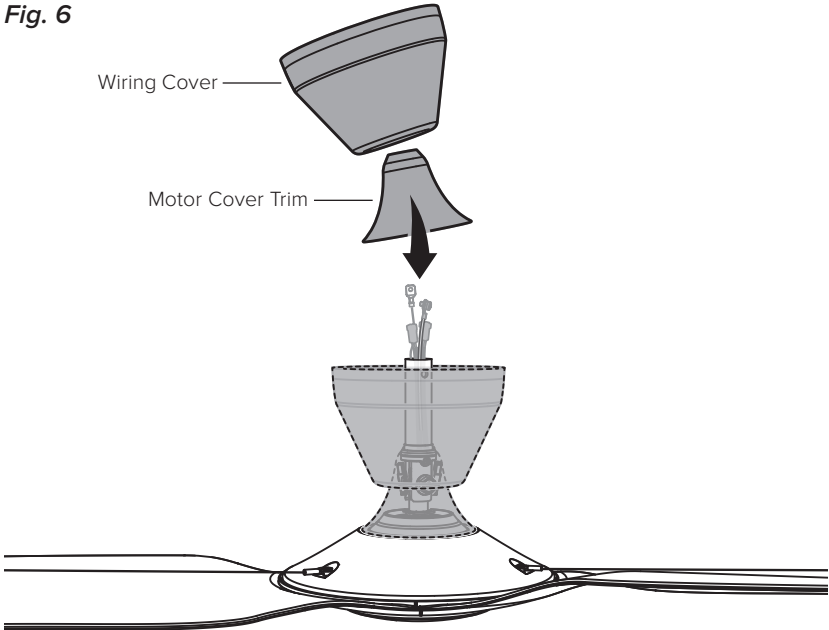
Fig. 5.6



6. Position motor cover trim and wiring cover

Slide motor cover trim down the downrod until it stops. There will be a small gap between the trim and the motor cover. Slide the wiring cover down the downrod, resting it on the motor cover trim (*Fig. 6*).

Fig. 6



7. Install mounting ball



Do not over-tighten the wedge screw.

Slide mounting ball over downrod (Fig. 7.1).

Insert steel pin into hole at top of downrod, and then slide the mounting ball upward, seating the steel pin in the inner slots (Fig. 7.2).

Insert wedge into mounting ball and secure with wedge screw (Fig. 7.3). Tighten screw enough to prevent movement between the mounting ball and downrod, but do not over-tighten.

Fig. 7.1

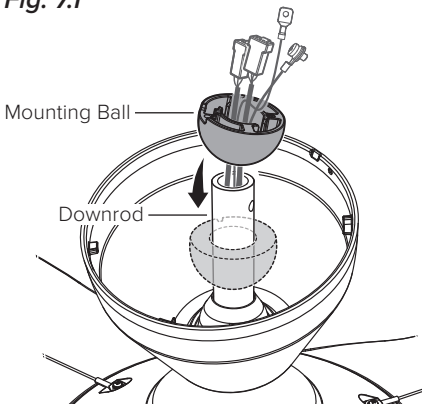


Fig. 7.2

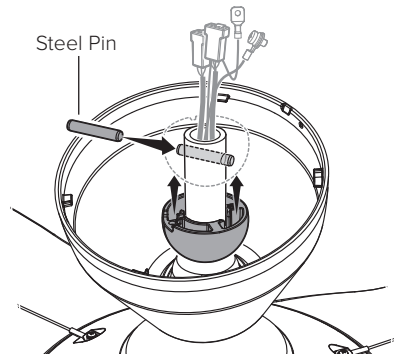
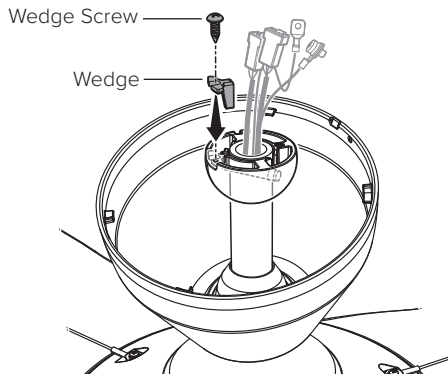


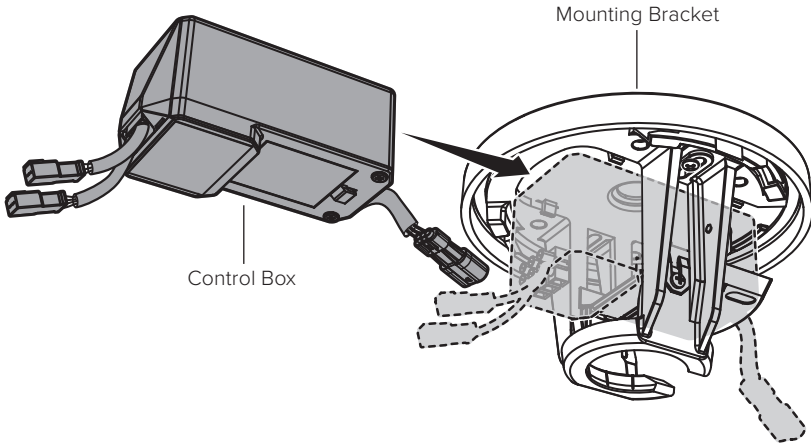
Fig. 7.3



8. Install control box

Slide control box into mounting bracket tray (Fig. 8).

Fig. 8

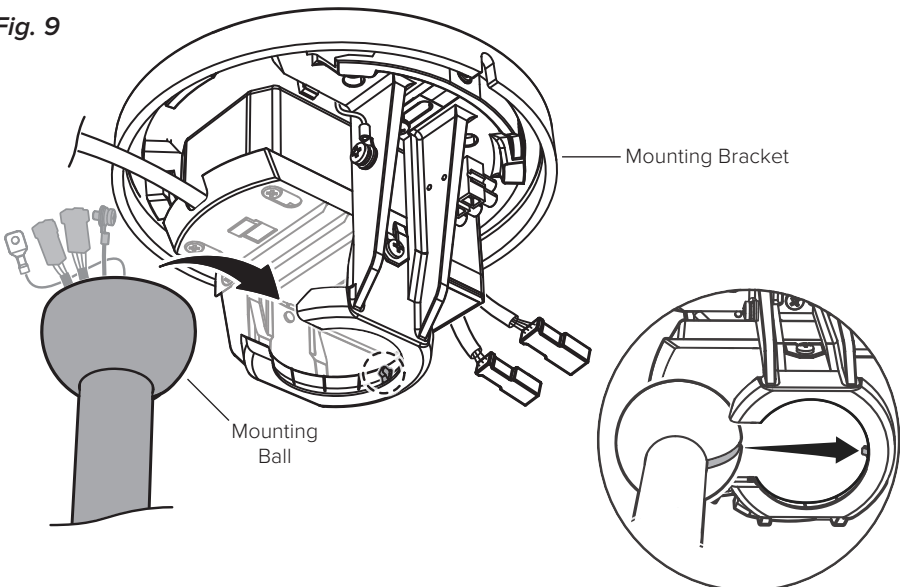


9. Hang fan

Raise fan to mounting bracket. Align rib in mounting bracket with slot in mounting ball, position mounting ball, and let fan hang freely (Fig. 9).

Gently twist downrod to ensure it is properly seated and will not move during fan operation.

Fig. 9



10. Connect wiring harnesses and Earth/Ground wire

Connect the two wiring harnesses from the downrod to the harnesses on the back of the control box (Fig. 10.1). Remove ground screw and tag from mounting bracket and secure green Earth/Ground wire from downrod to mounting bracket (Fig. 10.1).

Connect wiring harness from ceiling to wiring harness on front of control box (Fig. 10.2). Peel backing off of double-sided tape on mounting bracket and secure ferrite core to tape (Fig. 10.2).

Fig. 10.1

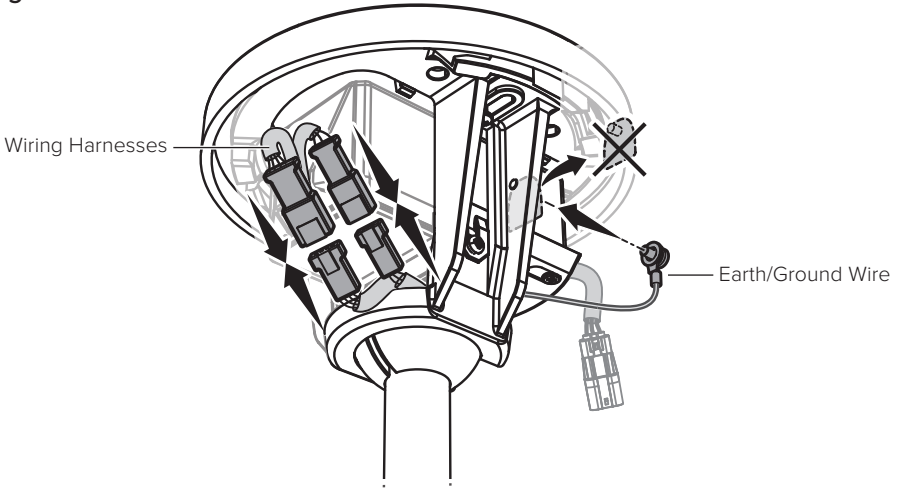
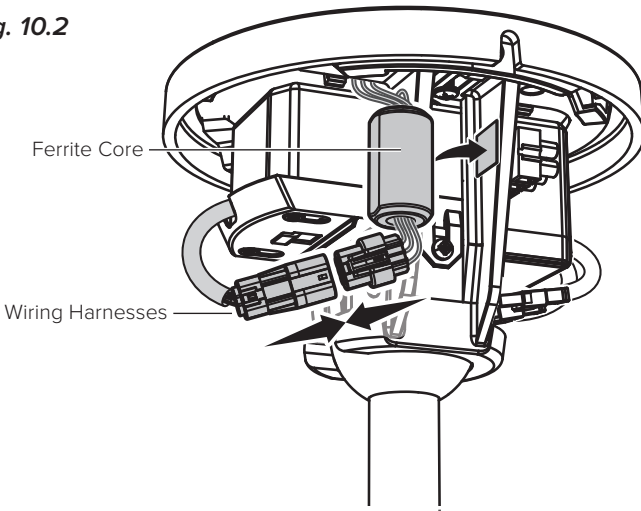


Fig. 10.2



11. Secure safety cable

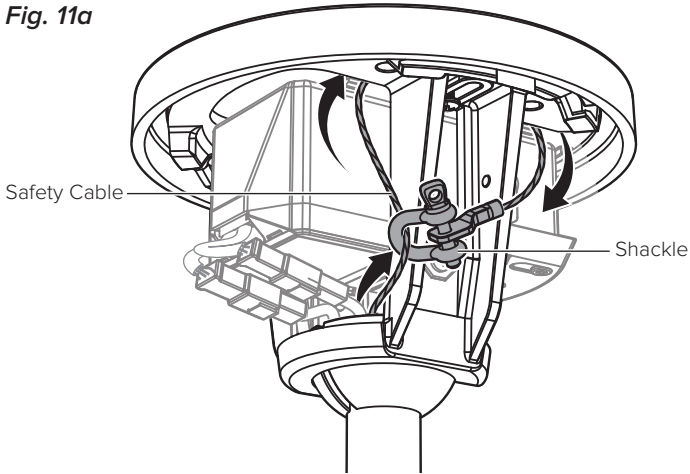


Some local safety codes require the safety cable to be secured directly to an existing part of the building structure (Canada, Singapore). It may be necessary to install additional structural material to provide attachment points. Check your local safety code if you are unsure.

Mounting Bracket

Loop safety cable around mounting bracket and secure with shackle (Fig. 11a).

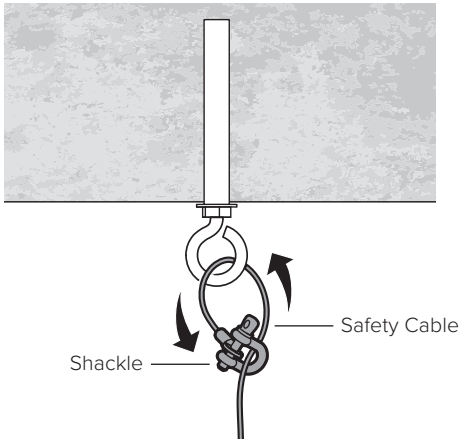
Fig. 11a



Anchor Hook

Loop safety cable around anchor hook and secure with shackle (Fig. 11b).

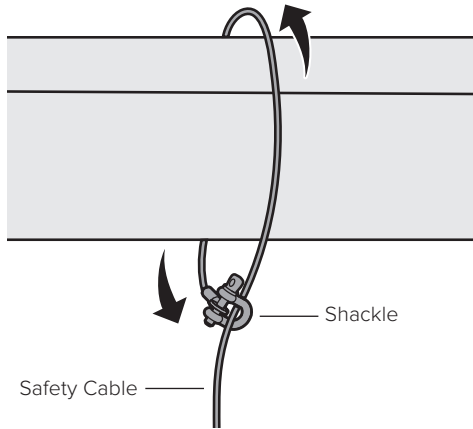
Fig. 11b



Building Structure

Loop safety cable around building structure and secure with shackle (Fig. 11c). Acceptable building structures include a wooden beam or a metal mounting brace secured between two beams. In some cases, it may be necessary to install additional structural material to provide attachment points.

Fig. 11c



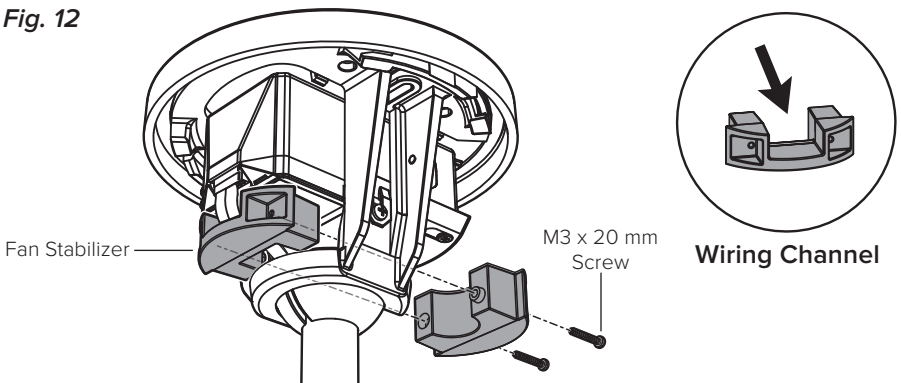
12. Install fan stabilizer



The fan stabilizer is required for outdoor installations and is for use on flat ceilings only.

Insert the two halves of the fan stabilizer between bottom of control box tray and top of mounting ball (Fig. 12). Make sure wires and safety cable from downrod are routed through the wiring channel in the stabilizer. Secure stabilizer with M3 x 20 mm screws (Fig. 12). Safety cable and some electrical wires not shown.

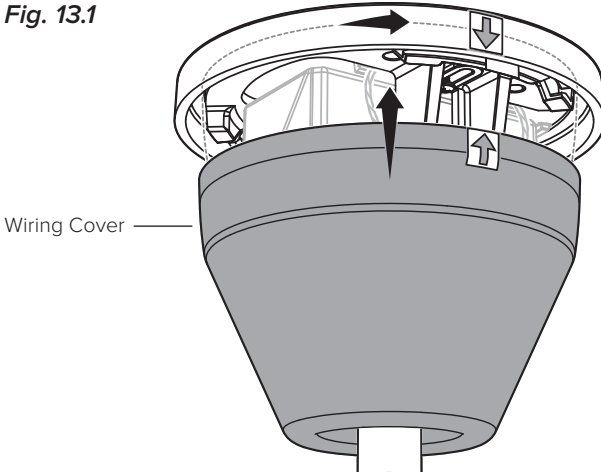
Fig. 12



13. Secure wiring cover

Slide wiring cover up the downrod, aligning yellow arrow stickers so that top of wiring cover sits flush with mounting bracket. Make sure all wires and the safety cable are tucked into wiring cover, and then twist wiring cover clockwise to lock (Fig. 13.1).

Fig. 13.1



Removing the wiring cover

If you need to remove the wiring cover, use a long, thin object such as a small Allen wrench or pen tip to press the recessed tab on the wiring cover (Fig. 13.2). While pressing the tab, turn the cover counterclockwise (Fig. 13.2) and slide down to remove (Fig. 13.3).

Fig. 13.2

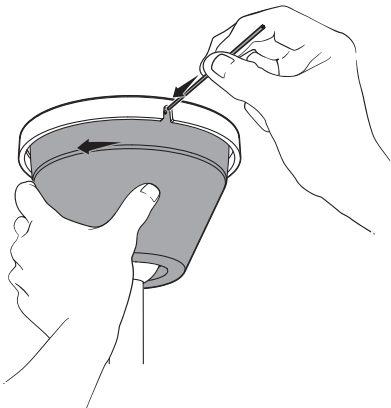
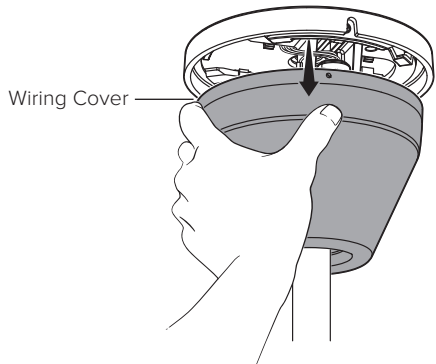


Fig. 13.3



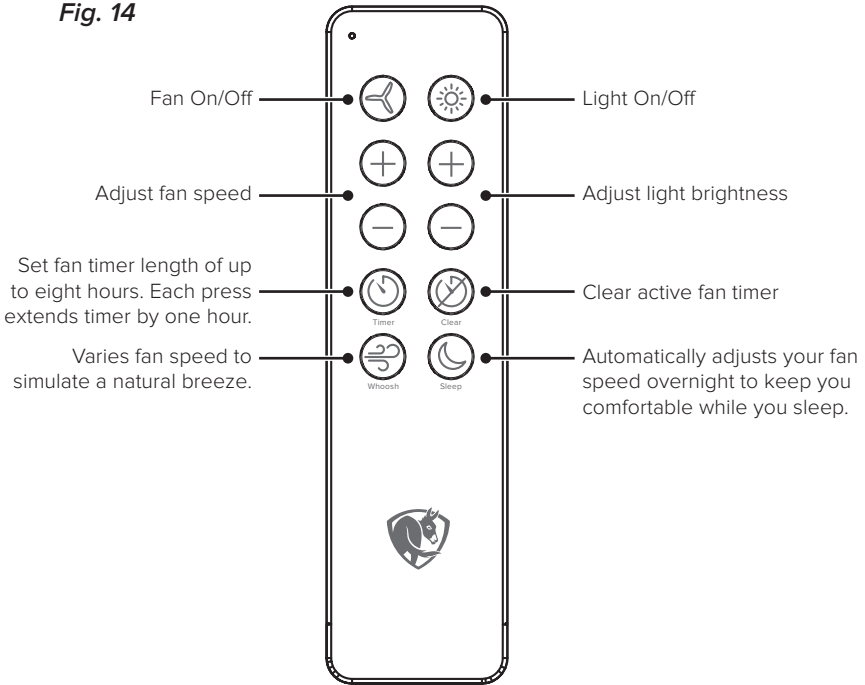
14. Test fan

CAUTION

Do not expose the remote control to rain or water.

Congratulations! Installation is now complete. Turn on power and test your fan using the remote (Fig. 14). Note: It is normal for the fan to jerk forward and backward slightly for a few seconds when first turned on.

Fig. 14



Big Ass Fans Mobile App




Download the Big Ass Fans mobile app to group multiple fans, adjust their settings, and set your comfort preferences for hands-free control. For smart device integration instructions, visit www.bigassfans.com/support

After connecting your fan to the app, use the app to make sure the fan's firmware is up to date.



TROUBLESHOOTING

Issue	Solution
The fan jerks upon startup.	This is normal and may happen occasionally upon startup. An initial slight jerking forward and backward does not affect fan operation.
The fan will not start.	<ul style="list-style-type: none">• Make sure the fan is receiving power. Check your circuit breaker or fuse panel and wall switch for functionality.• Make sure supply power is adequate.• Make sure all wires are securely connected and the fan is properly wired and grounded.• Make sure the batteries are properly installed in the remote.
The fan wobbles.	<ul style="list-style-type: none">• Make sure all mounting hardware is secure and tight.• Remove the airfoils and make sure the sticker on each airfoil matches the corresponding sticker on the motor unit. If the stickers do not match, move the airfoils to the matching attachment points.• Make sure all airfoils are aligned properly and are securely fastened to the motor unit.• If an airfoil is damaged, contact Customer Service. Airfoils must be replaced as a set. Do not replace individual airfoils.
The fan is noisy during operation.	<p>Bring the fan to a complete stop.</p> <ul style="list-style-type: none">• Gently turn the airfoils by hand, making sure there are no fan parts rubbing on the hub when the fan rotates.• Check all mounting and fan hardware. If loose, tighten.
I need to reboot the fan.	<p>Press and hold the fan On/Off button on the remote until the fan's LED indicators start blinking. Within 30 seconds of the LEDs blinking, press the fan On/Off button again. When the LEDs stop blinking, the reboot is complete.</p>
The remote will not control the fan/light.	<p>Turn off power to the fan at the wall switch or circuit breaker. Wait 30 seconds, and then turn power back on. Test fan/light operation using the remote. If the remote still will not control the fan/light, contact Customer Service.</p>

Issue	Solution
I need to remove the fan's wiring cover.	<p data-bbox="409 175 1005 284">Use a long, thin object such as a small Allen wrench or pen tip to press the recessed tab on the wiring cover. While pressing the tab, turn the cover counterclockwise and slide down to remove.</p>  <p data-bbox="489 795 617 820">Wiring Cover</p>

MAINTENANCE

WARNING

Risk of fire, electric shock, or injury to persons during cleaning and user maintenance. Disconnect the appliance from the power supply before servicing.

Please take a few moments each year to perform the following preventative maintenance procedures on your fan to ensure its safe and efficient operation.

Check the safety cable, hardware, and wiring

- ✓ Check that the safety cable is properly installed by sliding the wiring cover down the downrod and examining the safety cable and hardware.
- ✓ Make sure the mounting hardware and the screws securing the airfoils to the motor unit are securely fastened.
- ✓ Make sure the wire connectors are secure and the ground wire is securely connected.

Clean the airfoils

Dust the airfoils regularly. If the fan becomes dirty, clean it with a soft cloth. Do not use solvents, gasoline, or any other chemical cleaners. These may cause surface distortion and damage to the fan.

Clean the light

Clean the light's lens periodically to ensure optimal performance. Wipe the lens with a soft cloth. If necessary, use water and a mild soap or a gentle liquid cleaner. Do not clean the light or lens with scouring pads, alkaline cleaning substances, gasoline, thinner, benzene, heating oil, or polishing powder.

Operating your fan

The fan must be operated within the rated ambient operating temperature range: 32° to 104° F (0° to 40° C).



For more operation, maintenance, and troubleshooting information, visit www.bigassfans.com/support

CONTACT US

United States

2348 Innovation Drive
Lexington, KY 40511
USA
877-244-3267
Outside the U.S. (+1 859-233-1271)
bigassfans.com

Australia

35 French Street
Eagle Farm, Brisbane
QLD 4009
Australia
+61 1300 244 277
bigassfans.com/au

Singapore

50 Ubi Crescent
#01-01 Ubi TechPark
Singapore 408568
+65 6709 8500
bigassfans.com/sg

All Other Geographies

+1 859-410-6286
bigassfans.com

Canada

2180 Winston Park Drive
Oakville, Ontario L6H 5W1
Canada
1 844-924-4277
bigassfans.com/ca

Mexico

CEBSA (Corporación Eléctrica del
Bravo SA de CV)
Avenida Ind. Rio San Juan
Lote 3-A Parque Industrial del Norte
Reynosa, Tamps C.P. 88736
+52 1 899 925 6398
<http://cebsainc.com/>

Gomez & Hilman Home Appliances
SA de CV
Calle Valerio González, No. 714,
Col. Primero de Mayo, Los Cabos,
Baja California, C.P. 23406, México
Office: 624-688-3889

The information contained in this document is subject to change without notice. For the most up-to-date information, see the online printable installation guide at www.bigassfans.com/support

Haiku® is a trademark of Delta T LLC, registered in the U.S. and/or other countries.

Google Play is a trademark of Google LLC.

www.bigassfans.com/patents · www.bigassfans.com/product-warranties

© 2023 DELTA T LLC. ALL RIGHTS RESERVED.

FRANÇAIS

CONTENU

Caractéristique	1
Avant de commencer	2
Installation du ventilateur	5
Dépannage.....	22
Maintenance	24
Contactez-nous.....	25



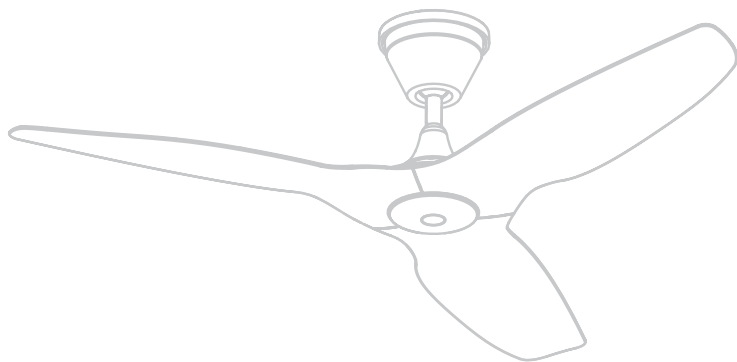
Rév. C
12/05/2023

LISEZ ET CONSERVEZ CES INSTRUCTIONS



TECHNIQUES

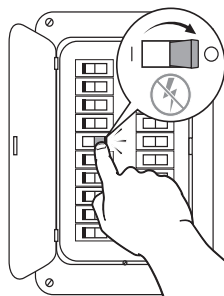
Modèle	Montage	Tension d'entrée	Poids maximum	Puissance maximale en watts
MK-HKC1-042506	Plafonds plats de 2,4 m (8 pi) ou plus	100–240 V CA, 1 Φ , 50/60 Hz	6,4 kg (14,2 lb)	42 W



AVANT DE COMMENCER

☑ Coupez l'alimentation au niveau du disjoncteur

Contactez un électricien certifié si vous n'êtes pas à l'aise pour réaliser le travail électrique. Si le code local l'exige, un électricien certifié doit réaliser l'installation du ventilateur.



☑ Réunir les outils



☑ Préparez le site du ventilateur et rassemblez le matériel

ATTENTION

N'utilisez pas le ventilateur avec un gradateur ou un interrupteur tiers.

Boîte de sortie : Assurez-vous que votre boîte de sortie est appropriée pour le support de ventilateur. S'il n'y a pas de boîtier de sortie à l'emplacement du ventilateur, en installer un sur une poutre de plafond ou une poutre. Vous devrez fournir deux vis 10-32 pour fixer le support de montage du ventilateur au boîtier de sortie.

Plafond en béton : Vous devrez fournir quatre boulons d'ancrage M6* pour fixer le support de montage du ventilateur au plafond. Si les codes locaux du bâtiment et de sécurité l'exigent, vous devrez également fournir un crochet d'ancrage M6* pour le câble de sécurité. Voir la page 4 pour les spécifications matérielles et les détails d'installation.

Solive de plafond en bois : Vous devrez fournir deux vis en bois à tête hexagonale résistant à la corrosion de 12-11 x 45 mm avec joint pour fixer le support de montage du ventilateur directement sur la solive. Si le code local l'exige, monter ou encaster une boîte de sortie dans la solive. La boîte de sortie doit être adaptée au support du ventilateur.

Emplacements extérieurs exposés :** Les ventilateurs à indice de protection humide installés dans des lieux extérieurs exposés doivent avoir une couverture fixe/permanente au-dessus du couvercle du câblage du ventilateur, doivent être installés dans un circuit de branchement protégé par GFCI et ne peuvent être montés que sur des plafonds plats.

*Si des boulons d'ancrage et un crochet d'ancrage sont fournis avec votre ventilateur, utilisez-les pour le montage sur béton.

**Lorsque vous installez le ventilateur dans un endroit extérieur exposé, utilisez uniquement des trusses d'éclairage portant la mention " Convient pour une utilisation dans des endroits humides " .

☑ Vérifier la hauteur du plafond

Consultez le tableau ci-dessous pour vous assurer que vous avez la longueur de tige de descente appropriée pour votre hauteur de plafond. Pour connaître les directives de dégagement minimal, consultez le livret d'instructions de sécurité importantes inclus dans ce guide d'installation.

Hauteur du plafond	Diamètre de ventilateur	Longueur de la tige descendante
≥ 2,4 m (≥ 8 pi)	132 cm (52 po)	128,5 mm (5 po)
≥ 2,7 m (≥ 9 pi)	132 cm (52 po)	256 mm (10 po)
≥ 3 m (≥ 10 pi)	132 cm (52 po)	561 mm (22 po)
≥ 3,4 m (≥ 11 pi)	132 cm (52 po)	884 mm (34,8 po)
≥ 3,7 m (≥ 12 pi)	132 cm (52 po)	1291 mm (50,8 po)
≥ 4 m (≥ 13 pi)	132 cm (52 po)	1595 mm (62,8 po)

☑ Préparez un plafond en béton (le cas échéant)

Percez quatre trous de 8 mm de diamètre en haut du couvercle du support de montage dans les emplacements marqués (Fig. 1). Utilisez le couvercle du support de montage comme gabarit de perçage et percez quatre trous de 8 mm de diamètre dans le plafond en béton. La profondeur du trou ne doit pas dépasser 40 mm (Fig. 2).

Enlevez la poussière des trous. Insérez quatre boulons d'ancrage M6* dans les trous. Frappez la tête des boulons d'ancrage avec un marteau pour vous assurer que les manchons des boulons sont au même niveau que la surface du plafond. Fixez le couvercle du support de montage au support de montage. Assurez-vous que la découpe ronde sur le côté du couvercle est alignée avec la languette du support (voir la page 7). Positionnez le support de montage sur les boulons d'ancrage (Fig. 3). Assurez-vous que tous les boulons d'ancrage sont complètement serrés pour étendre et verrouiller les ancrages.

Si les codes de construction et de sécurité locaux l'exigent, installez un crochet d'ancrage M6* pour le câble de sécurité. Percez un trou Ø 8 mm de diamètre pour le crochet d'ancrage. La profondeur du trou ne doit pas dépasser 50 mm (Fig. 2). Retirez la poussière du trou, puis insérez le crochet d'ancrage et serrez à fond.

Fig. 1

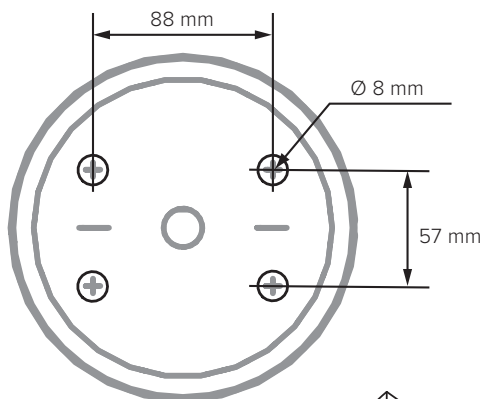


Fig. 2

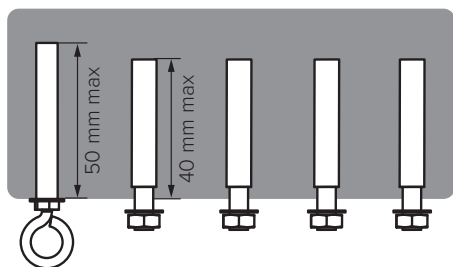
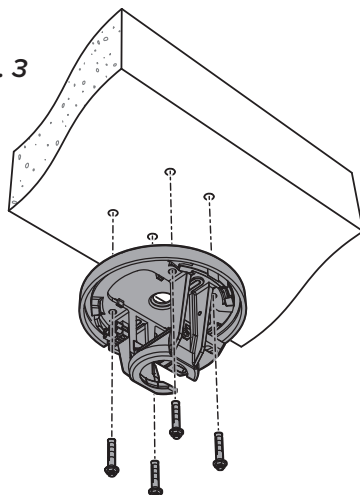


Fig. 3



*Si des boulons d'ancrage et un crochet d'ancrage sont fournis avec votre ventilateur, utilisez-les pour le montage sur béton.

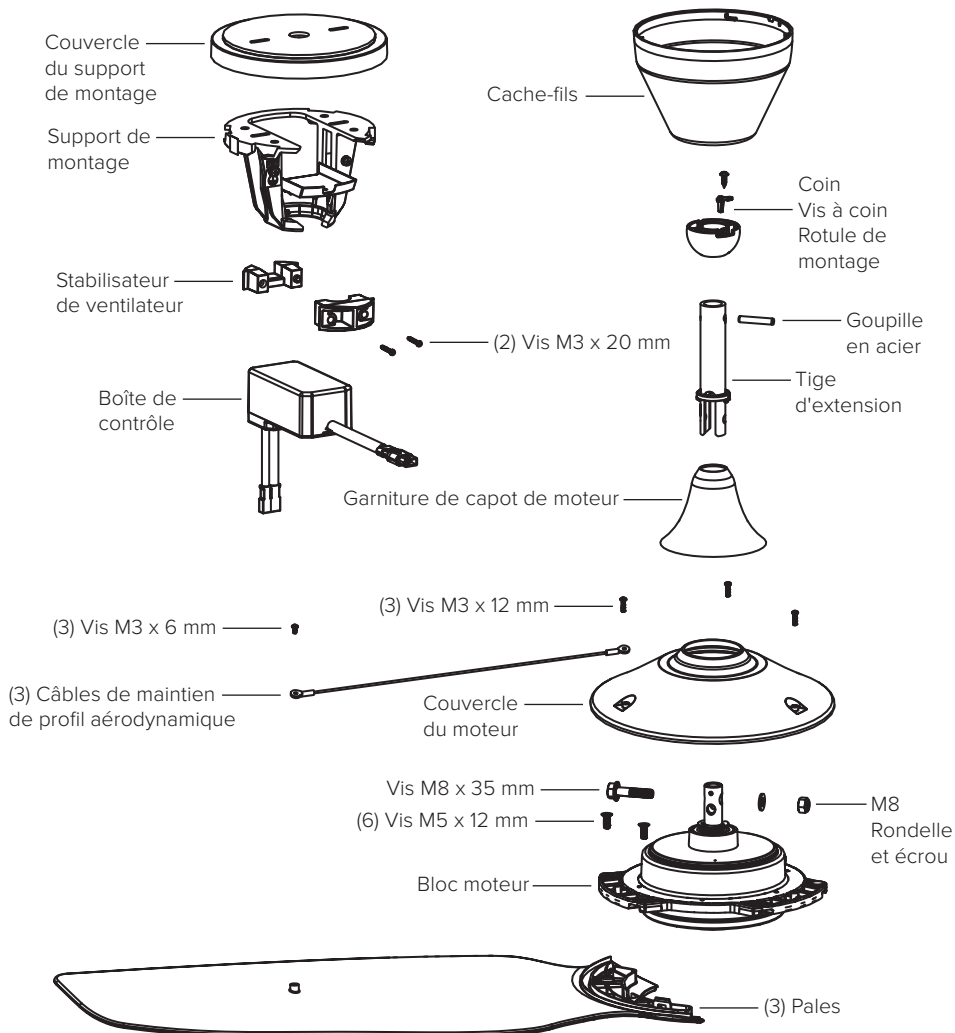
INSTALLATION DU VENTILATEUR



Le stabilisateur de ventilateur est requis pour les installations extérieures et est utilisé uniquement sur les plafonds plats.



Fils électriques et câble de sécurité non représentés.



INSTALLATION DU VENTILATEUR

Matériel incluse

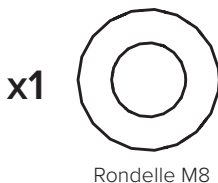
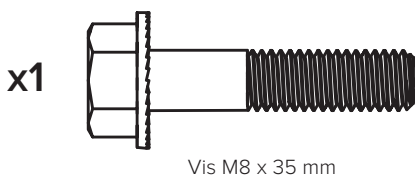
Matériel de pale—Étape 1



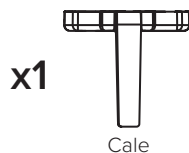
Capot du moteur et matériel du câble de retenue du profil aérodynamique— Étape 4



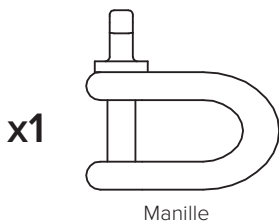
Matériel de montage inférieur—Étape 5



Matériel de montage supérieure—Étape 7



Manille de câble de sécurité—Étape 11



Matériel de stabilisateur de ventilateur—Étape 12



1. Installer le support de montage

AVERTISSEMENT

Débranchez l'alimentation au niveau de l'emplacement du ventilateur avant de procéder à l'installation du support de montage.

Montez uniquement sur une boîte de sortie marquée acceptable pour le support du ventilateur.

Fixez le couvercle du support de montage au support de montage. Assurez-vous que la découpe ronde sur le côté du couvercle est alignée avec la languette du support (Fig. 1,1). Fixez le support de montage à la structure de montage à l'aide du matériel approprié (non fourni) (Fig. 1,2). *Boîte de sortie illustrée. Votre structure de montage peut être différente. Les fils électriques du support de montage ne sont pas illustrés.*

Fig. 1,1

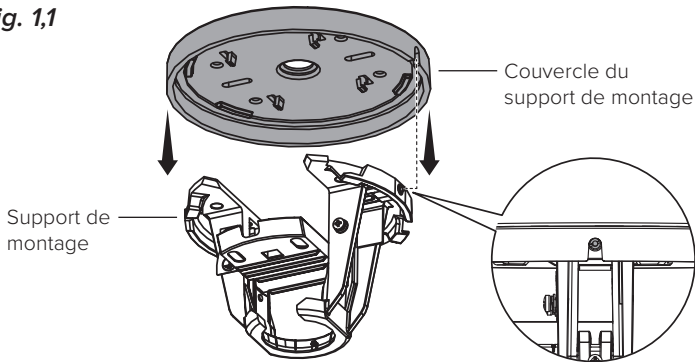
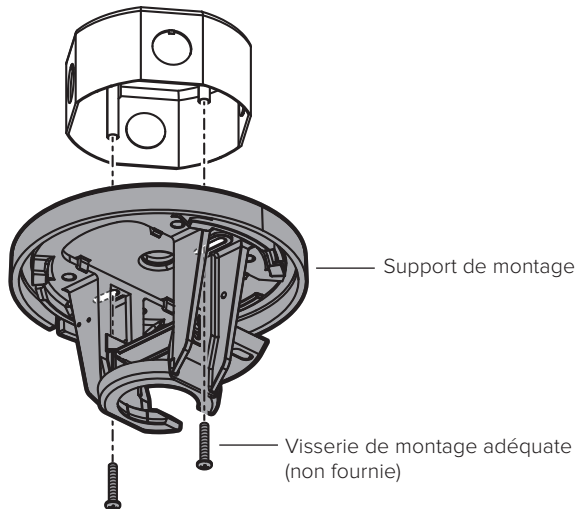


Fig. 1,2



2. Raccorder le ventilateur



AVERTISSEMENT

Débranchez l'alimentation à l'emplacement du ventilateur avant de réaliser le câblage du ventilateur.

Ne branchez pas le ventilateur à une source d'alimentation endommagée. Ne tentez pas de résoudre les défaillances électriques par vous-même. Consultez un électricien certifié si vous n'êtes pas certain de l'installation électrique de ce ventilateur.

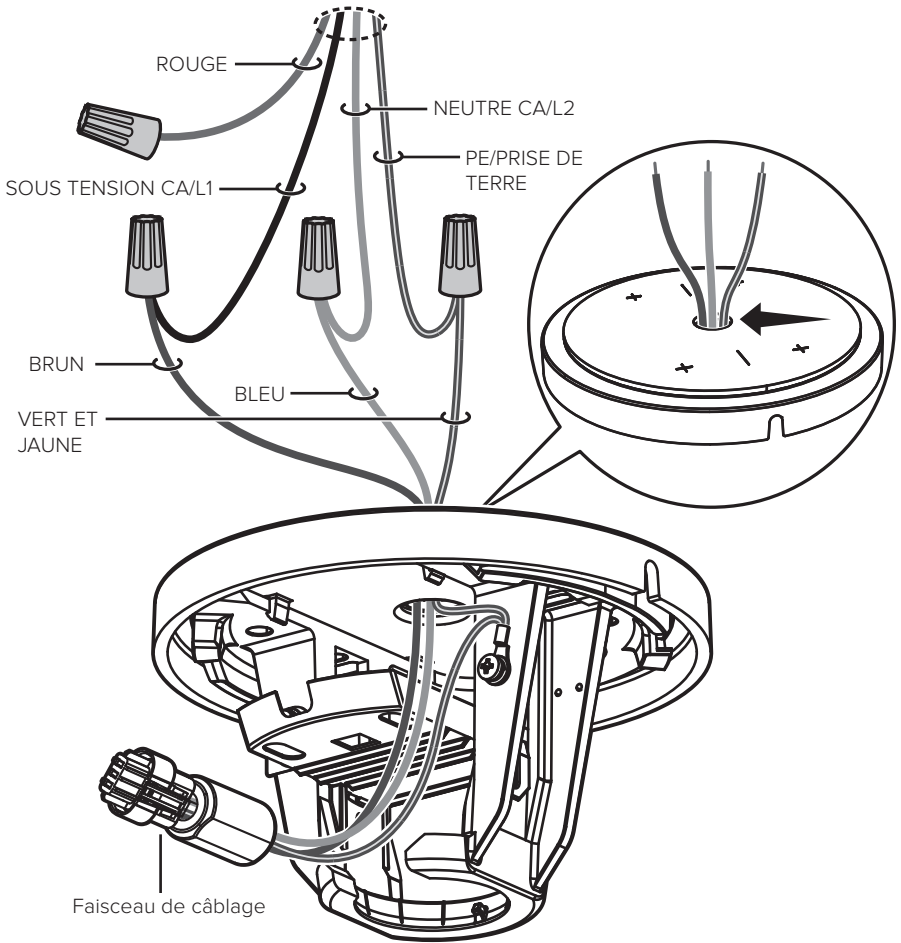
N'utilisez pas le ventilateur avec un gradateur ou un interrupteur tiers.

Branchez les fils du support de montage aux fils d'alimentation (*Fig. 2*). Insérez soigneusement le câblage dans le boîtier de prise ou dans la structure du bâtiment de manière à ce que seul le faisceau de câbles soit suspendu. Assurez-vous que les connecteurs soient tournés vers le haut et que les fils soient écartés avec des conducteurs liés à la terre d'un côté de la boîte de sortie/de la structure de montage et des conducteurs non liés à la terre de l'autre côté.

Couleurs des fils d'alimentation

	Amérique du Nord 100 à 120 V	Australie	Toutes les autres régions
Sous tension CA/L1 Brun	Noir	Brun ou rouge	Brun
Neutre CA/L2 Bleu	Blanc	Noir ou bleu pâle	Bleu
PE/Prise de terre Vert avec jaune	Vert ou cuivre dénudé	Vert avec jaune	Vert avec jaune

Fig. 2



3. Poser les pales



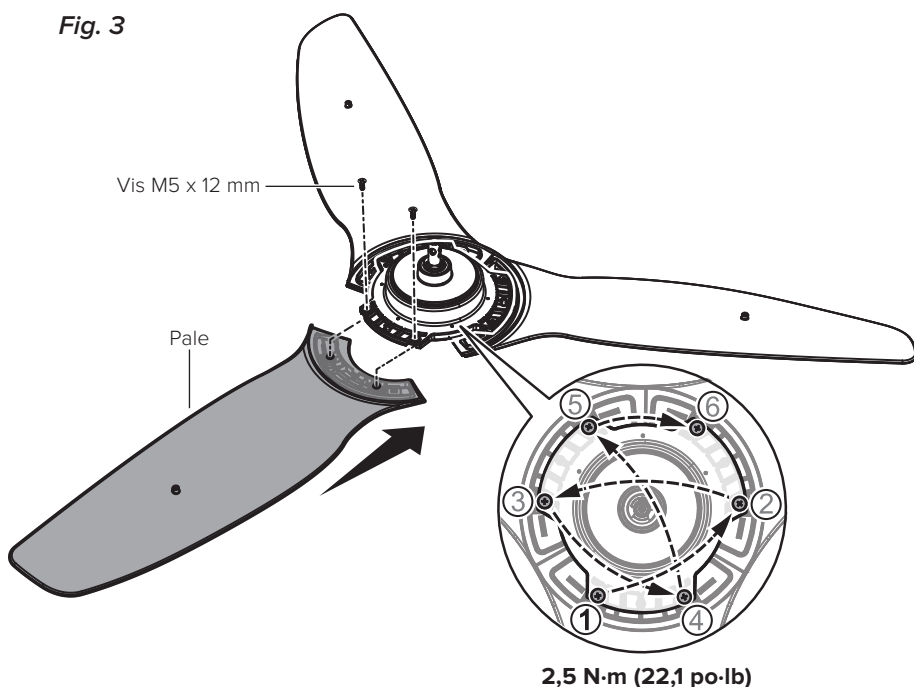
Assurez-vous que la couleur de l'autocollant sur chaque profil d'air correspond à la couleur de l'autocollant sur le moyeu du ventilateur.



Serrez les vis de profil à **2,5 N·m (22,1 po·lb)**. **N'utilisez pas d'outils électriques.** Un serrage excessif des vis peut entraîner la déformation des profils aérodynamiques et l'annulation de votre garantie.

Alignez chaque aile sur le moyeu du ventilateur, en veillant à ce que la couleur de l'autocollant sur l'aile corresponde à la couleur de l'autocollant sur le moyeu du ventilateur. Fixez les ailettes au moyeu à l'aide des vis M5 x 12 mm et serrez les vis à **2,5 N·m (22,1 po·lb)** dans l'ordre indiqué (Fig. 3).

Fig. 3



N'utilisez pas d'outils électriques.

4. Installer le couvercle du moteur et les câbles de rétention du profil aérodynamique

Fixez le couvercle du moteur et les câbles de fixation du profil aérodynamique à l'unité motrice avec des vis M3 x 12 mm (Fig. 4,1). Fixez les autres câbles de fixation à l'extrémité des profils aérodynamiques à l'aide de vis M3 x 6 mm (Fig. 4,2).

Fig. 4,1

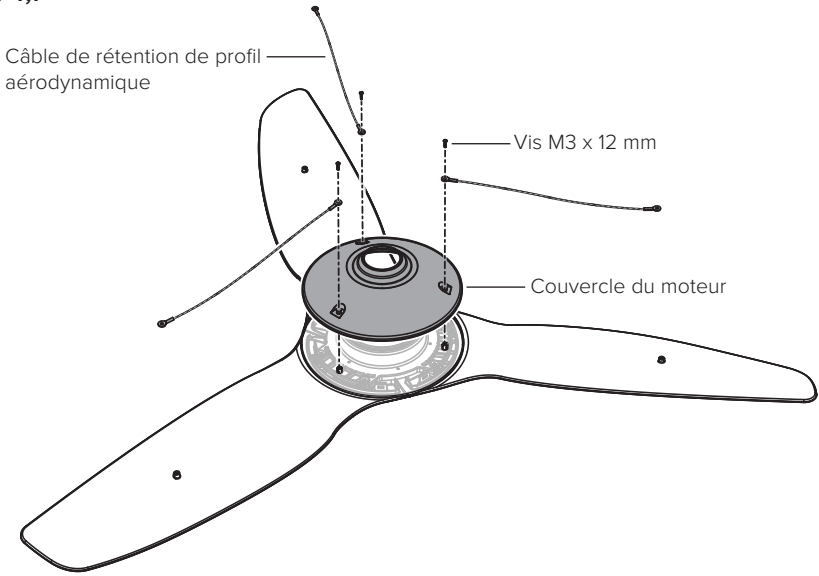
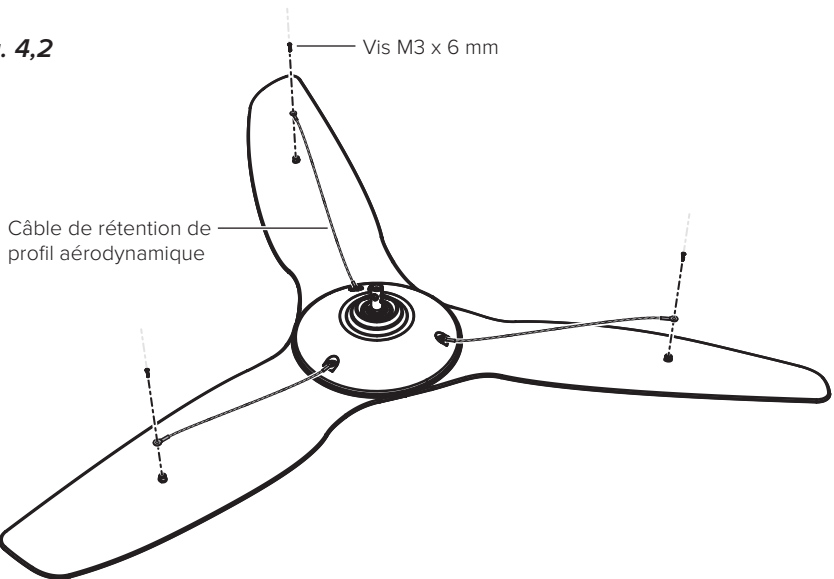


Fig. 4,2



5. Installer la tige descendante

Retirez la vis de mise à la terre et l'étiquette de l'arbre du moteur (Fig. 5,1). Alignez la flèche sur la tige descendante avec la flèche sur l'arbre et connectez le fil de terre de la tige descendante et le câble de sécurité à l'arbre (Fig. 5,2) Assurez-vous que les cosse de câble soient orientées vers le haut et ne soient pas tournées en biais (Fig. 5,3).

Acheminez chaque faisceau de câbles hors de la tige descendante du même côté que le faisceau correspondant sur l'arbre du moteur (Fig. 5,4). Fixez la tige descendante à l'arbre à l'aide d'une vis M8 x 35 mm, d'une rondelle M8 et d'un écrou M8 (Fig. 5,4).

Fig. 5,1

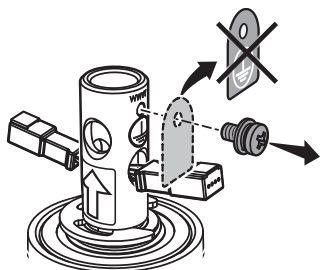


Fig. 5,2

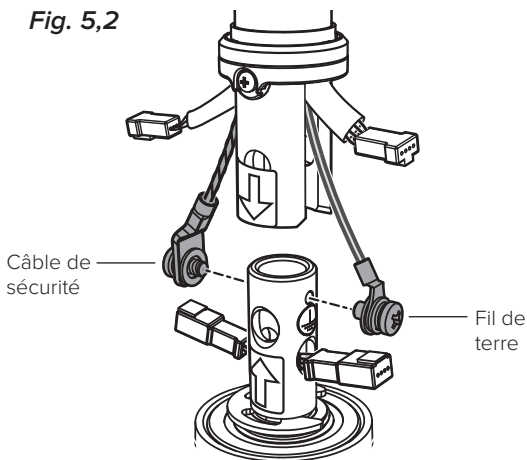


Fig. 5,3

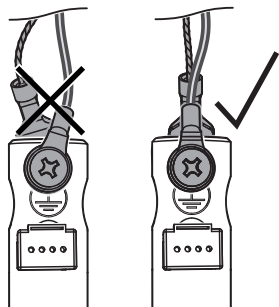
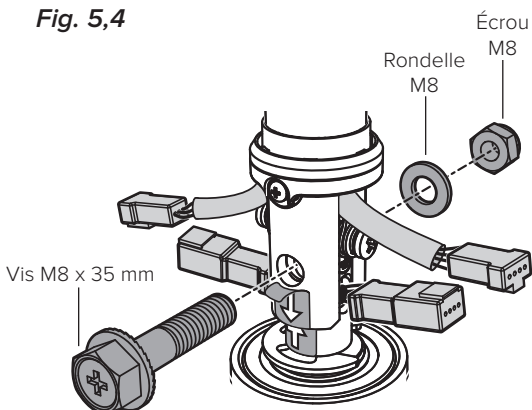


Fig. 5,4



Tirez doucement sur les faisceaux de la tige descendante vers le bas pour créer suffisamment de mou pour atteindre les harnais du moteur, puis connectez les harnais (Fig. 5,5).

Assurez-vous que tout le matériel est bien fixé, puis tirez doucement les câbles sur le dessus de la tige descendante pour réduire le claquement (Fig. 5,6).

Fig. 5,5

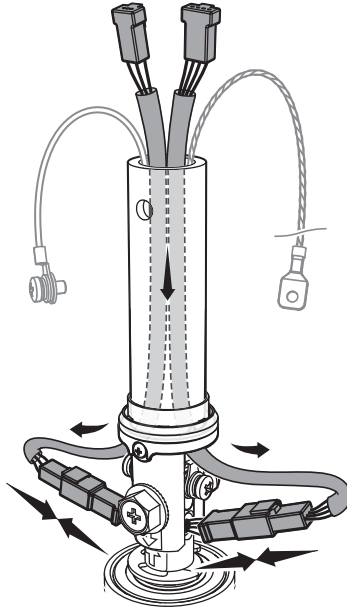
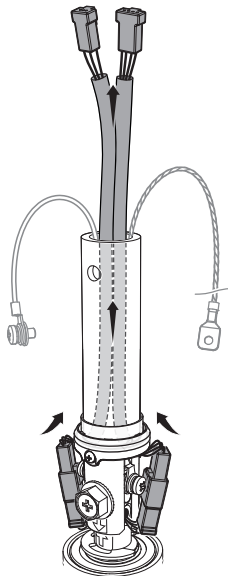


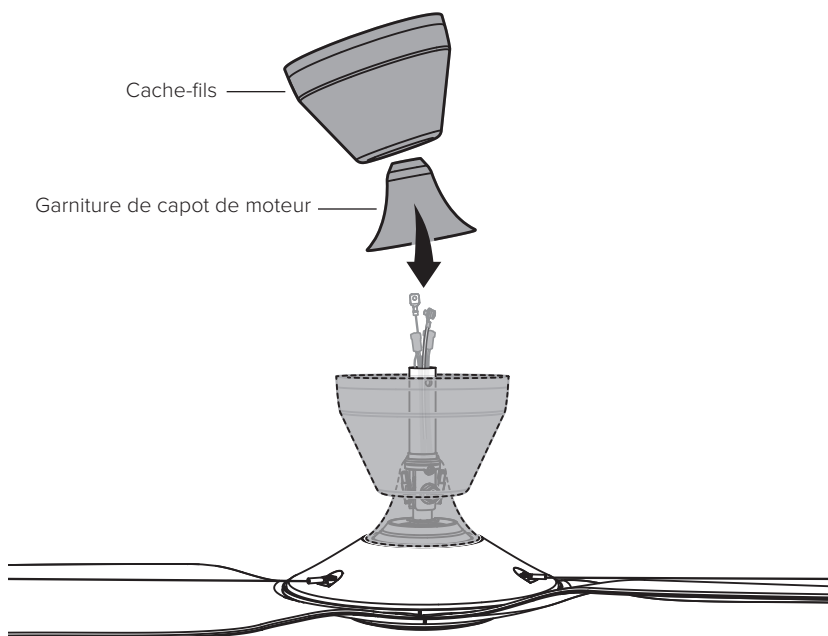
Fig. 5,6



6. Positionnez la garniture du capot du moteur et le couvercle de câblage

Faites glisser le couvercle du moteur vers le bas jusqu'à ce qu'il s'arrête. Il y aura un petit espace entre la garniture et le capot du moteur. Faites glisser le couvercle de câblage vers le bas, le reposant sur la garniture du capot moteur (Fig. 6).

Fig. 6



7. Installez la boule de montage



Ne serrez pas trop la vis du coin.

Faites glisser la boule de montage sur la tige descendante (Fig. 7,1).

Insérez la goupille en acier dans le trou en haut de la tige descendante, puis faites glisser la boule de montage vers le haut, en plaçant la goupille en acier dans les fentes intérieures (Fig. 7,2).

Insérez le biseau dans la boule de fixation et fixez-le à l'aide de la vis du secteur (Fig. 7,3). Serrez suffisamment la vis pour éviter tout mouvement entre la boule de fixation et la tige verticale, mais ne serrez pas trop.

Fig. 7,1

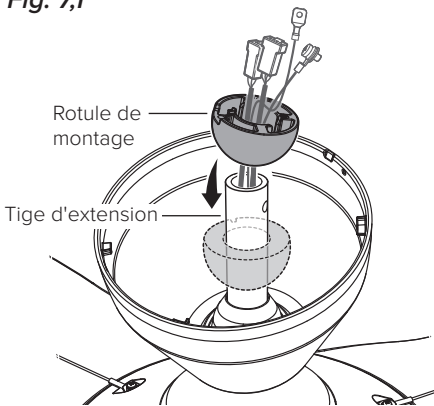


Fig. 7,2

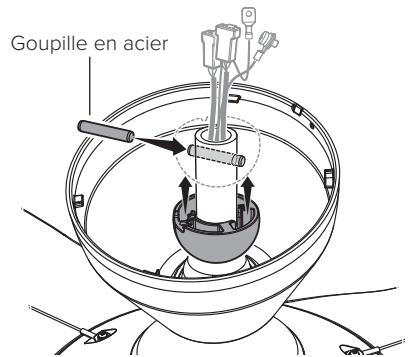
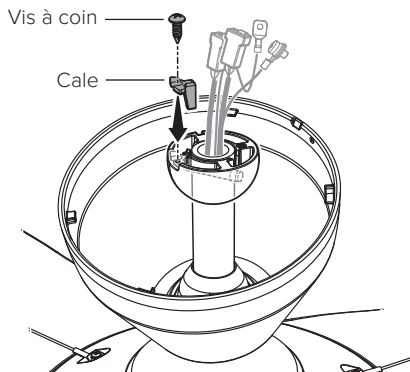


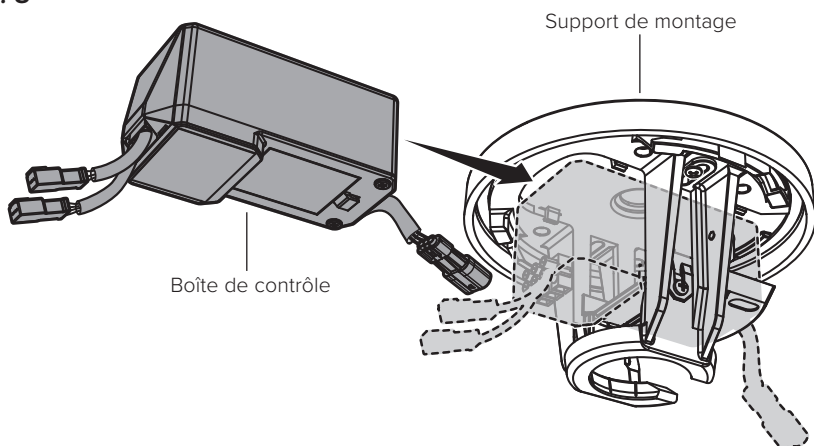
Fig. 7,3



8. Installer le boîtier de contrôle

Faites glisser le boîtier de commande dans le support de fixation (Fig. 8).

Fig. 8

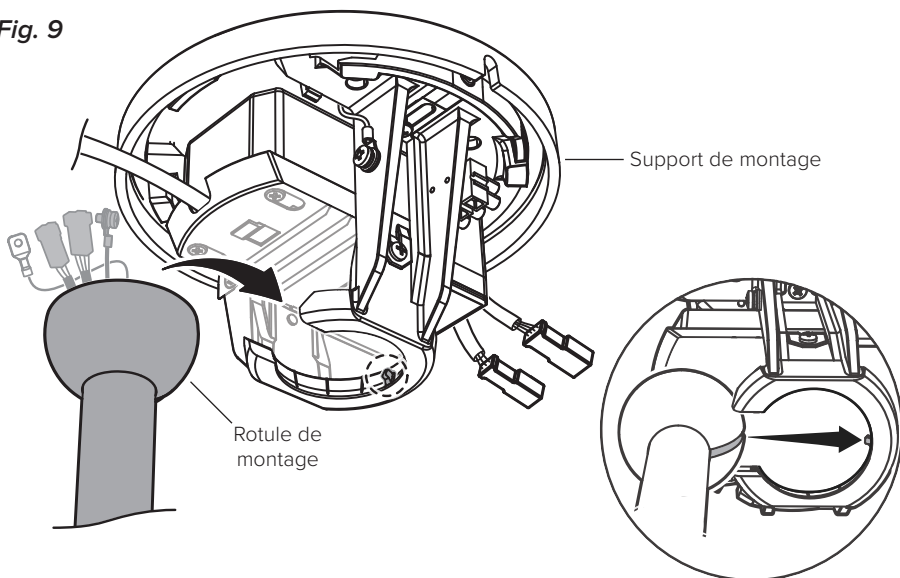


9. Suspendez le ventilateur

Levez le ventilateur sur le support de montage. Alignez la côte dans le support de montage avec la fente dans la boule de montage, positionnez la balle de montage et laissez le ventilateur pendre librement (Fig. 9).

Tentez de tourner doucement la tige d'extension pour vous assurer qu'elle est solidement en place et qu'elle ne bougera pas lors du fonctionnement du ventilateur.

Fig. 9



10. Connectez les faisceaux de câbles et le fil de terre/masse

Connectez les deux faisceaux de câbles de la tige inférieure aux faisceaux situés à l'arrière du boîtier de commande (Fig. 10,1). Retirez la vis de mise à la terre et l'étiquette du support de montage et fixez le fil de terre vert entre la tige inférieure et le support de montage (Fig. 10,1).

Raccordez le faisceau de câbles du plafond au faisceau de câbles situé à l'avant de la boîte de commande (Fig. 10,2). Retirez le ruban adhésif double face sur le support de fixation et fixez le noyau du ferrite à la bande (Fig. 10,2).

Fig. 10,1

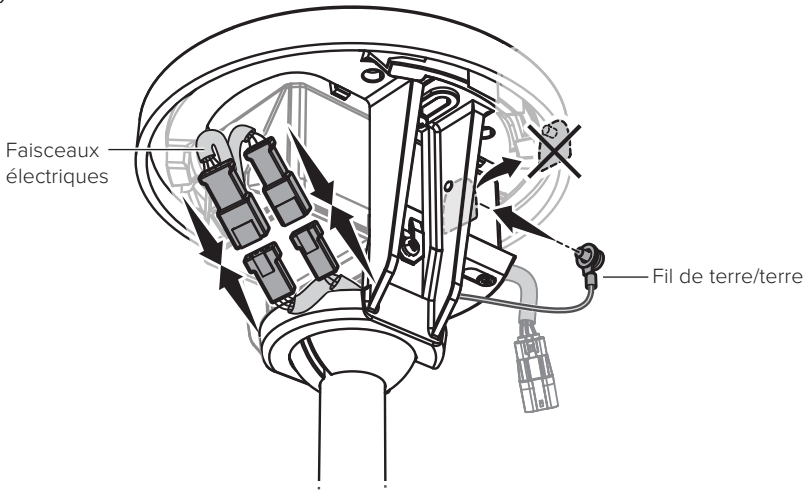
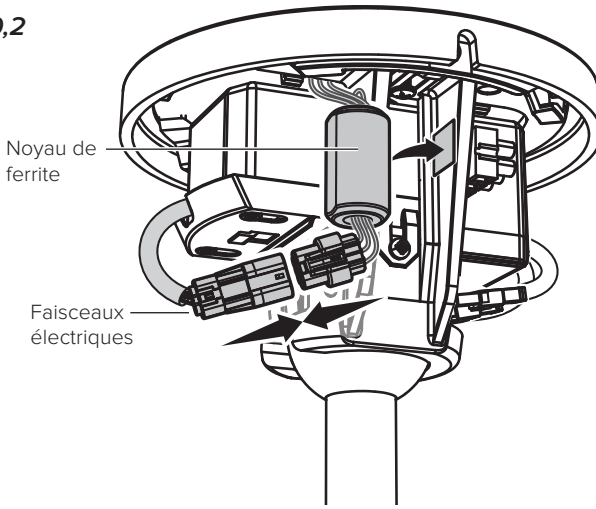


Fig. 10,2



11. Sécuriser le câble de sécurité

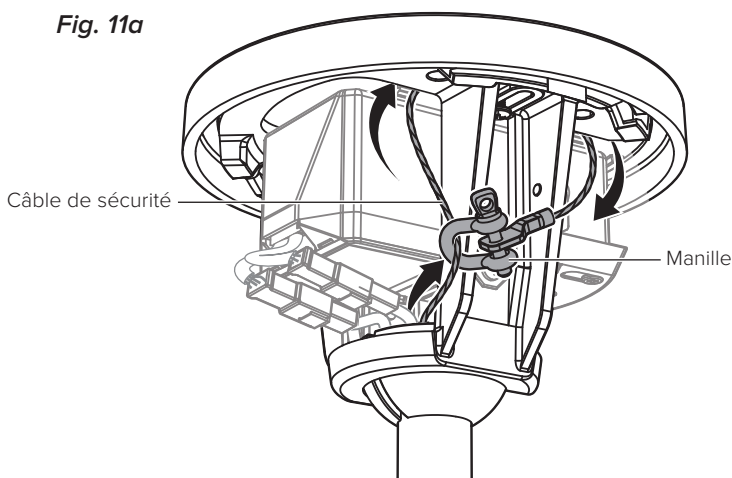


Certains codes de sécurité régionaux exigent que le câble de sécurité soit fixé directement à une pièce existante de la structure du bâtiment (Canada, Singapour). Il pourrait être nécessaire d'installer un matériau de structure supplémentaire pour disposer de points d'attache. Consultez le code de sécurité pertinent si vous êtes incertain.

Support de montage

Bouclez le câble de sécurité autour du support de fixation et fixez-le à l'aide d'une manille (Fig. 11a).

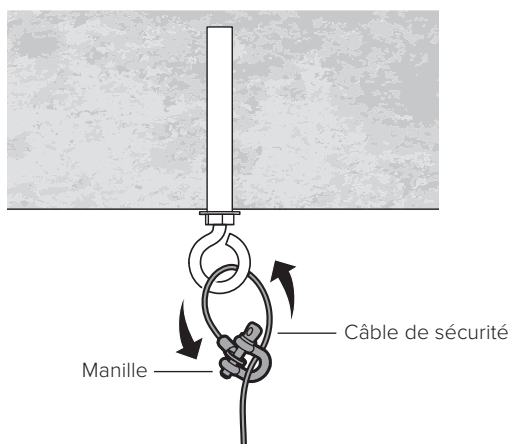
Fig. 11a



Crochet d'ancrage

Bouclez le câble de sécurité autour du crochet d'ancrage et fixez-le à l'aide d'une manille (Fig. 11b).

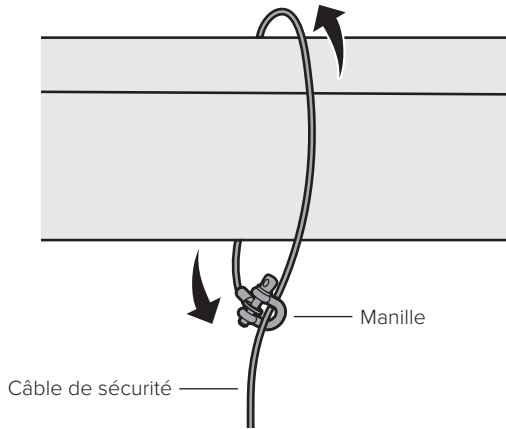
Fig. 11b



Structure de bâtiment

Bouclez le câble de sécurité autour de la structure du bâtiment et fixez-le à l'aide d'une manille (Fig. 11c). Les structures de construction acceptables comprennent une poutre en bois ou un support métallique fixé entre deux poutres. Dans certains cas, il peut être nécessaire d'installer des matériaux structurels supplémentaires pour fournir des points de fixation.

Fig. 11c



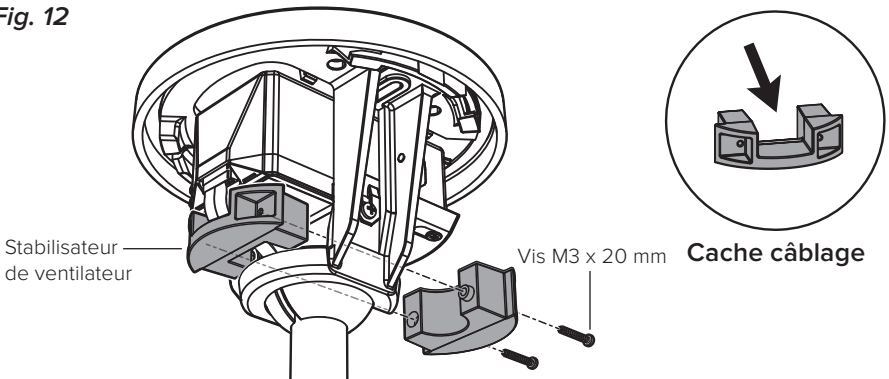
12. Installer le stabilisateur de ventilateur



Le stabilisateur de ventilateur est requis pour les installations extérieures et est utilisé uniquement sur les plafonds plats.

Insérez les deux moitiés du stabilisateur de ventilateur entre le bas du plateau du boîtier de commande et le haut de la boule de montage (Fig. 12). Assurez-vous que les fils et le câble de sécurité de la tige descendante passent par le canal de câblage du stabilisateur. Fixez le stabilisateur avec des vis M3 x 20 mm (Fig. 12). Le câble de sécurité et certains fils électriques ne sont pas représentés.

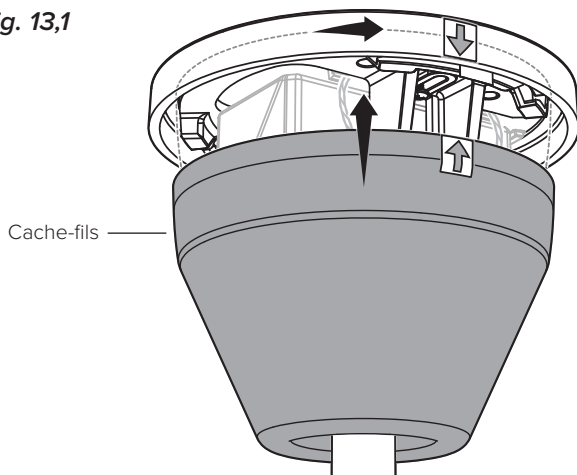
Fig. 12



13. Couvercle de câblage sécurisé

Faites glisser le capot de câblage vers le haut de la tige inférieure, en alignant les autocollants en forme de flèche jaune de telle sorte que le haut du capot soit au même niveau que le support de montage. Assurez-vous que tous les fils et le câble de sécurité soient insérés dans le couvercle, puis tournez le couvercle dans le sens des aiguilles d'une montre pour le verrouiller (Fig. 13,1).

Fig. 13,1



Retrait du couvercle de câblage

Si vous devez retirer le couvercle de câblage, utilisez un objet long et fin tel qu'une petite clé hexagonale ou une pointe de stylet pour appuyer sur la languette encastrée sur le couvercle de câblage (Fig. 13,2). En appuyant sur la languette, tournez le couvercle dans le sens inverse des aiguilles d'une montre (Fig. 13,2) et faites-le glisser vers le bas pour le retirer (Fig. 13,3).

Fig. 13,2

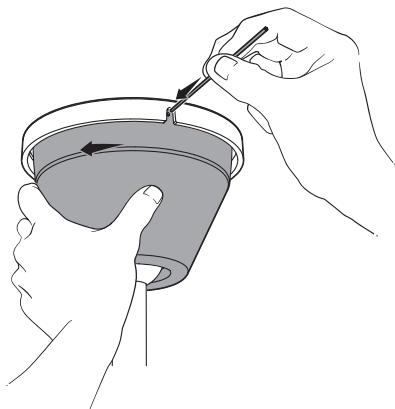
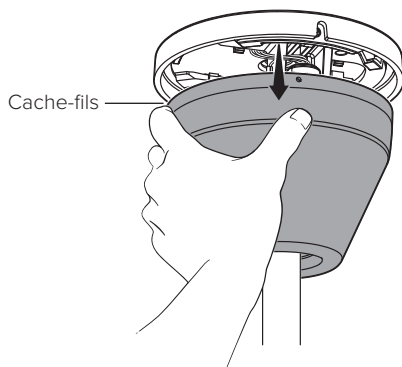


Fig. 13,3



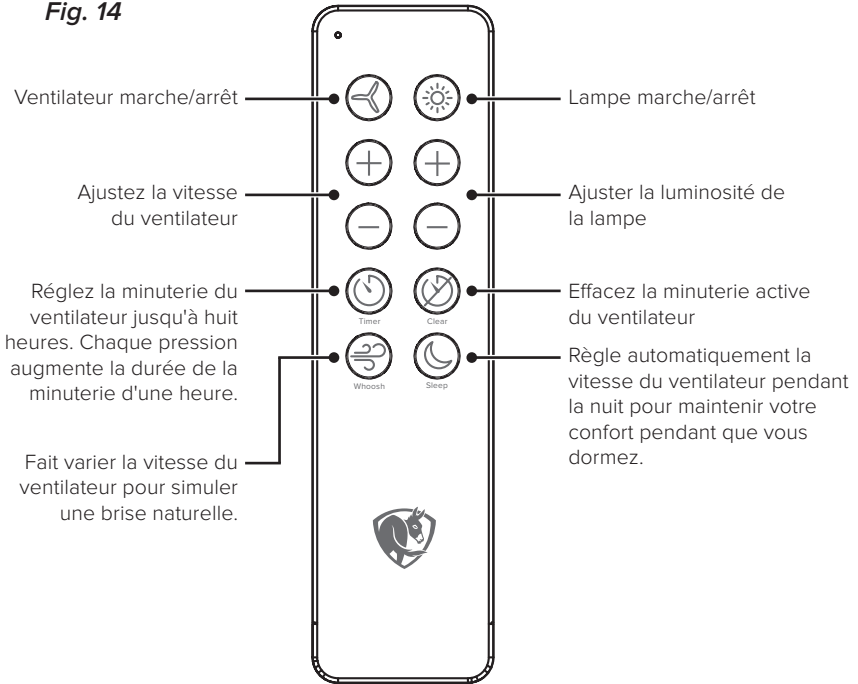
14. Testez le ventilateur

⚠ ATTENTION

N'exposez pas la télécommande à la pluie et à l'eau.

Félicitations! L'installation est maintenant terminée. Allumez l'alimentation et testez votre ventilateur à l'aide de la télécommande (Fig. 14). *Remarque : il est normal que le ventilateur se mette à osciller légèrement d'avant en arrière pendant quelques secondes lorsque vous l'allumez pour la première fois.*

Fig. 14



Application mobile Big Ass Fans



Téléchargez l'application mobile Big Ass Fans pour regrouper plusieurs fans, ajuster leurs paramètres et définir vos préférences de confort pour un contrôle mains libres.

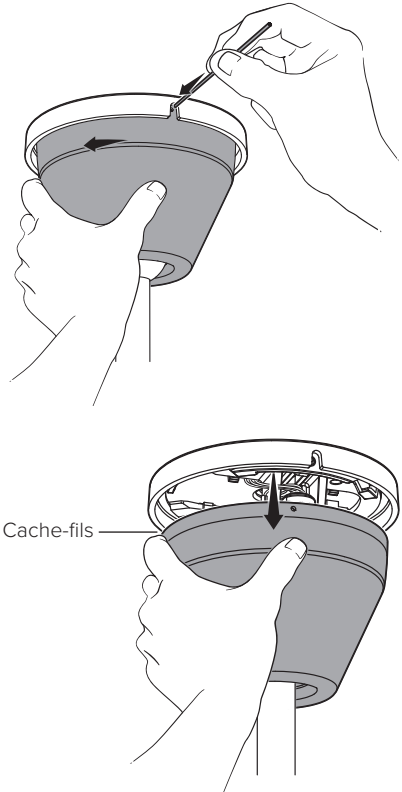
Pour obtenir des instructions sur l'intégration des appareils intelligents, rendez-vous sur www.bigassfans.com/support

Après avoir connecté votre ventilateur à l'application, utilisez l'application pour vous assurer que le micrologiciel du ventilateur soit à jour.



DÉPANNAGE

Problème	Solution
Le ventilateur fait des secousses au démarrage.	Ceci est normal et peut se produire occasionnellement au démarrage. Un léger mouvement initial vers l'avant et l'arrière n'affecte pas le fonctionnement du ventilateur.
Le ventilateur de démarre pas.	<ul style="list-style-type: none">• Assurez-vous que l'alimentation parvient au ventilateur. Vérifiez le bon fonctionnement de votre disjoncteur ou panneau de fusible ainsi que l'interrupteur mural.• Assurez-vous que l'alimentation est adéquate.• Assurez-vous que tous les fils sont bien branchés et que le ventilateur est correctement câblé et mis à la terre.• Assurez-vous que les piles sont correctement installées dans la télécommande.
Le ventilateur oscille.	<ul style="list-style-type: none">• Assurez-vous que tout le matériel de montage est bien fixé et serré.• Retirez les pales et assurez-vous que l'autocollant sur chaque pale correspond à celui sur le moyeu de moteur. Si les autocollants ne correspondent pas, déplacez les pales vers les points de fixation correspondants.• Assurez-vous que toutes les pales sont correctement alignés et solidement fixées au bloc moteur.• Si une pale est endommagée, contactez le Service à la clientèle. Les profils aérodynamiques doivent être remplacés en tant qu'ensemble. Ne remplacez pas les profils aérodynamiques individuels.
Le ventilateur est bruyant lorsqu'il fonctionne.	<p>Arrêtez le ventilateur complètement.</p> <ul style="list-style-type: none">• Faites doucement tourner les pales manuellement en vous assurant qu'il n'y a aucune pièce qui frotte sur le moyeu de moteur lorsque le ventilateur tourne.• Vérifiez toutes les fixations et la visserie de ventilateur. Si des éléments sont desserrés, serrez-les.
Je dois réinitialiser le ventilateur.	Maintenez enfoncé le bouton Marche/Arrêt du ventilateur de la télécommande jusqu'à ce que les voyants LED du ventilateur commencent à clignoter. Une fois que les DEL ont clignoté pendant 30 secondes, appuyez sur le bouton de marche/arrêt de nouveau. Lorsque les DEL cessent de clignoter, la réinitialisation est terminée.

Problème	Solution
<p>La télécommande ne contrôle pas le ventilateur/ la lumière.</p>	<p>Coupez l'alimentation du ventilateur au niveau de l'interrupteur mural ou du disjoncteur. Attendez 30 secondes, puis rallumez l'appareil. Testez le fonctionnement du ventilateur/de la lumière à l'aide de la télécommande. Si la télécommande ne contrôle toujours pas le ventilateur ou la lumière, contactez le service à la clientèle.</p>
<p>Je dois retirer le capot de câblage du ventilateur.</p>	<p>Utilisez un objet long et mince comme une petite clé hexagonale ou une pointe de stylo pour appuyer sur la languette encastrée sur le capot de câblage. Tout en appuyant sur la languette, tournez le couvercle dans le sens anti-horaire et faites glisser vers le bas pour le retirer.</p> 

ENTRETIEN



AVERTISSEMENT

Risque d'incendie, de décharge électrique ou de blessures aux personnes pendant le nettoyage et l'entretien. Débranchez l'appareil de l'alimentation avant de procéder à un entretien.

Veillez prendre quelques instants chaque année pour effectuer les procédures d'entretien préventif suivantes sur votre ventilateur afin de vous assurer qu'il fonctionne de façon sûre et efficace.

Vérifiez le câble de sécurité, le matériel et le câblage

- ✓ Vérifier que le câble de sécurité soit correctement installé en faisant glisser le capot de câblage vers le bas de la tige descendante et en examinant le câble de sécurité et le matériel.
- ✓ Assurez-vous que la visserie de montage et les fixations fixant les pales au moyeu de ventilateur sont solidement en place.
- ✓ Assurez-vous que les connecteurs de fil sont solidement fixés et que le fil de mise à la terre est bien connecté.

Nettoyer les pales

Époussetez régulièrement les pales. Si le ventilateur se salit, nettoyez-le avec un chiffon doux. N'utilisez pas de solvant, d'essence ou de nettoyant chimique. La surface pourrait être déformée et le ventilateur pourrait être endommagé.

Nettoyer la l'éclairage

Nettoyez régulièrement le verre de la lampe pour assurer une performance optimale. Essuyez la lentille avec un chiffon doux. Au besoin, utilisez l'eau et un savon doux ou un nettoyant liquide doux. Ne nettoyez pas la lampe ou le verre avec des tampons à récuser, des substances de nettoyage alcalines, de l'essence, un diluant, du benzène, de l'huile de chauffage ou de la poudre abrasive.

Fonctionnement de votre ventilateur

Le ventilateur doit fonctionner dans la plage de température ambiante nominale de fonctionnement : de 32° à 104° F (de 0° à 40° C).



Pour plus d'informations sur le fonctionnement, la maintenance et le dépannage, visitez www.bigassfans.com/support

NOUS JOINDRE

États-Unis

2348 Innovation Drive
Lexington, KY 40511
États-Unis
1 877-244-3267
En dehors des États-Unis (+1 859-233-1271)
bigassfans.com

Australie

35 French Street
Eagle Farm, Brisbane
QLD 4009
Australie
+61 1300 244 277
bigassfans.com/au

Singapour

50 Ubi Crescent
#01-01 Ubi TechPark
Singapour 408568
+65 6709 8500
bigassfans.com/sg

Toutes les autres zones géographiques

+1 859-410-6286
bigassfans.com

Canada

2180 Winston Park Drive
Oakville, Ontario L6H 5W1
Canada
1 844-924-4277
bigassfans.com/ca

Mexique

CEBSA (Corporación Electrica del
Bravo SA de CV)
Avenida Ind. Rio San Juan
Lote 3-A Parque Industrial del Norte
Reynosa, Tamps C.P. 88736
+52 1 899 925 6398
<http://cebsainc.com/>

Gomez & Hilman Home Appliances
SA de CV
Calle Valerio González, No. 714,
Col. Primero de Mayo, Los Cabos,
Baja California, C.P. 23406, Mexique
Bureau : 624-688-3889

Les informations contenues dans ce document peuvent être modifiées sans préavis. Pour obtenir les informations les plus récentes, consultez le guide d'installation imprimable en ligne à l'adresse www.bigassfans.com/support

Haiku® est une marque commerciale de Delta T LLC, déposée aux États-Unis et/ou dans d'autres pays.

Google Play est une marque déposée de Google LLC.

www.bigassfans.com/patents · www.bigassfans.com/product-warranties

© DELTA T LLC. 2023 TOUS DROITS RÉSERVÉS.

ESPAÑOL

CONTENIDO

Especificaciones.....	1
Antes de comenzar.....	2
Instalación del ventilador.....	5
Resolución de problemas.....	22
Mantenimiento.....	24
Contáctenos.....	25



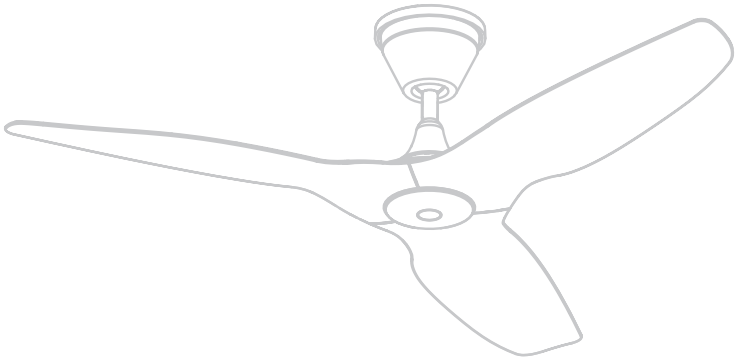
Rev. C
12/05/2023

LEA Y GUARDE ESTAS INSTRUCCIONES



ESPECIFICACIONES

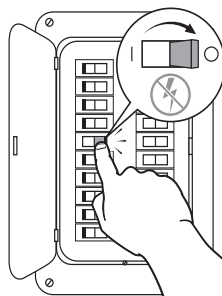
Modelo	Montaje	Voltaje de entrada	Peso máximo	Vatios máximos
MK-HKC1-042506	Techos planos de 8 ft (2.4 m) o más	100–240 VCA, 1 Φ , 50/60 Hz	14.2 lb (6.4 kg)	42 W



ANTES DE COMENZAR

☑ Desconecte el suministro eléctrico desde el disyuntor

Si no se siente seguro realizando trabajos eléctricos, recurra a un electricista. Si el código local lo exige, el ventilador debe ser instalado por un electricista certificado.



☑ Reúna las herramientas



☑ Prepare el lugar de instalación del ventilador y reúna los accesorios

PRECAUCIÓN

No utilice el ventilador con un interruptor de atenuación o un interruptor de terceros.

Caja de distribución: verifique que su caja de distribución sea apta para soportar el ventilador. Si en el lugar donde se va a instalar el ventilador no hay una caja de distribución, instale una en una viga o vigueta de techo. Deberá proporcionar dos tornillos 10-32 para fijar el soporte de montaje del ventilador a la caja de distribución.

Techo de concreto: deberá proporcionar cuatro pernos de anclaje M6* para fijar el soporte de montaje del ventilador al techo. Si los códigos de construcción y seguridad locales lo exigen, también deberá proporcionar un gancho de anclaje M6* para el cable de seguridad. Consulte la página 4 para ver las especificaciones de los accesorios y los detalles de instalación.

Viga de techo de madera: deberá proporcionar dos tornillos para madera de cabeza hexagonal resistentes a la corrosión de 12-11 x 45 mm con sello para fijar el soporte de montaje del ventilador directamente a la viga. Si lo requiere el código local, monte o empotre una caja de distribución en la viga. Dicha caja debe ser adecuada para el soporte del ventilador.

Lugares exteriores expuestos:** los ventiladores con clasificación para lugares húmedos instalados en lugares exteriores expuestos deben tener una cobertura fija/permanente sobre la cubierta del cableado del ventilador, deben instalarse en un circuito protegido contra GFCI y solo se pueden montar en techos planos.

*Si se incluyen los pernos de anclaje y el gancho de anclaje en su ventilador, úselos para el montaje en concreto.

**Cuando instale el ventilador en un lugar exterior expuesto, use solo los kits de luz marcados como "Apto para usarse en lugares húmedos".

☑ Compruebe la altura del techo

Consulte la tabla a continuación para asegurarse de que cuenta con una varilla que tiene la longitud adecuada para la altura del techo. Para obtener información sobre los lineamientos con respecto al espacio libre mínimo, consulte el folleto de Instrucciones de seguridad importantes que se incluye con esta guía de instalación.

Altura del techo	Diámetro del ventilador	Longitud de la varilla
≥ 8 ft (≥ 2.4 m)	52 in. (132 cm)	5 in. (128.5 mm)
≥ 9 ft (≥ 2.7 m)	52 in. (132 cm)	10 in. (256 mm)
≥ 10 ft (≥ 3 m)	52 in. (132 cm)	22 in. (561 mm)
≥ 11 ft (≥ 3.4 m)	52 in. (132 cm)	34.8 in. (884 mm)
≥ 12 ft (≥ 3.7 m)	52 in. (132 cm)	50.8 in. (1291 mm)
≥ 13 ft (≥ 4 m)	52 in. (132 cm)	62.8 in. (1595 mm)

☑ Preparación del techo de concreto (si corresponde)

Perfore cuatro orificios de $\varnothing 8$ mm en la parte superior de la cubierta del soporte de montaje en las ubicaciones marcadas (Fig. 1). Use la cubierta del soporte de montaje como plantilla de perforación y perfore cuatro orificios de $\varnothing 8$ mm en el techo de concreto. La profundidad del orificio no debe superar los 40 mm (Fig. 2).

Elimine el polvo de los orificios. Inserte cuatro pernos de anclaje M6* en los orificios. Golpee las cabezas de los pernos de anclaje con un martillo, asegurándose de que las camisas de estos queden al ras de la superficie del techo. Fije la cubierta del soporte de montaje al soporte de montaje. Asegúrese de que el corte redondo en el costado de la cubierta esté alineado con la lengüeta del soporte (consulte la página 7). Coloque el soporte de montaje en los pernos de anclaje (Fig. 3). Verifique que los pernos de anclaje estén bien apretados para poder expandir y asegurar los anclajes.

Si los códigos de construcción y seguridad locales lo exigen, instale un gancho de anclaje M6* para el cable de seguridad. Perfore un orificio de $\varnothing 8$ mm para el gancho de anclaje. La profundidad del orificio no debe exceder los 50 mm (Fig. 2). Elimine el polvo del orificio, inserte el gancho de anclaje y, luego, ajuste completamente.

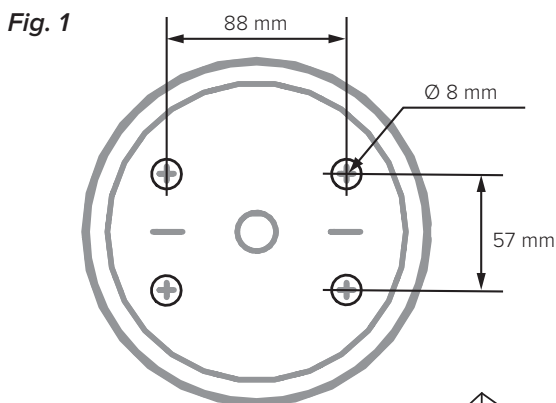


Fig. 2

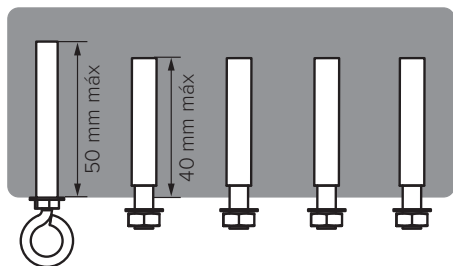
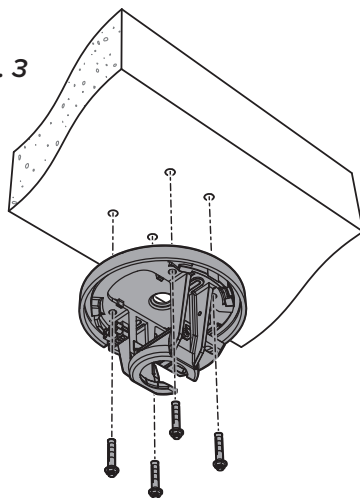


Fig. 3



*Si se incluyen los pernos de anclaje y el gancho de anclaje en su ventilador, úselos para el montaje en concreto.

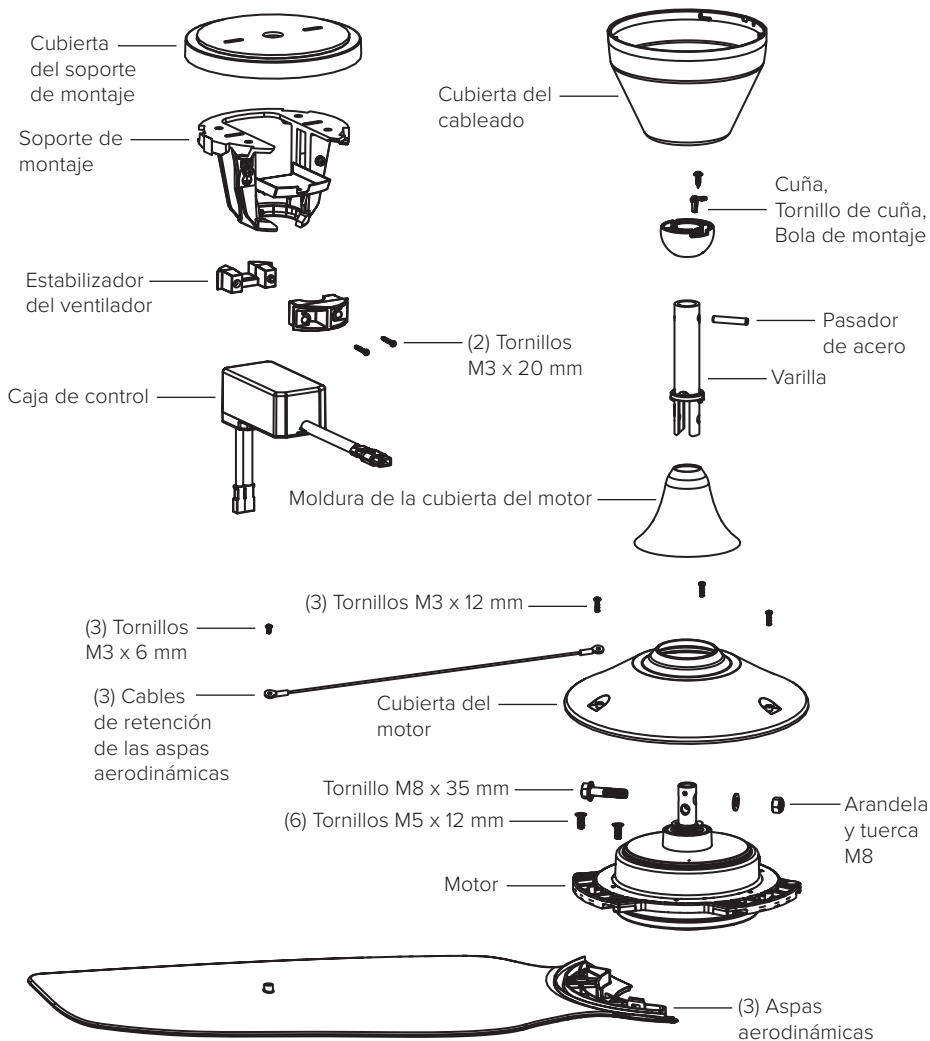
INSTALACIÓN DEL VENTILADOR



El estabilizador del ventilador es necesario para instalaciones al aire libre y se utiliza solo en techos planos.



No se muestran los cables eléctricos ni los cables de seguridad.



INSTALACIÓN DEL VENTILADOR

Accesorios incluidos

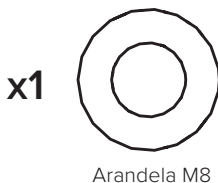
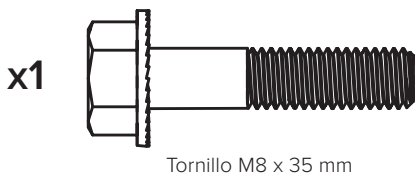
Accesorios para las aspas aerodinámicas: paso 3



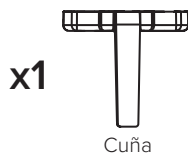
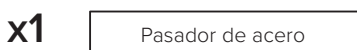
Cubierta del motor y accesorios del cable de retención de las aspas aerodinámicas: paso 4



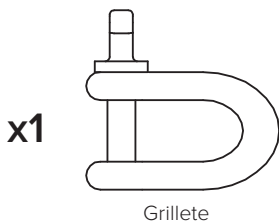
Accesorios para el montaje inferior: paso 5



Accesorios para el montaje superior: paso 7



Grillete del cable de seguridad: paso 11



Accesorios para el estabilizador del ventilador: paso 12



1. Instale el soporte de montaje

ADVERTENCIA

Antes de instalar el soporte de montaje, desconecte la corriente del lugar donde se colocará el ventilador.

Monte solo en una caja de distribución marcada como aceptable para soportar el ventilador.

Fije la cubierta del soporte de montaje al soporte de montaje. Asegúrese de que el corte redondo en el costado de la cubierta esté alineado con la lengüeta del soporte (Fig. 1.1). Fije el soporte de montaje a la estructura de montaje con accesorios adecuados (no proporcionados) (Fig. 1.2). Se muestra la caja de distribución. La estructura de montaje puede variar. No se muestran los cables eléctricos del soporte de montaje.

Fig. 1.1

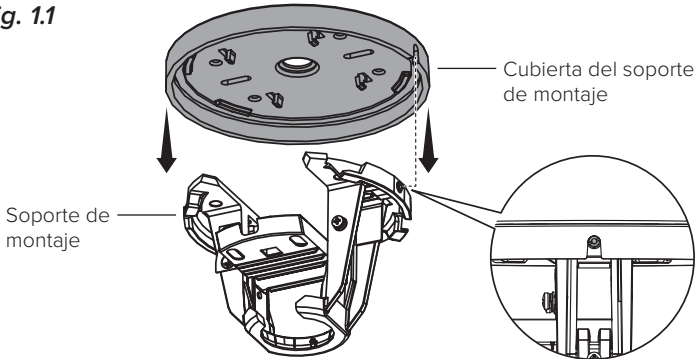
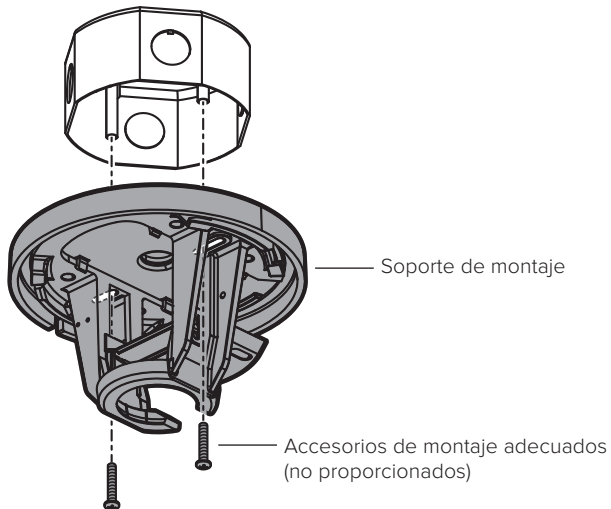


Fig. 1.2



2. Conecte el ventilador

ADVERTENCIA

Antes de cablear el ventilador, desconecte la corriente del lugar donde se hará la instalación.

No conecte el ventilador a una fuente de alimentación dañada. No intente reparar fallas eléctricas por su cuenta. Si tiene alguna duda sobre la instalación eléctrica de este ventilador, consulte a un electricista calificado.

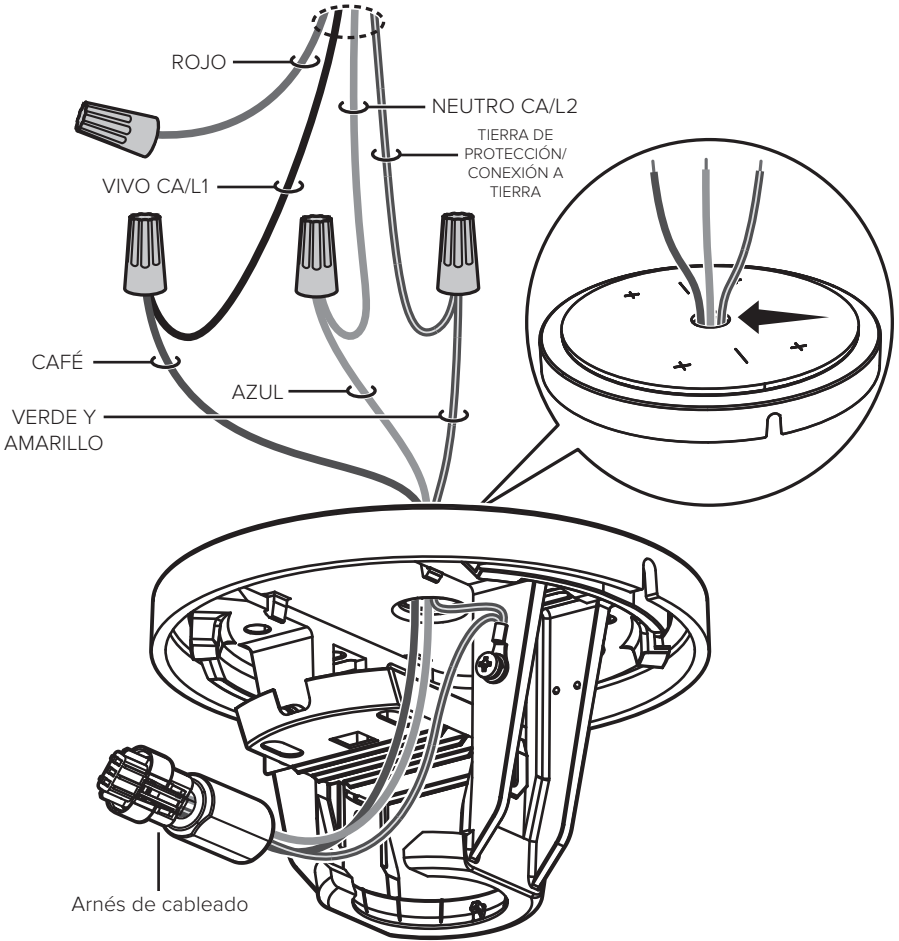
No utilice el ventilador con un interruptor de atenuación o un interruptor de terceros.

Conecte los cables del soporte de montaje a los cables de alimentación (Fig. 2). Introduzca cuidadosamente los cables en la caja de distribución o estructura del edificio para que solo quede colgado el arnés de cableado. Asegúrese de que los conectores miren hacia arriba y que los cables estén distribuidos por separado con conductores conectados a tierra en un costado de la caja de distribución o estructura de montaje y los conductores sin conexión a tierra en el otro costado.

Colores de los cables de la fuente alimentación

	Norteamérica 100–120 V	Australia	Todas las demás regiones
Vivo CA/L1 Café	Negro	Café o rojo	Café
Neutro CA/L2 Azul	Blanco	Negro o azul claro	Azul
Tierra de protección/ conexión a tierra Verde con amarillo	Verde o cobre desnudo	Verde con amarillo	Verde con amarillo

Fig. 2



3. Instale las aspas aerodinámicas



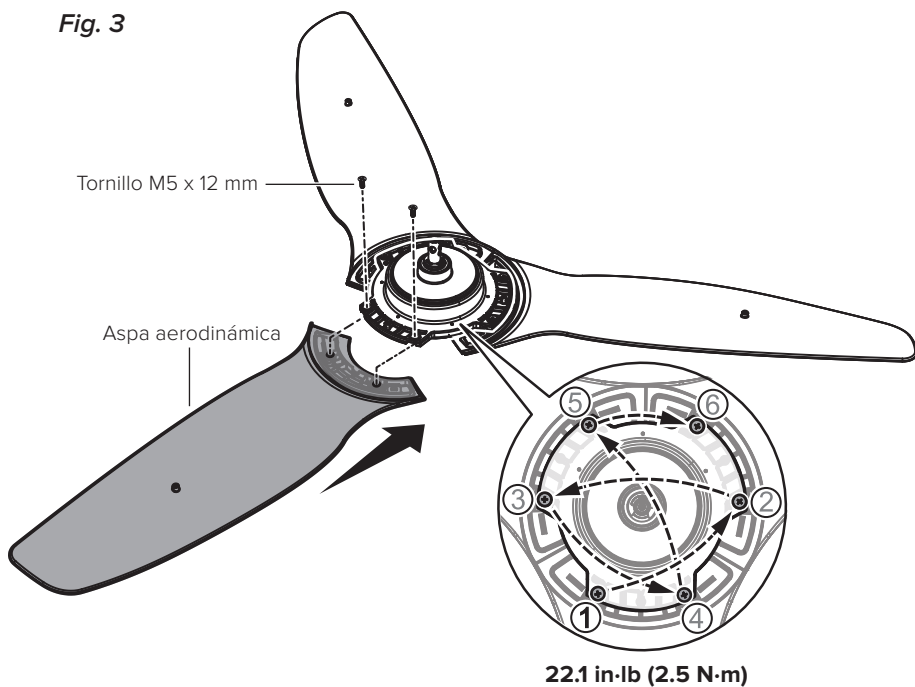
Asegúrese de que el color de la etiqueta en cada aspa aerodinámica coincida con el color de la etiqueta correspondiente en el centro del ventilador.



Ajuste los tornillos de las aspas aerodinámicas a 22.1 in·lb (2.5 N·m). No utilice herramientas eléctricas. Si ajusta demasiado los tornillos puede deformar las aspas aerodinámicas y anular la garantía.

Alinee cada aspa aerodinámica en el centro del ventilador, asegurándose de que el color de la etiqueta del aspa aerodinámica coincida con el color correspondiente de la etiqueta del centro del ventilador. Fije las aspas aerodinámicas al ventilador con tornillos M5 x 12 mm y ajústelos a **22.1 in·lb (2.5 N·m)** en la secuencia indicada (Fig. 3).

Fig. 3



No utilice herramientas eléctricas.

4. Instale la cubierta del motor y los cables de retención de las aspas aerodinámicas

Fije la cubierta del motor y los cables de retención de las aspas aerodinámicas a la unidad de motor con tornillos M3 x 12 mm (Fig. 4.1). Fije el otro extremo de los cables de retención a las aspas aerodinámicas con tornillos M3 x 6 mm (Fig. 4.2).

Fig. 4.1

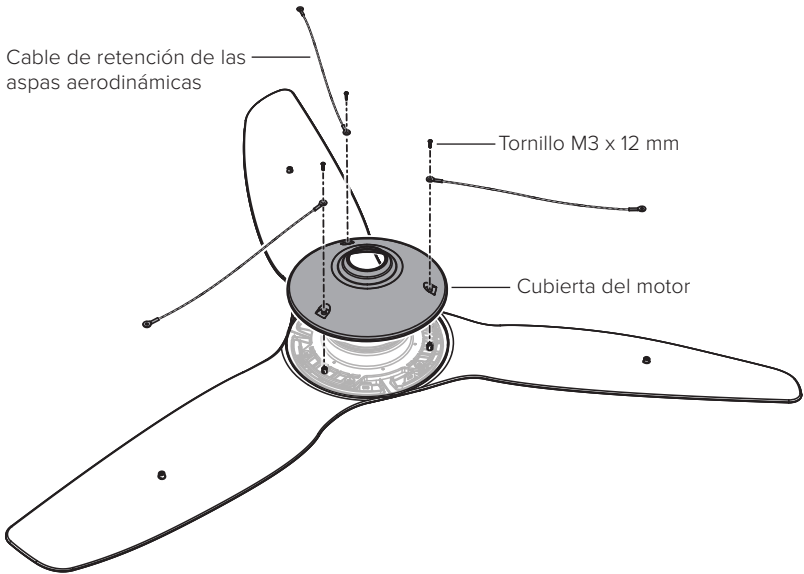
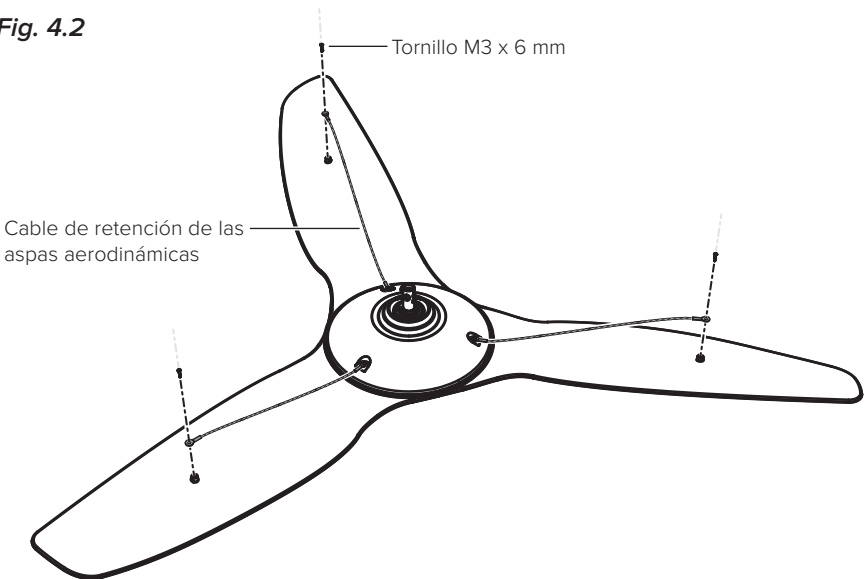


Fig. 4.2



5. Instale la varilla

Quite el tornillo de puesta a tierra y la etiqueta del eje del motor (Fig. 5.1). Alinee la flecha de la varilla con la flecha del eje y conecte el cable de puesta a tierra de la varilla y el cable de seguridad al eje (Fig. 5.2). Asegúrese de que las terminales de los cables apunten en línea recta hacia arriba y no estén giradas en ángulo (Fig. 5.3).

Dirija cada arnés de cableado fuera de la varilla en el mismo lado que su arnés de cableado correspondiente en el eje del motor (Fig. 5.4). Asegure la varilla al eje con un tornillo M8 x 35 mm, una arandela M8 y una tuerca M8 (Fig. 5.4).

Fig. 5.1

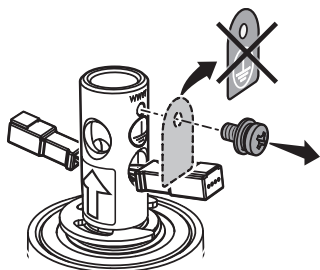


Fig. 5.2

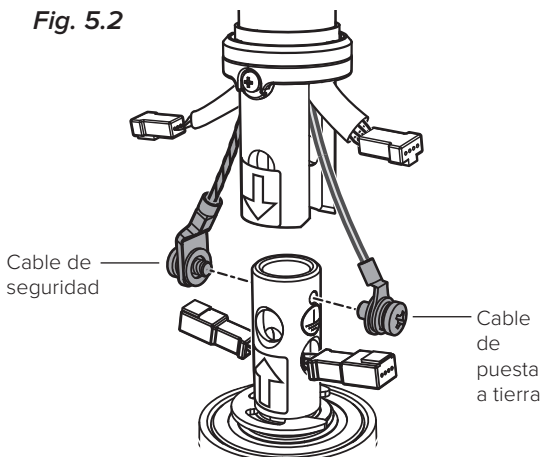


Fig. 5.3

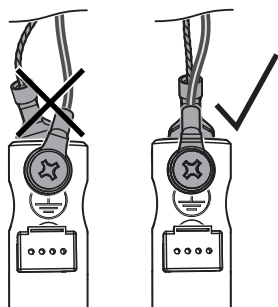
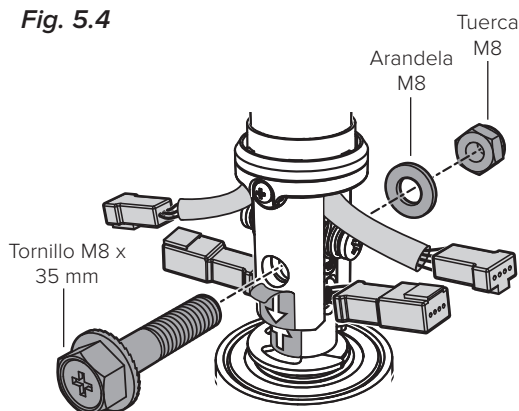


Fig. 5.4



Tire suavemente de los arneses de cableado de la varilla hacia abajo a fin de crear suficiente holgura para alcanzar los arneses del eje del motor y, a continuación, conecte los arneses (Fig. 5.5).

Cerciórese de que todos los accesorios estén asegurados y, luego, tire suavemente de los cables en la parte superior de la varilla para reducir la holgura (Fig. 5.6).

Fig. 5.5

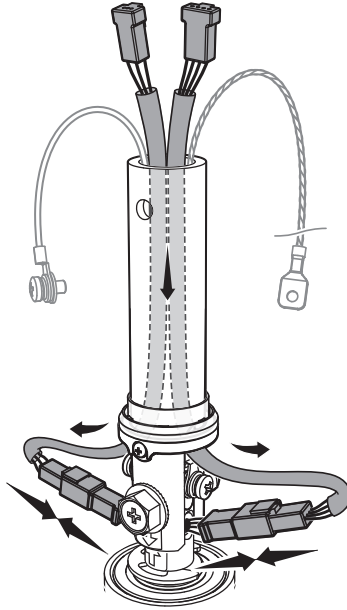
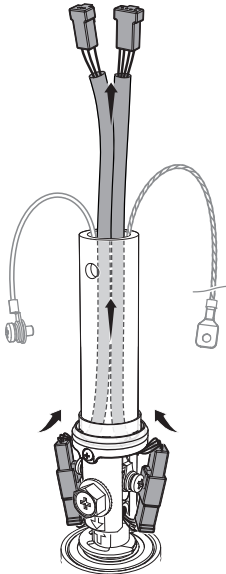


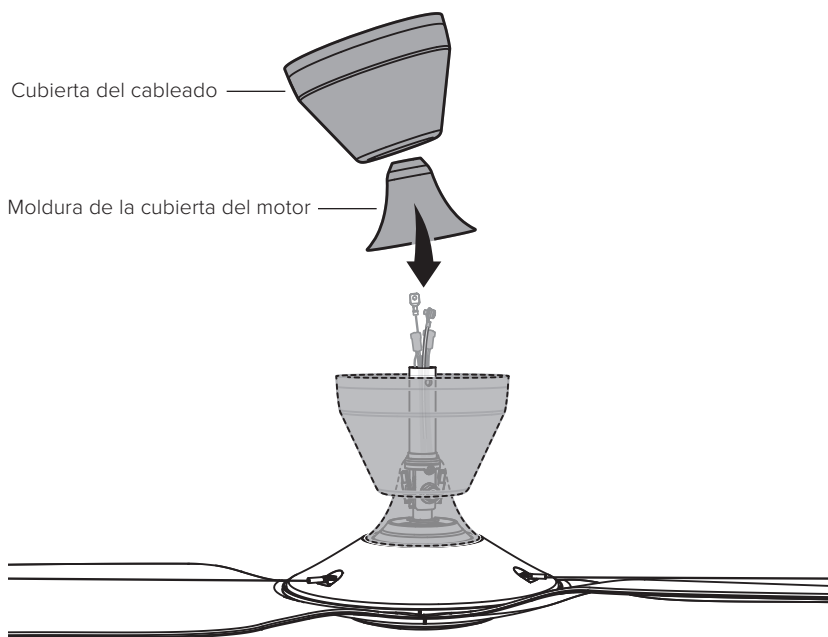
Fig. 5.6



6. Coloque la moldura de la cubierta del motor y la tapa del cableado

Deslice la moldura de la cubierta del motor hacia abajo hasta que se detenga. Habrá un pequeño espacio entre la moldura y la cubierta del motor. Deslice la cubierta del cableado hacia abajo por la varilla, y apóyela sobre la moldura de la cubierta del motor (Fig. 6).

Fig. 6



7. Instale la bola de montaje



No ajuste demasiado el tornillo de cuña.

Deslice la bola de montaje por la varilla (Fig. 7.1).

Inserte el pasador de acero en el orificio que se encuentra en la parte superior de la varilla y, luego, deslice la bola de montaje hacia arriba, fijando el pasador en las ranuras interiores (Fig. 7.2).

Inserte la cuña en la bola de montaje y asegúrela con el tornillo (Fig. 7.3). Ajuste el tornillo lo suficiente para evitar que haya movimiento entre la bola de montaje y la varilla, pero no lo ajuste demasiado.

Fig. 7.1

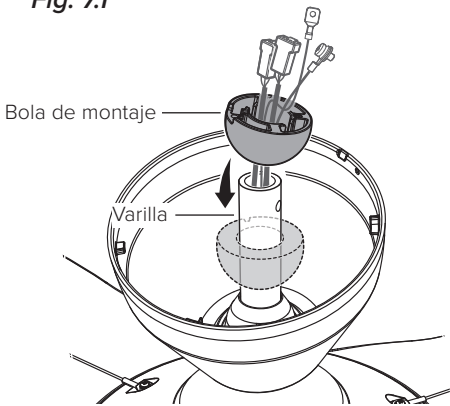


Fig. 7.2

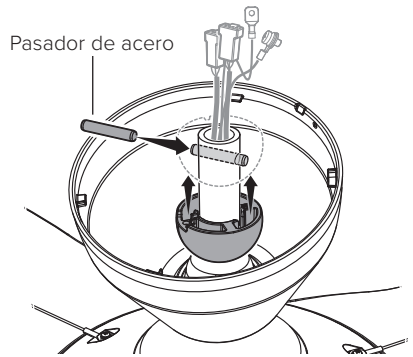
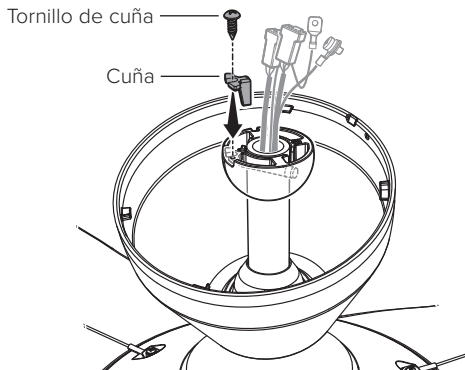


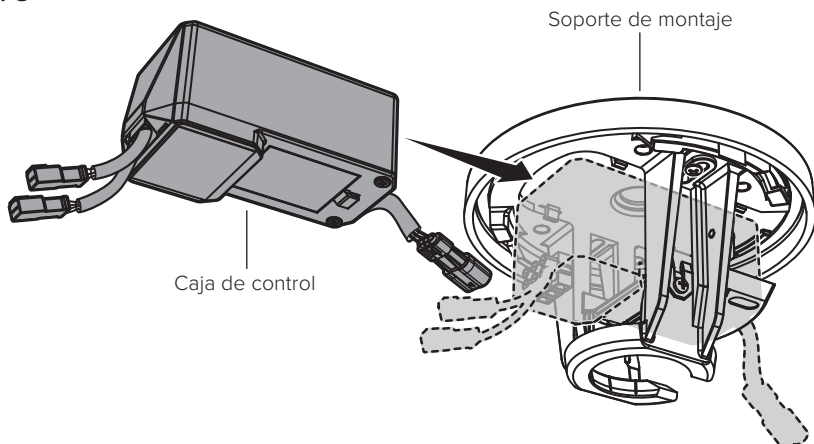
Fig. 7.3



8. Instale la caja de control

Deslice la caja de control en la bandeja del soporte de montaje (Fig. 8).

Fig. 8

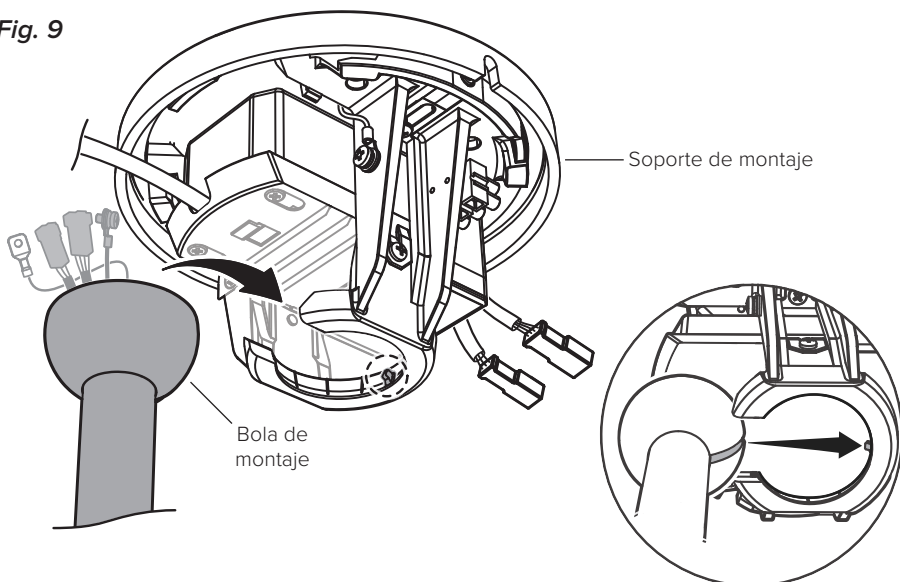


9. Cuelgue el ventilador

Eleve el ventilador hasta el soporte de montaje. Alinee la pestaña del soporte de montaje con la ranura de la bola de montaje, coloque la bola de montaje en su lugar y permita que el ventilador cuelgue libremente (Fig. 9).

Gire con cuidado la varilla para asegurarse de que esté bien colocada y evitar que se mueva mientras funciona el ventilador.

Fig. 9



10. Conecte los arneses de cableado y el cable de puesta a tierra

Conecte los dos arneses de cableado de la varilla a los arneses de cableado de la parte posterior de la caja de control (Fig. 10.1). Quite el tornillo de puesta a tierra y la etiqueta del soporte de montaje y fije el cable verde de puesta a tierra de la varilla al soporte de montaje (figura 10.1).

Conecte el arnés de cableado del techo al arnés de cableado de la parte delantera de la caja de control (Fig. 10.2). Retire el reverso de la cinta adhesiva de doble cara del soporte de montaje y asegure el núcleo de ferrita a la cinta (Fig. 10.2).

Fig. 10.1

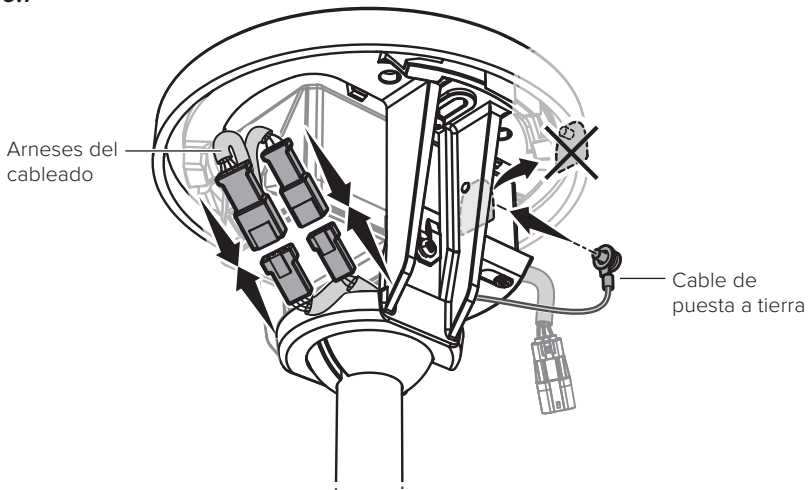
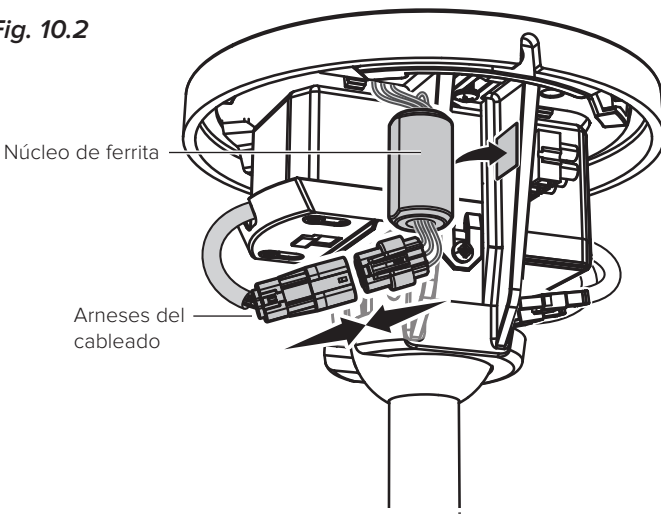


Fig. 10.2



11. Fije el cable de seguridad

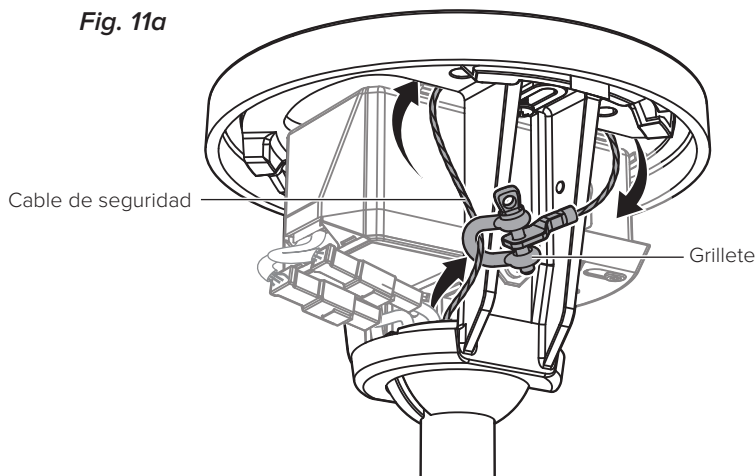


Algunos códigos de seguridad locales exigen que el cable de seguridad se fije directamente a una parte existente de la estructura del edificio (Canadá, Singapur). Es posible que sea necesario instalar materiales estructurales adicionales para proporcionar puntos de fijación. Si tiene dudas, verifique el código de seguridad local.

Soporte de montaje

Haga pasar el cable de seguridad alrededor del soporte de montaje y fíjelo con el grillete (Fig. 11a).

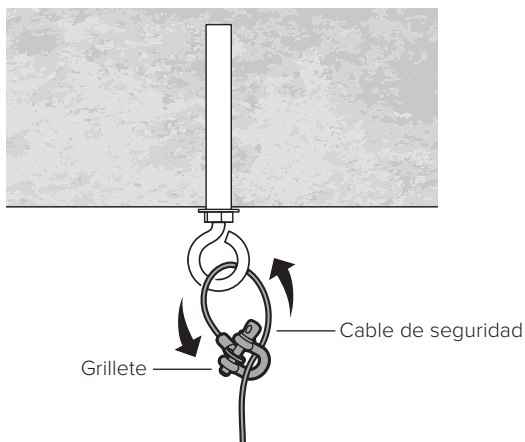
Fig. 11a



Gancho de anclaje

Haga pasar el cable de seguridad alrededor del gancho de anclaje y fíjelo con el grillete (Fig. 11b).

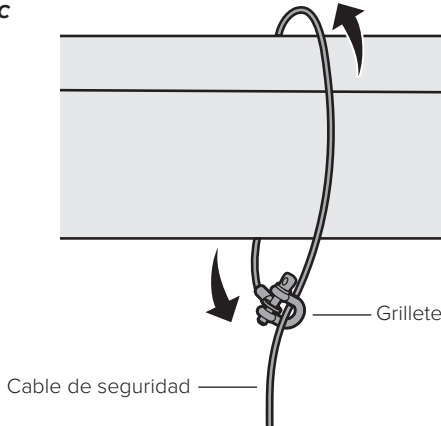
Fig. 11b



Estructura del edificio

Haga pasar el cable de seguridad alrededor de la estructura del edificio y fíjelo con el grillete (Fig. 11c). Las estructuras aceptables incluyen una viga de madera o una abrazadera de montaje de metal fijada entre las dos vigas. En algunos casos, es posible que sea necesario instalar material estructural adicional a fin de proporcionar puntos de sujeción.

Fig. 11c



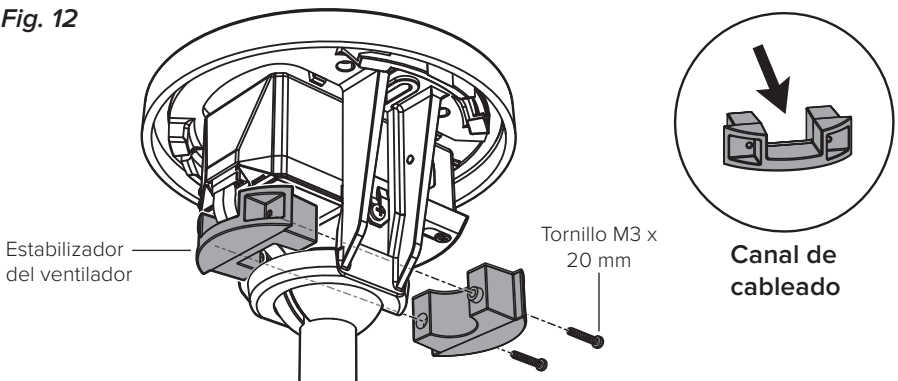
12. Instale el estabilizador del ventilador



El estabilizador del ventilador es necesario para instalaciones al aire libre y se utiliza solo en techos planos.

Inserte las dos mitades del estabilizador del ventilador entre la parte inferior de la bandeja de la caja de control y la parte superior de la bola de montaje (Fig. 12). Asegúrese de que los cables y el cable de seguridad de la varilla pasen por el canal de cableado del estabilizador. Fije el estabilizador con tornillos M3 x 20 mm (Fig. 12). El cable de seguridad y algunos cables eléctricos no se muestran.

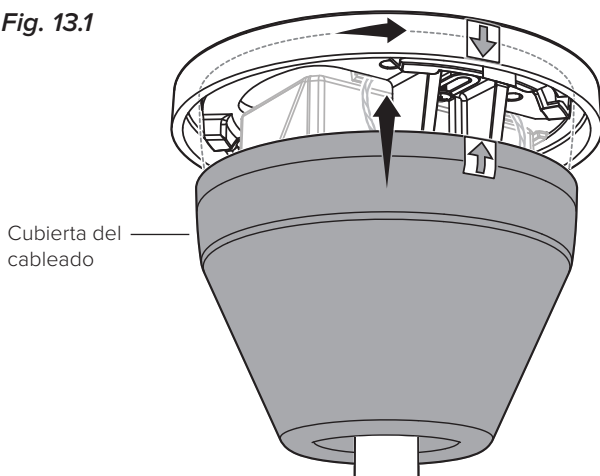
Fig. 12



13. Fije la cubierta del cableado

Deslice la tapa del cableado hacia arriba por la varilla y alinee las etiquetas con flechas amarillas de modo tal que la parte superior de la tapa del cableado quede alineada con el soporte de montaje. Asegúrese de que todos los cables y el cable de seguridad se encuentren dentro de la tapa del cableado y, a continuación, gírela en el sentido de las agujas del reloj para bloquearla (Fig. 13.1).

Fig. 13.1



Cómo retirar de la cubierta del cableado

Si necesita retirar la tapa del cableado, utilice un objeto largo y fino, como una llave Allen pequeña o la punta de un bolígrafo, para presionar la lengüeta empotrada de la tapa del cableado (Fig. 13.2). Mientras presiona la lengüeta, gire la cubierta en sentido contrario a las agujas del reloj (Fig. 13.2) y deslícela hacia abajo para retirarla (Fig. 13.3).

Fig. 13.2

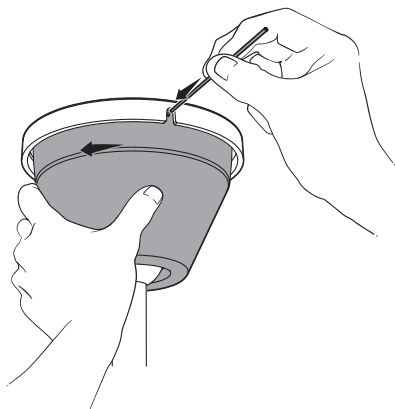


Fig. 13.3



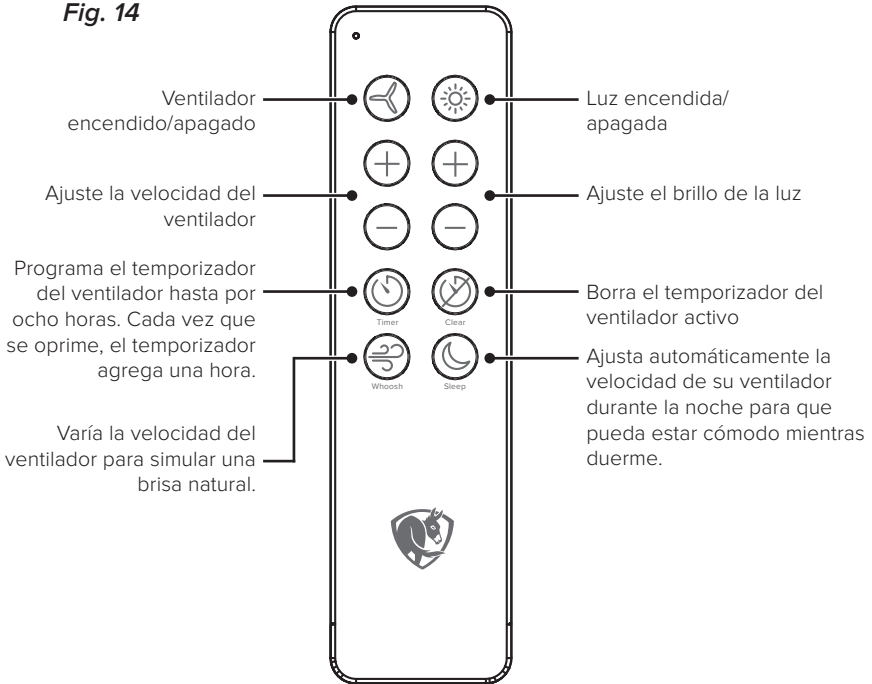
14. Pruebe el ventilador

⚠ PRECAUCIÓN

No exponga el control remoto a la lluvia ni al agua.

¡Felicidades! La instalación ya está completa. Encienda y pruebe su ventilador con el control remoto (Fig. 14). *Nota: Es normal que el ventilador se sacuda hacia adelante y hacia atrás ligeramente durante unos segundos cuando se encienda por primera vez.*

Fig. 14



Aplicación móvil de Big Ass Fans



Descargue la aplicación móvil de Big Ass Fans para agrupar varios ventiladores, regular sus ajustes y configurar sus preferencias de comodidad para controlarlos con el modo manos libres.

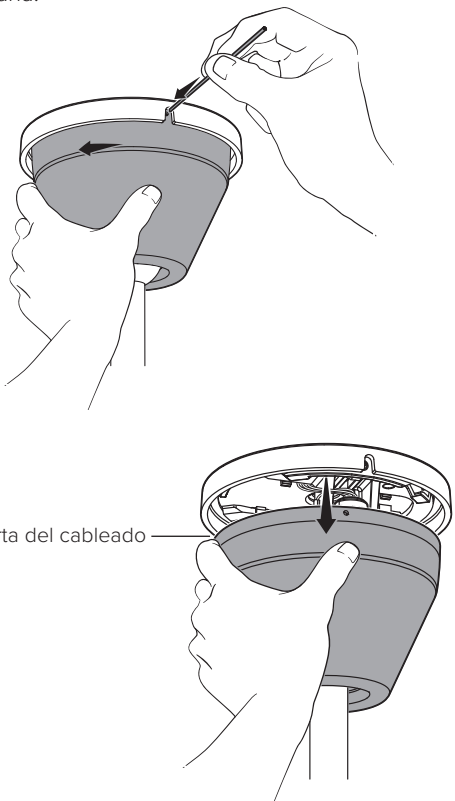
Para obtener instrucciones sobre la integración de dispositivos inteligentes, visite www.bigassfans.com/support

Después de conectar su ventilador a la aplicación, úsela para asegurarse de que el firmware del ventilador esté actualizado.



RESOLUCIÓN DE PROBLEMAS

Problema	Solución
El ventilador se sacude al arrancar.	Esto es normal y puede ocurrir de vez en cuando al ponerlo en marcha. Una ligera sacudida inicial hacia delante y hacia atrás no afecta al funcionamiento del ventilador.
El ventilador no enciende.	<ul style="list-style-type: none">• Asegúrese de que el ventilador esté recibiendo corriente del suministro eléctrico. Revise el disyuntor o panel de fusibles y el interruptor de pared para verificar que estén funcionando.• Asegúrese de que la fuente de alimentación sea adecuada.• Asegúrese de que todos los cables estén conectados de forma segura y de que el ventilador esté debidamente cableado y conectado a tierra.• Asegúrese de que las baterías estén instaladas correctamente en el control remoto.
El ventilador se tambalea.	<ul style="list-style-type: none">• Asegúrese de que todos los accesorios de montaje estén fijos y sujetos.• Retire las aspas aerodinámicas y asegúrese de que la etiqueta de cada aspa aerodinámica coincida con la etiqueta correspondiente en el motor. Si las etiquetas no coinciden, mueva las aspas aerodinámicas a los puntos de sujeción correspondientes.• Asegúrese de que todas las aspas aerodinámicas estén alineadas correctamente y bien fijadas al motor.• Si un aspa aerodinámica está dañada, comuníquese con el Servicio al cliente. Se deben reemplazar las aspas aerodinámicas como un conjunto. No reemplace las aspas aerodinámicas individuales.
El ventilador hace demasiado ruido mientras está funcionando.	<p>Detenga por completo el ventilador.</p> <ul style="list-style-type: none">• Haga girar suavemente las aspas aerodinámicas de forma manual y asegúrese de que ninguna parte del ventilador esté rozando contra el cubo mientras el ventilador está girando.• Revise todos los accesorios de montaje y del ventilador. Apriételos en caso de estar sueltos.
Debo reiniciar el ventilador.	Mantenga presionado el botón de encendido/apagado del ventilador en el control remoto hasta que los indicadores LED del ventilador comiencen a parpadear. Una vez que los LED hayan parpadearado durante 30 segundos, oprima nuevamente el botón de encendido/apagado. Cuando los LED hayan dejado de parpadear, significará que el ventilador se ha reiniciado.

Problema	Solución
El control remoto no controla el ventilador/la luz.	Desconecte la alimentación que va hacia el ventilador desde el interruptor de pared o disyuntor. Espere 30 segundos y vuelva a conectarla. Pruebe el funcionamiento del ventilador y la luz con el control remoto. Si el ventilador o la luz aún no funcionan con el control remoto, comuníquese con el servicio al cliente.
Necesito quitar la cubierta del cableado del ventilador.	<p>Utilice un objeto largo y delgado, como una llave Allen pequeña o la punta de un bolígrafo, para presionar la lengüeta empotrada de la tapa del cableado. Mientras presiona la lengüeta, gire la cubierta en sentido contrario a las agujas del reloj y deslícela hacia abajo para retirarla.</p>  <p>Cubierta del cableado</p>

MANTENIMIENTO

ADVERTENCIA

Riesgo de incendio, descarga eléctrica o lesión a las personas al limpiar o realizar el mantenimiento del aparato. Desconéctelo de la fuente de alimentación antes de efectuar estos servicios.

Realice los siguientes procedimientos de mantenimiento preventivo de forma anual para garantizar un funcionamiento seguro y eficiente de su ventilador.

Verifique el cable de seguridad, los accesorios y el cableado

- ✓ Verifique que el cable de seguridad esté correctamente instalado deslizando la cubierta del cableado hacia abajo de la varilla y examinando el cable de seguridad y los accesorios.
- ✓ Asegúrese de que los accesorios de montaje y los tornillos que fijan las aspas aerodinámicas al motor estén bien ajustados.
- ✓ Verifique que los conectores de cables estén bien asegurados y que el cable de tierra esté debidamente conectado.

Limpie las aspas aerodinámicas

Retire el polvo de las aspas aerodinámicas regularmente. Si el ventilador se ensucia, límpielo con un paño suave. No use solventes, gasolina ni ningún otro limpiador que contenga sustancias químicas. Estos podrían causar deformaciones en la superficie y daños al ventilador.

Limpieza de la luz

Limpie la lente de la luz periódicamente para garantizar un desempeño óptimo. Limpie la lente con un paño suave. Si es necesario, use agua y jabón o un limpiador líquido suave. No limpie la luz o el lente con estropajos, sustancias alcalinas de limpieza, gasolina, disolvente, benceno, combustible para calefacción ni polvos para pulir.

Funcionamiento del ventilador

El ventilador debe operarse dentro del rango de temperatura ambiente nominal de funcionamiento: 0 a 40 °C (32 a 104 °F).



Para obtener más información sobre el funcionamiento, el mantenimiento y la resolución de problemas, visite www.bigassfans.com/support

CONTÁCTENOS

Estados Unidos

2348 Innovation Drive
Lexington, KY 40511
Estados Unidos
877-244-3267
Fuera de Estados Unidos (+1 859-233-1271)
bigassfans.com

Australia

35 French Street
Eagle Farm, Brisbane
QLD 4009
Australia
+61 1300 244 277
bigassfans.com/au

Singapur

50 Ubi Crescent
#01-01 Ubi TechPark
Singapur 408568
+65 6709 8500
bigassfans.com/sg

Todas las demás regiones

+1 859-410-6286
bigassfans.com

Canadá

2180 Winston Park Drive
Oakville, Ontario L6H 5W1
Canadá
1 844-924-4277
bigassfans.com/ca

México

CEBSA (Corporación Eléctrica del
Bravo SA de CV)
Avenida Ind. Rio San Juan
Lote 3-A Parque Industrial del Norte
Reynosa, Tamps C.P. 88736
+52 1 899 925 6398
<http://cebsainc.com/>

Gomez & Hilman Home Appliances
SA de CV
Calle Valerio González, No. 714,
Col. Primero de Mayo, Los Cabos,
Baja California, C.P. 23406, México
Oficina: 624-688-3889

La información incluida en este documento está sujeta a cambios sin previo aviso. Para obtener la información más actualizada, consulte la guía de instalación para imprimir en línea en www.bigassfans.com/support

Haiku® es una marca comercial de Delta T LLC, registrada en EE. UU. y en otros países.

Google Play es una marca comercial de Google LLC.

www.bigassfans.com/patents · www.bigassfans.com/product-warranties

© 2023 DELTA T LLC. TODOS LOS DERECHOS RESERVADOS.



BIG ASS FANS[®]

bigassfans.com



HKU-INST-411-MUL-01
REV. C 12/05/2023