

location:
WET

SPECIFICATIONS:

DESCRIPTION

Outdoor wall sconce features handcrafted European glass.

LAMPING

Standard: 75W A19 120V, lamps not included.

CFL: 13W CFL 120V, lamps not included.

GU24 CFL: Self-ballasted GU24 lampholders. 13W max, 120V, lamps not included.

DIFFUSER

Glass diffuser is molded glass in Black or Bronze decor, with a warm Smoke tint. Dimensions are 5.25" W x 9.5" H x 4" D.

CONSTRUCTION

Stamped Stainless steel fitter. Glass is secured by stainless steel set screws.

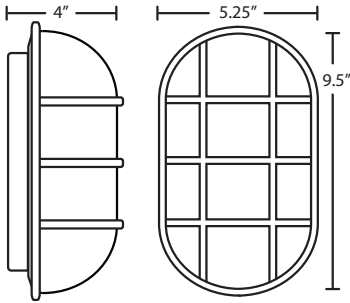
MOUNTING

Installs directly to a 4" octagonal outlet box, centered on fixture. 75°C supply wire required for incandescent lamping.

LABELS

UL or ETL Listed. Suitable for Wet Locations.

May be used in Interior or Exterior applications.



396197
Bronze/Smoke

396156
Black/Smoke

ORDERING:

3 | 9 | 6 | 1 | | - | | | |

DECOR

- 56 Black/Smoke
- 97 Bronze/Smoke

LAMPING

- (Blank) 1x 75W A19 (Incan)
- D1 1x 13W CFL
- GU24 1x GU24, 13W max

Project Information:

All dimensions provided are nominal. Allowance must be made for dimensional tolerance in handcrafted glasses.

REV 7/13